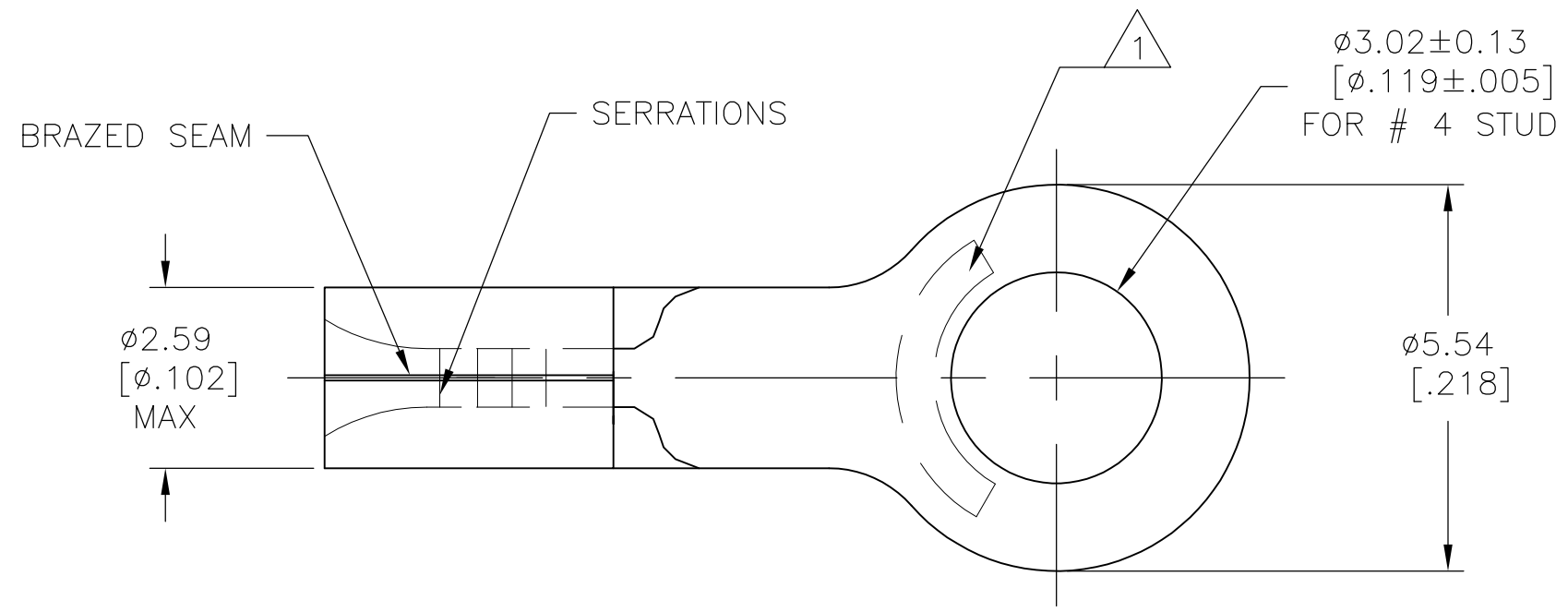


THIS DRAWING IS UNPUBLISHED. RELEASED FOR PUBLICATION
 © COPYRIGHT - By - ALL RIGHTS RESERVED.

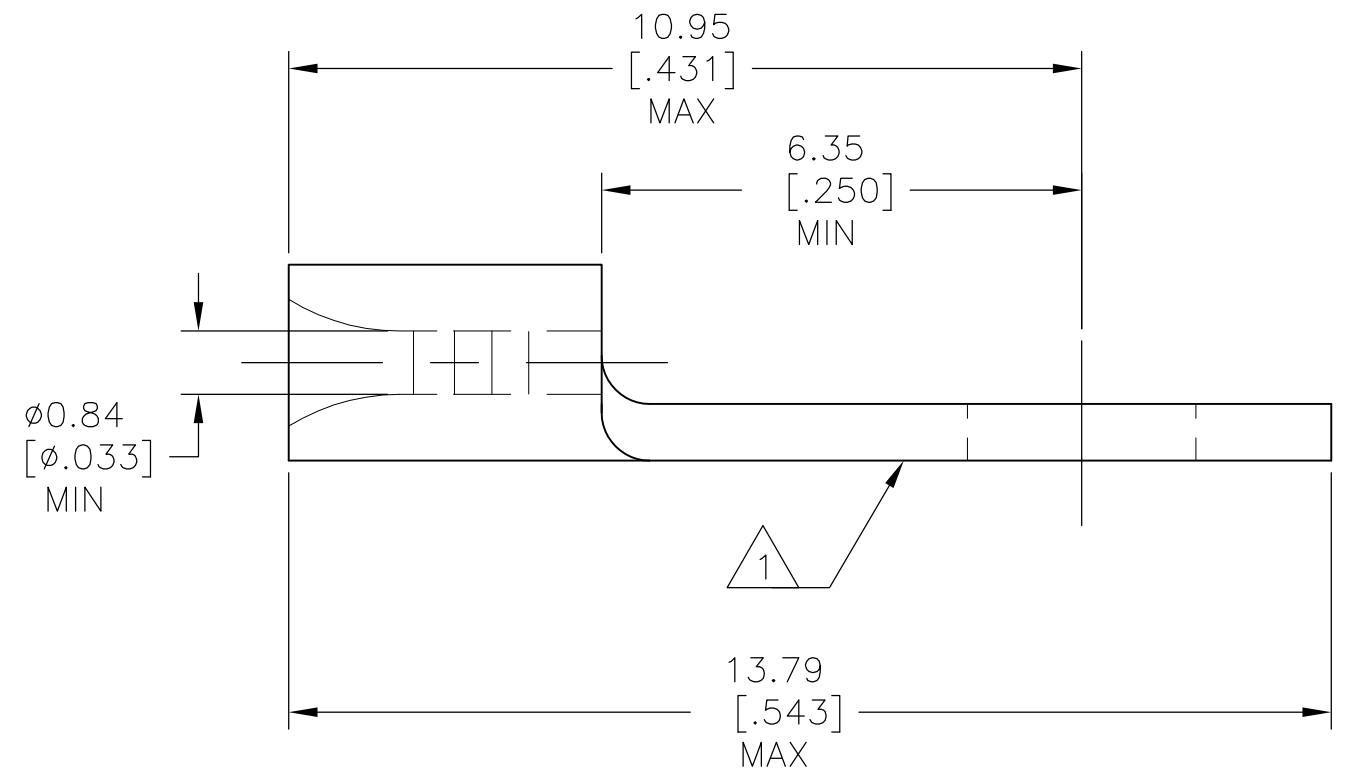
LOC	DIST	REVISIONS					
G	14	P	LTR	DESCRIPTION	DATE	DWN	APVD
		A		NEW DRAWING PER ECO-11-006765	01APR11	HMR	DR



AMP
WIRE RANGE

22* AWG
SOLID OR STRANDED

- 1 STAMP AMP 22 APPROX AS SHOWN
- 2 TONGUE MATERIAL THK, 0.76 ± 0.03 [.030 ± .001]



500	LOOSE PIECE	152651
QTY	PACKAGE TYPE	PART NO

AMP INCORPORATED
CUSTOMER SERVICE SYSTEM

FOR ADDITIONAL PRODUCT INFORMATION OR COPIES OF DRAWINGS AND TECHNICAL DOCUMENTS
 PRODUCT INFORMATION CENTER
 1-800-522-6752

FOR APPLICATION TOOLING INFORMATION
 TOOLING ASSISTANCE CENTER
 1-800-722-1111

FOR ORDER ENTRY
 1-800-526-5142

MAX RECOMMENDED OPERATING TEMPERATURE:
 343°C [650°F]

VOLTAGE RATING:
 -

CIRCULAR MIL AREA:
 0.26mm^2 [509]

THIS DRAWING IS A CONTROLLED DOCUMENT.

DIMENSIONS: mm [INCHES]

TOLERANCES UNLESS OTHERWISE SPECIFIED:

0 PLC	± -
1 PLC	± -
2 PLC	± 0.20 [.008]
3 PLC	± -
4 PLC	± -
ANGLES	± -

MATERIAL: COPPER PER ASTM-B-152

FINISH: NICKEL PLATE PER SAE AMS QQ-N-290

DWN RAGHAVENDRA 01APR11
 CHK ROHDE DANIEL 01APR11
 APVD ROHDE DANIEL 01APR11

PRODUCT SPEC -
 APPLICATION SPEC -
 WEIGHT -

STE TE Connectivity

NAME: TERMINAL, RING TONGUE STRATO-THERM

SIZE	CAGE CODE	DRAWING NO	RESTRICTED TO
A3	00779	C-152651	-

CUSTOMER DRAWING SCALE 10:1 SHEET 1 OF 1 REV A