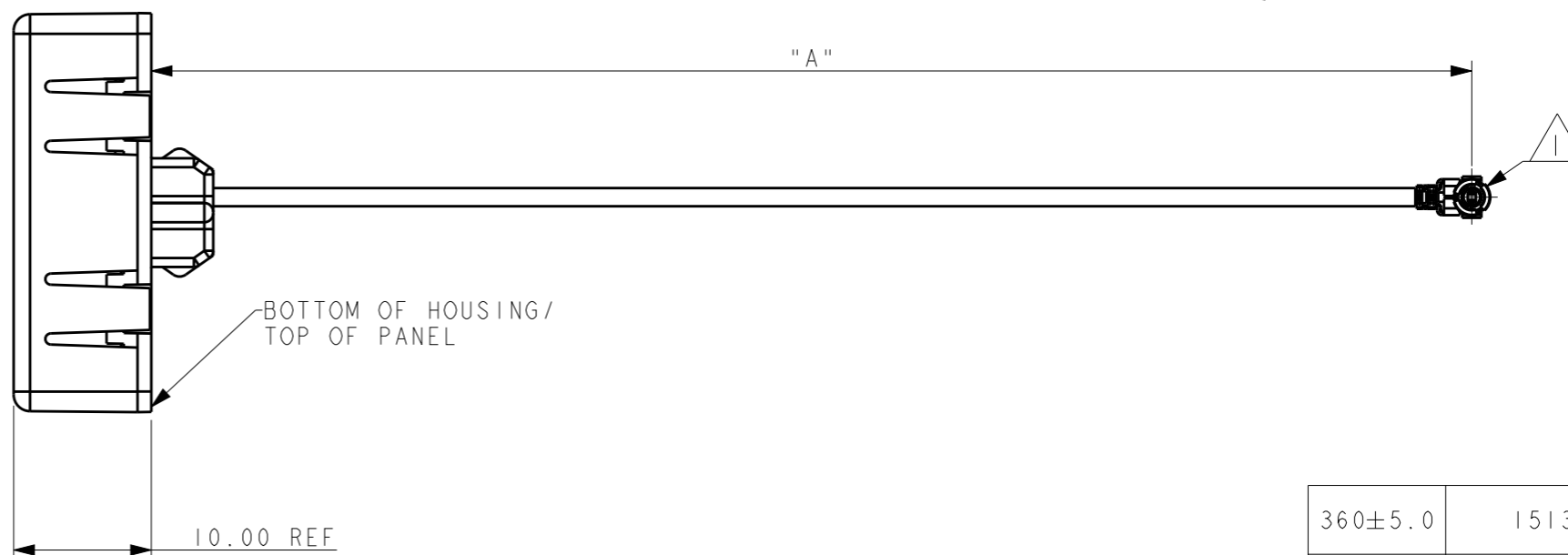
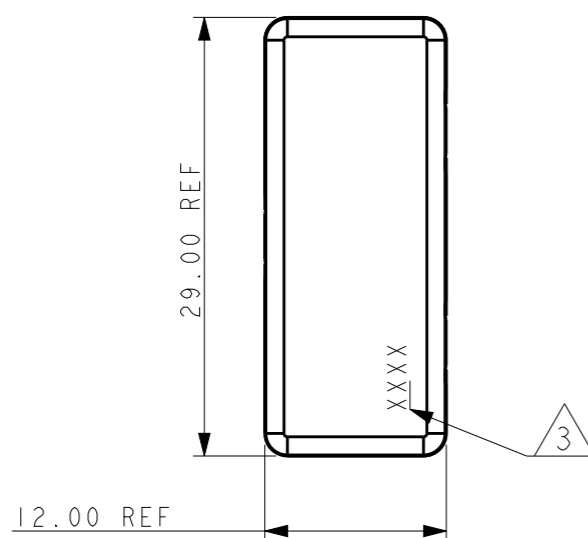
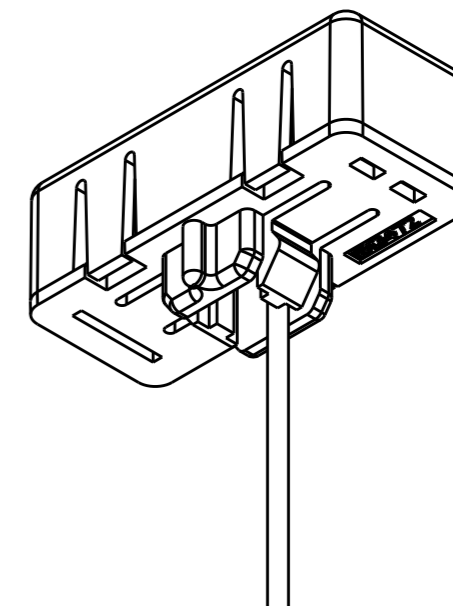
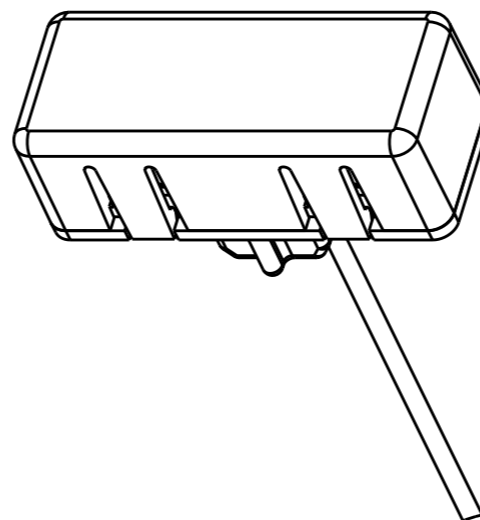
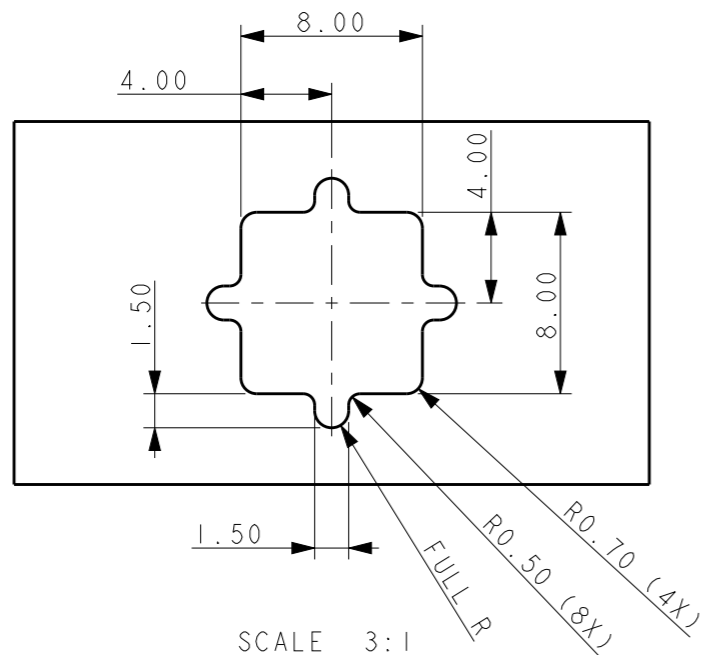


REVISIONS

P	LTR	DESCRIPTION	DATE	DWN	APVD
B		REV PER ECO 10-022420	02NOV2010	DW	GG
B1		MATCH PROD REVISION	05OCT2012	DW	GG
B2		ADD 2- -1 AND 2- -2 ASSY	18APR2017	JPS	JLM
B3		REMOVE -21 AND -22 ASSY'S	28APR2017	JPS	JLM

PANEL CUTOUT DIMENSIONS

(Tolerances .XX ±0.10)



360±5.0	1513472-5
595±5.0	1513472-1
A	PART NUMBER

NOTES: UNLESS OTHERWISE SPECIFIED.

1 MINI COAX CABLE DIAMETER 1.13 mm TERMINATED WITH U.FL CONNECTOR.

2. PRODUCT AND PROCESSING MEETS REQUIREMENTS OF TE CONNECTIVITY ENVIRONMENTAL STANDARD TEC-138-702.

3 4 DIGIT DATE CODE

4. FOR DESIGNS UTILIZING 1513472-1 OR 1513472-5 PLEASE SEE TYCO ELECTRONICS DSI513472-1 OR DSI513472-5 RESPECTIVELY

THIS DRAWING IS A CONTROLLED DOCUMENT.

DWN APV 25FEB2009

CHK -

APVD -

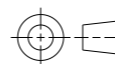
PRODUCT SPEC -

APPLICATION SPEC -

WEIGHT -

CUSTOMER DRAWING

DIMENSIONS:  
mm



TOLERANCES UNLESS OTHERWISE SPECIFIED:

0 PLC	±-
1 PLC	±-
2 PLC	±-
3 PLC	±-
4 PLC	±-
ANGLES	±-

MATERIAL -

FINISH -



TE Connectivity

NAME UNIVERSAL ANTENNA MODULE (UAM) WLAN

SIZE CAGE CODE DRAWING NO RESTRICTED TO

A300779 C-1513472

SCALE 2:1 SHEET 1 OF 1 REV B3