

THIS DRAWING IS UNPUBLISHED.

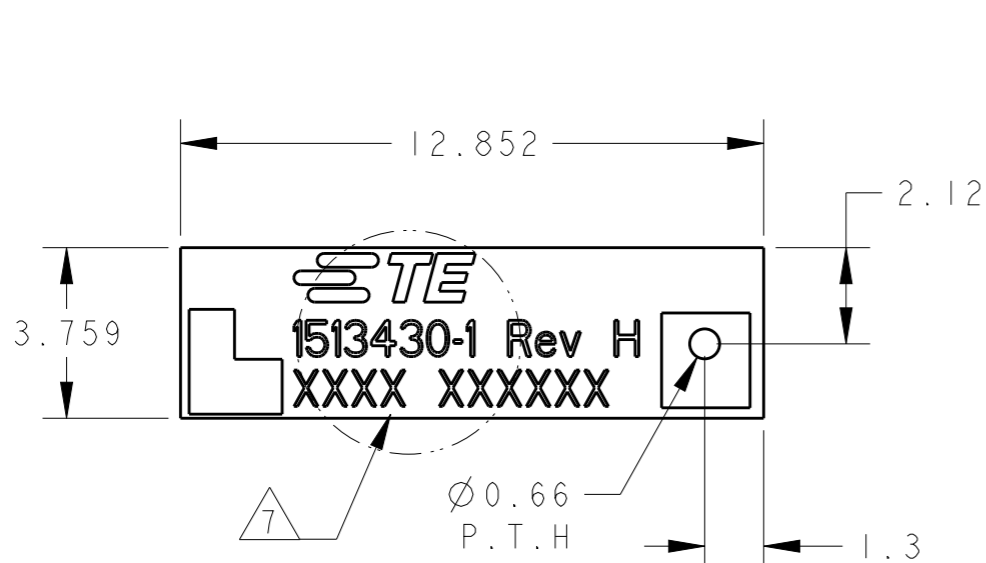
RELEASED FOR PUBLICATION

20

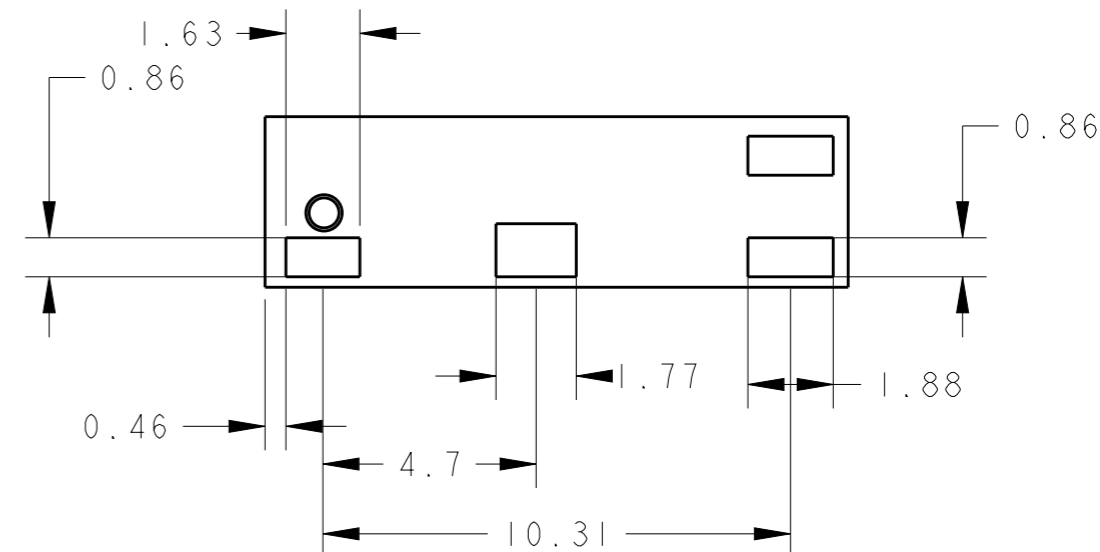
© COPYRIGHT 20 BY TYCO ELECTRONICS CORPORATION ALL RIGHTS RESERVED.

REVISIONS

P	LTR	DESCRIPTION	DATE	DWN	APVD
	G	REV PER ECO-15-002516	19FEB2015	KF	PG
	H	REV PER ECO-20-009357	03JUL2020	SJ	JH



0.79 OVERALL THICKNESS




1513430-2 AS SHOWN

NOTES: UNLESS OTHERWISE SPECIFIED.

- FABRICATE TO MEET IPC - 6013, CLASS 2. INSPECT TO MEET IPC - A - 600, CLASS 2.
- MATERIAL : FR-4 PCB. THK 0.76
- FINISH:
A: SOLDERMASK BOTH SIDES COLOR: ORANGE.
B: ENIG PLATING.
- GENERAL TOLRANCES : ±0.2.
- PACKAGING: SINGULATED PARTS TO BE SECURELY SHRINK WRAPPED, BAGGED OR VACUUM PACKED IN BULK FOR TAPE AND REEL, SEE SHEET 2.
- CONSULT TE CONNECTIVITY DATA SHEET DSI513430.
- SILKSCREEN; WHITE EPOXY INK.
A. TE LOGO, TE P/N
B. WORD REV., FOLLOWED BY THE LATEST REVISION LETTER, AS SHOWN.
C. 4 DIGIT DATE CODE: FIRST 2 DIGITS FOR THE WEEK CODE AND THE 2ND TWO DIGITS FOR THE YEAR CODE. OTHERS : SPECIFIC TE INTERNAL USE ONLY.

BULK PACKAGED	1513430-2
TAPE AND REELED	1513430-1
PACKAGING	PART NUMBER

THIS DRAWING IS A CONTROLLED DOCUMENT.		DWN VG 19DEC2007	 TE Connectivity				
DIMENSIONS: INCHES		CHK -					
TOLERANCES UNLESS OTHERWISE SPECIFIED:		APVD -	NAME 802.11b Diversity Antenna				
0 PLC ±- 1 PLC ±- 2 PLC ±- 3 PLC ±- 4 PLC ±- ANGLES ±-		PRODUCT SPEC -					
MATERIAL -		APPLICATION SPEC -	SIZE A3	CAGE CODE -	DRAWING NO. ©=1513430	RESTRICTED TO	
FINISH -		WEIGHT -	CUSTOMER DRAWING		SCALE 6:1	SHEET 1 OF 2	REV H

THIS DRAWING IS UNPUBLISHED.

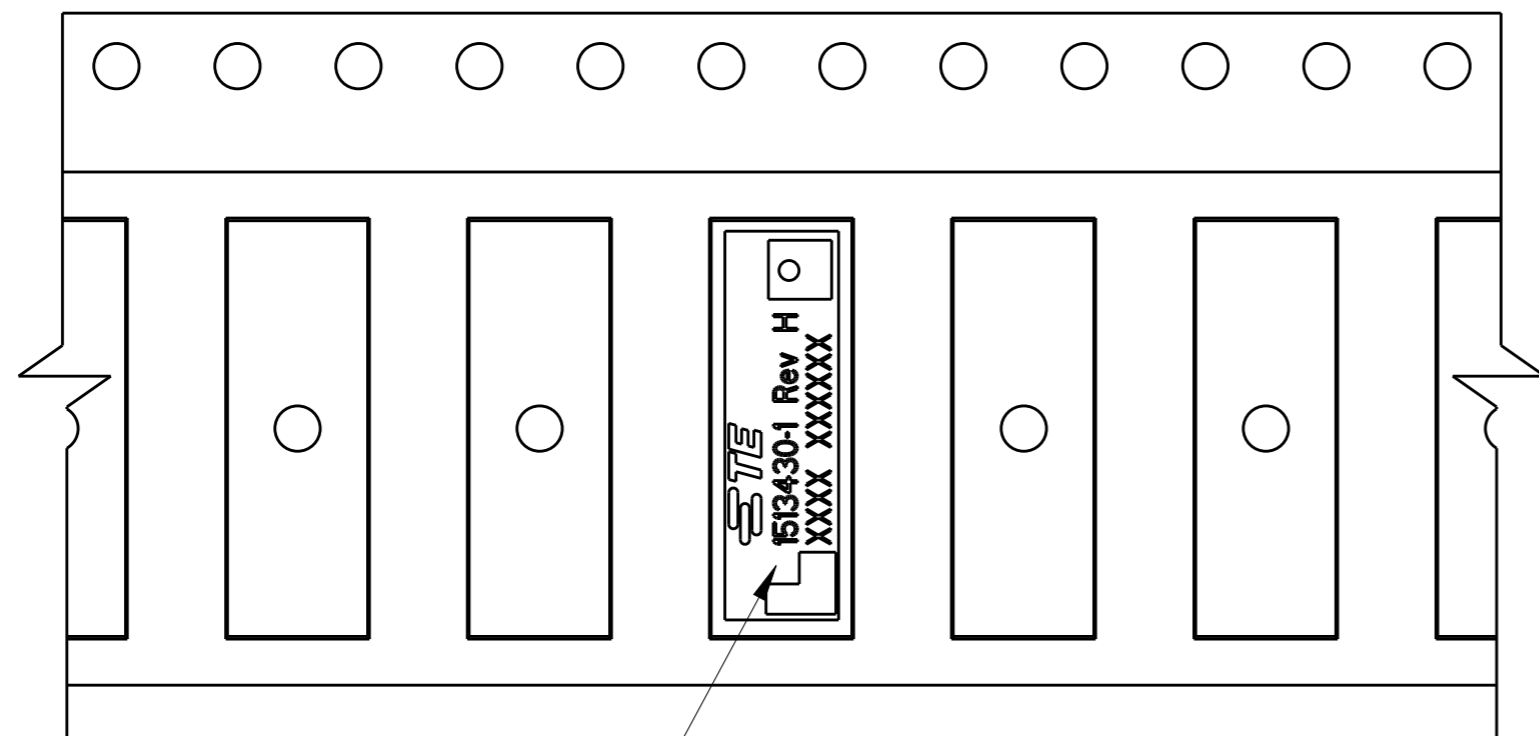
RELEASED FOR PUBLICATION

20

© COPYRIGHT 20 BY TYCO ELECTRONICS CORPORATION ALL RIGHTS RESERVED.

REVISIONS

P	LTR	DESCRIPTION	DATE	DWN	APVD
-		SEE SHEET 1	-	-	-


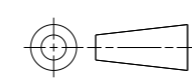


SEE NOTE 2

P/N 1513430-1 AS SHOWN

NOTES:

- 1. UNLESS OTHERWISE SPECIFIED.
- 2. ORIENT PARTS AS SHOWN.

THIS DRAWING IS A CONTROLLED DOCUMENT.		DWN VG 19DEC2007	 TE Connectivity				
DIMENSIONS: INCHES		CHK -					
		APVD -	NAME 802.11b Diversity Antenna				
		TOLERANCES UNLESS OTHERWISE SPECIFIED:		PRODUCT SPEC -			
MATERIAL -		FINISH -	APPLICATION SPEC -	SIZE A3	CAGE CODE -	DRAWING NO. 1513430	RESTRICTED TO
			WEIGHT -	SCALE 4:1		SHEET 2 OF 2	REV H
			CUSTOMER DRAWING				