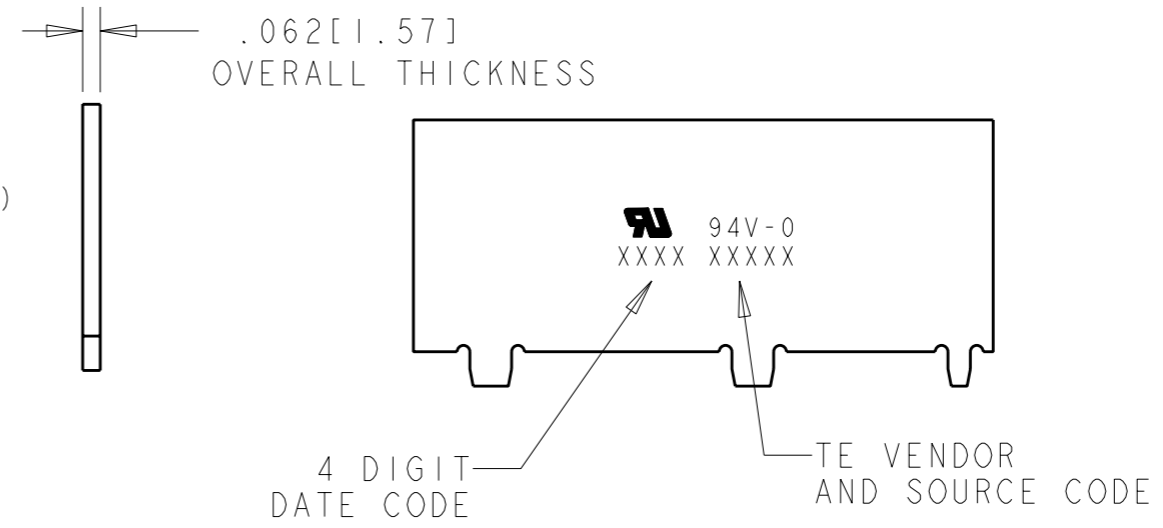
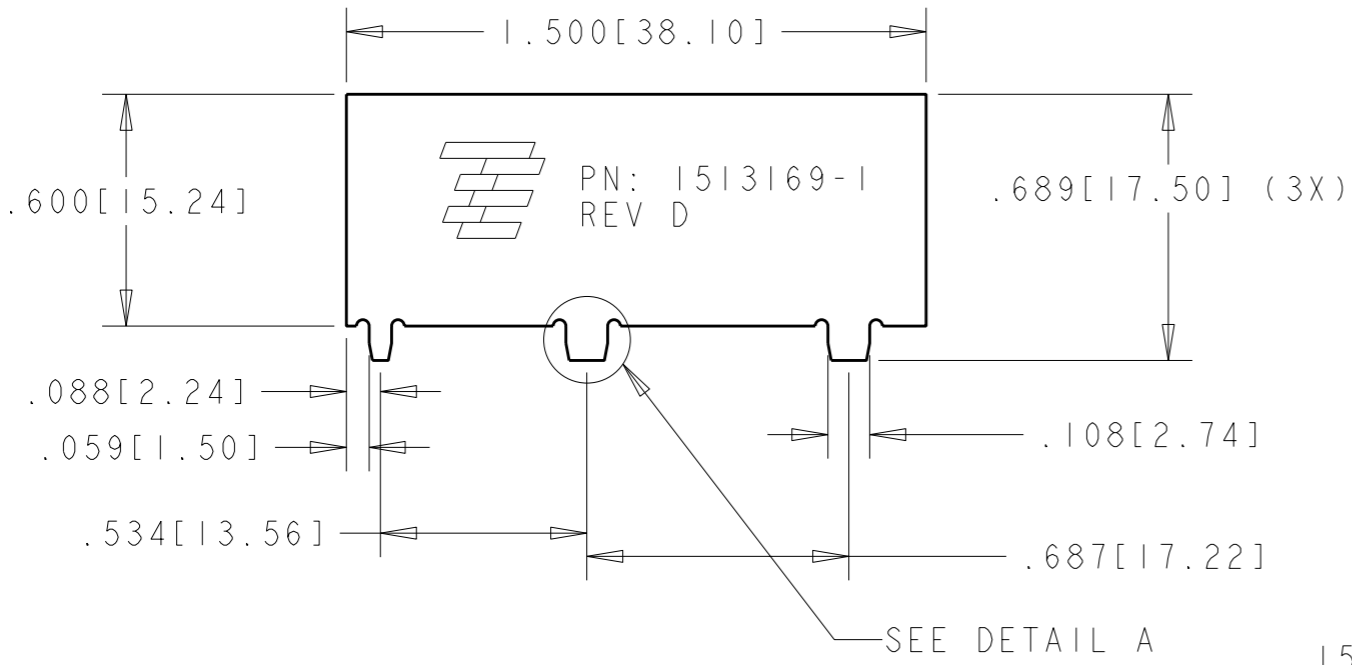


THIS DRAWING IS UNPUBLISHED. RELEASED FOR PUBLICATION 20
 © COPYRIGHT 20 BY TYCO ELECTRONICS CORPORATION. ALL RIGHTS RESERVED.

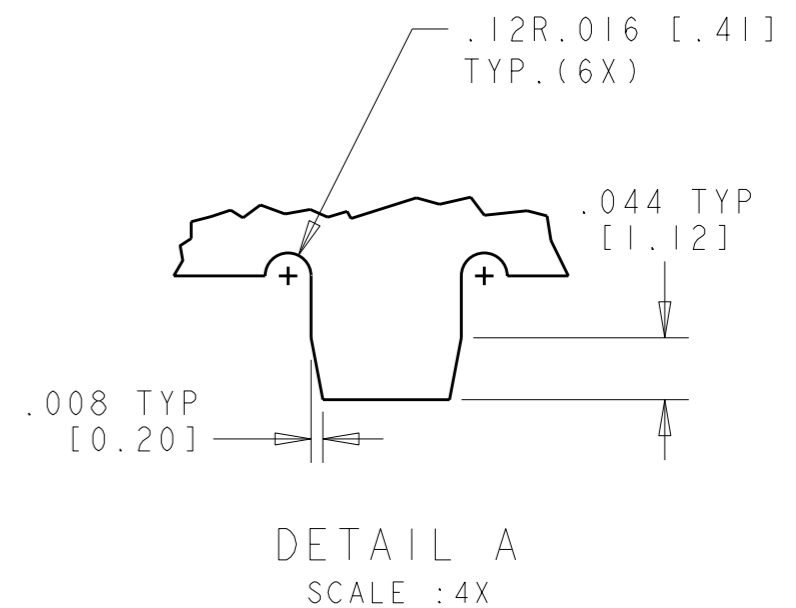
LOC	DIST	REVISIONS				
P	LTR	DESCRIPTION	DATE	DWN	APVD	
HQ	00	A	Release to Production	28APR2003	MAH	MAH
		B	Update PN identification	12MAY2003	MAH	MAH
		C	Updated notes	04JAN2008	VG	MAH
		D	Add Mounting Layout / Update Notes	28JUL2009	APV	APV



1513169-1 AS SHOWN

NOTES: UNLESS OTHERWISE SPECIFIED.

- FABRICATE TO MEET IPC - 6012, CLASS 2. INSPECT TO MEET IPC - A - 600, CLASS 2.
- PRIMARY AND SECONDARY SIDES SHOWN.
- MATERIAL: GETEK 8 PLY (7628) 1.49 THK. GRADE RG200D 1/2 OZ. COPPER BOTH SIDES. DIELECTRIC CONSTANT @ 1MHZ 4.2±0.1.
- FINISH:
 A: SOLDERMASK OVER BARE COPPER (SMOBC).
 B: MASK BOTH SIDES OF PCB WITH LPI SOLDERMASK. SOLDERMASK COLOR: NATURAL GREEN.
 C: TOP AND BOTTOM OF TABS E.N.I.G PLATING
- THREE PLACE TOLERANCES: ±.009 [0.23]
- PACKAGING: SINGULATED PARTS TO BE VACUUM PACKED IN BULK.
- PARTS ARE COMPLIANT TO ROHS STANDARDS PER TYCO ELECTRONICS STANDARD TEC-138-702.
- CONSULT TYCO ELECTRONICS DATA SHEET DS1513169
- CONTACT TYCO ELECTRONICS ENGINEERING PRIOR TO DESIGNING INTO AN APPLICATION



THIS DRAWING IS A CONTROLLED DOCUMENT FOR TYCO ELECTRONICS CORPORATION IT IS SUBJECT TO CHANGE AND THE CONTROLLING ENGINEERING ORGANIZATION SHOULD BE CONTACTED FOR THE LATEST REVISION.		DWN MAH 28APR2003	Tyco Electronics Rochester, NY 14623	
DIMENSIONS: INCHES [mm]		CHK -	NAME 800 MHz Cellular Antenna	
TOLERANCES UNLESS OTHERWISE SPECIFIED: 0 PLC ± 1 PLC ± 2 PLC ± 3 PLC ± 4 PLC ± ANGLES ±		APVD -	RESTRICTED TO -	
MATERIAL -		PRODUCT SPEC -	SIZE A3	CAGE CODE 00779
FINISH -		APPLICATION SPEC -	DRAWING NO C-1513169	REV D
CUSTOMER DRAWING		WEIGHT -	SCALE 2:1	SHEET 1 OF 1