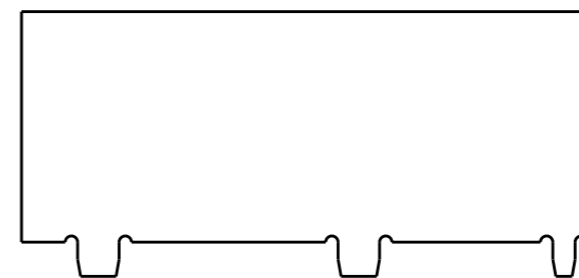
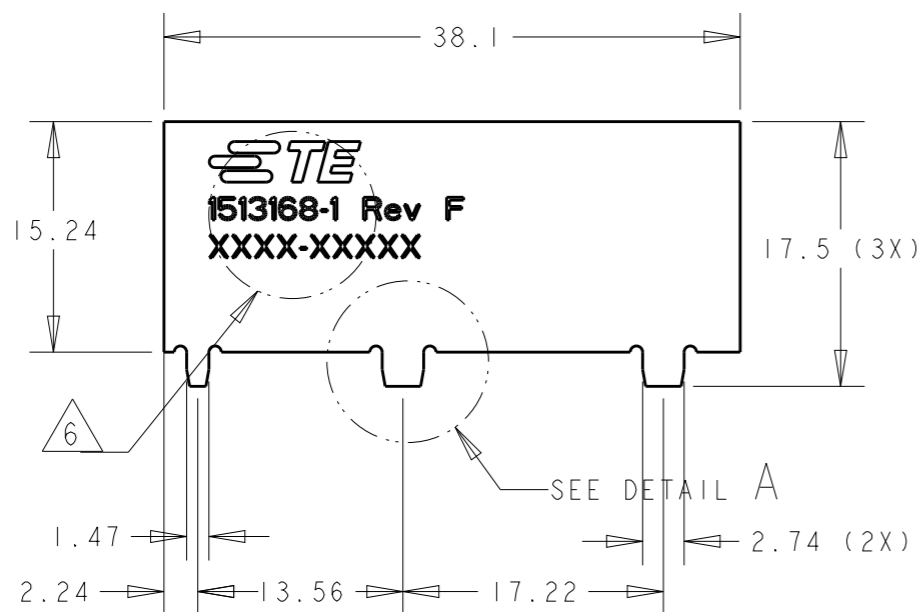
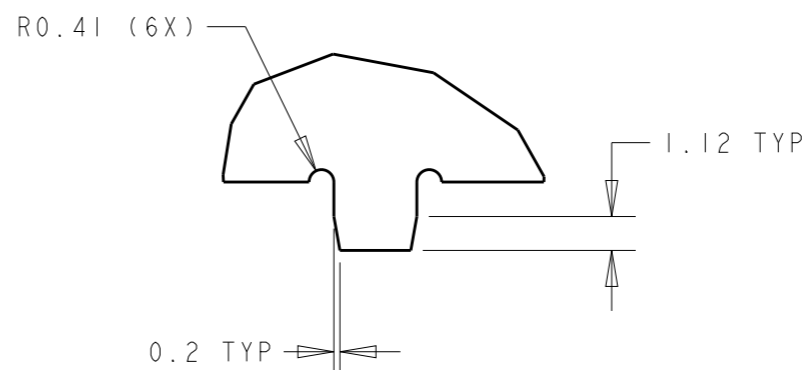


REVISIONS

P	LTR	DESCRIPTION	DATE	DWN	APVD
	D	UPDATE NOTES/ LOGO	11MAY2020	SJ	JH
	F	REVISED PER ECO-20-006487	11MAY2020	SJ	JH



1513168-1 AS SHOWN



DETAIL A SCALE 4:1

NOTES: UNLESS OTHERWISE SPECIFIED.

- FABRICATE TO MEET IPC - 6013, CLASS 2. INSPECT TO MEET IPC - A - 600, CLASS 2.
- MATERIAL : FR-4 PCB.
- FINISH:
A: SOLDERMASK BOTH SIDES: ORANGE.
B: ENIG PLATING.
- PACKAGING: SINGULATED PARTS TO BE SECURELY SHRINK WRAPPED, BAGGED OR VACUUM PACKED IN BULK.
- CONSULT TE CONNECTIVITY DATA SHEET DSI513168.
- SILKSCREEN; WHITE EPOXY INK.
A. TE LOGO, TE P/N
B. WORD REV., FOLLOWED BY THE LATEST REVISION LETTER, AS SHOWN.
C. 4 DIGIT DATE CODE: FIRST 2 DIGITS FOR THE WEEK CODE AND THE 2ND TWO DIGITS FOR THE YEAR CODE.
5 DIGIT CODE: SPECIFIC TE SOURCE CODE NUMBER DIGITS AS REQUIRED.

THIS DRAWING IS A CONTROLLED DOCUMENT.		DWN DJI	02NOV2005	TE TE Connectivity	
DIMENSIONS: mm		CHK -	APVD -		
TOLERANCES UNLESS OTHERWISE SPECIFIED: 0 PLC ± 1 PLC ± 2 PLC ± 3 PLC ± 4 PLC ± ANGLES ±		PRODUCT SPEC -	APPLICATION SPEC -	SIZE A3	CAGE CODE 00779
MATERIAL material_2		FINISH finish_spec_2	WEIGHT -	DRAWING NO C-1513168	RESTRICTED TO
CUSTOMER DRAWING				SCALE 2:1	SHEET 1 OF 1
				REV F	