

4

3

2

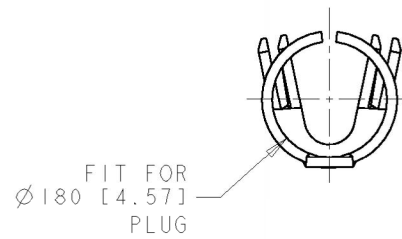
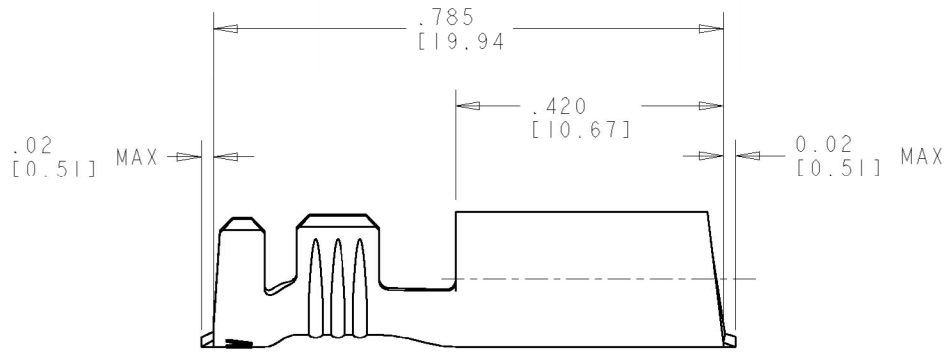
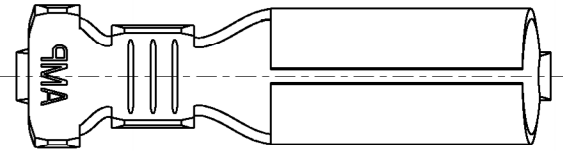
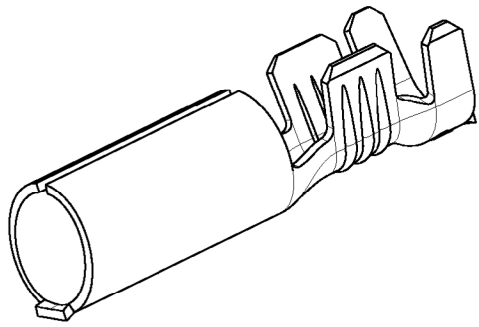
1

THIS DRAWING IS UNPUBLISHED. RELEASED FOR PUBLICATION 09-Aug-01
© COPYRIGHT 2001 BY TYCO ELECTRONICS CORPORATION. ALL RIGHTS RESERVED.

LOC E DIST B

REVISIONS

P	LTR	DESCRIPTION	DATE	DWN	APVD
G		EB00-0306-01	09AUG2001	AJB	-
G1		REVISED PER ECR-19-012081	05AUG2019	PC	GG



	PHOSPHOR BRONZE TEMPER 4	150557-5	2
OBSOLETE	RED BRASS, TEMPER 6	150557-4	
OBSOLETE	PHOSPHOR BRONZE, TEMPER 2	150557-3	
	PHOSPHOR BRONZE, TEMPER 4	150557-0	
	FINISH	MATERIAL	PART NUMBER

1. WIRE CRIMP TO SUIT 16 - 12 AWG
 INSULATION CRIMP TO SUIT DIA .120-.170 [3.04 - 4.32]
 2 150557-5 FOR TYCO BRAZIL ONLY.

<small>THIS DRAWING IS A CONTROLLED DOCUMENT FOR TYCO ELECTRONICS CORPORATION IT IS SUBJECT TO CHANGE AND THE CONTROLLING ENGINEERING ORGANIZATION SHOULD BE CONTACTED FOR THE LATEST REVISION.</small>	
DIMENSIONS: INCH [mm]	TOLERANCES UNLESS OTHERWISE SPECIFIED: LINEAR ±0.5 Ø PLC ±0.1 I PLC ±0.1 S PLC ±0.05 PLC ± ANGLES ±0.5
MATERIAL SEE TABLE	FINISH -

DWN A.J.BEKEN 09AUG2001					
CHK - 09AUG2001					
APVD - 09AUG2001	NAME SHUR PLUG RECEPTACLE .180 [4.57] DIA	SIZE A3	CAGE CODE 00779	DRAWING NO C-150557	RESTRICTED TO -
PRODUCT SPEC -	APPLICATION SPEC -	WEIGHT -	CUSTOMER DRAWING		
SCALE 5:1			SHEET 1	OF 1	REV G1