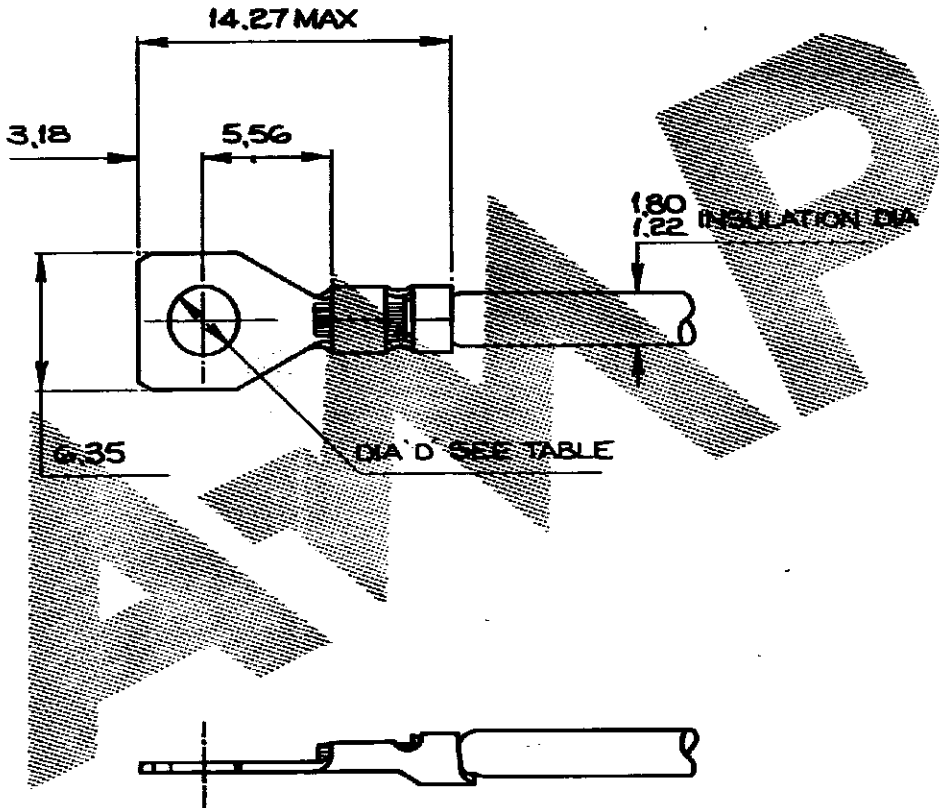


DO NOT SCALE

DIMENSIONS IN m.m.



NUMBER
150542



	4.34	NONE	BRASS	150542 - 4
OBSOLETE	3.68	PRE-TIN	BRASS	150542 - 3
	3.68	TIN PLATED	BRASS	150542 - 2
	3.68	NONE	BRASS	150542
	DIA 'D'	FINISH	MATERIAL	PART NUMBER

CUSTOMER DWG FOR REFERENCE ONLY		THIS DRAWING IS UNPUBLISHED		RELEASED FOR PUBLICATION 7-4-1960	
D1 REVISED PER ECR-17-016303		BDA 15NOV2017		TOLERANCES UNLESS OTHERWISE STATED: -	
D 150542 OBSOLETE		A 150542		INS. DIA. RANGE 1.22 - 1.80	
C REDRAWN (C1912)		A 150542		WIRE RANGE 24 - 20	
B - 4 ADDED		- 2-10-70		SCALE N.T.S.	
A - 3 ADDED		- 22-10-45		TE Connectivity	
ISS REVISION RECORD		DR DATE			
DR DATE		APP. D.A. BARRETT		A4 LOC. DWG. NO. SHEET E E C150542 1 of 1	

PRINT DIST.