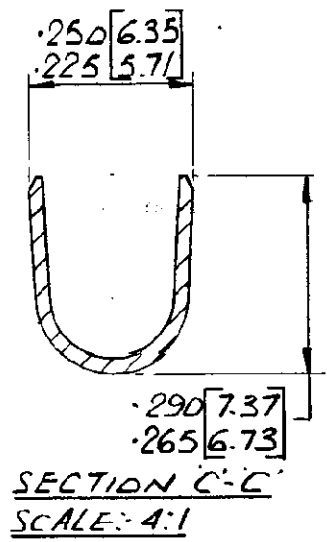
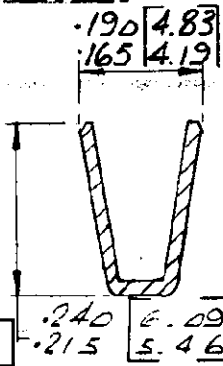
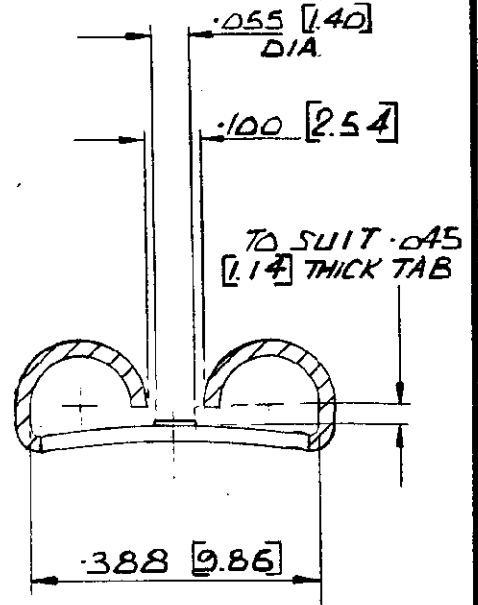
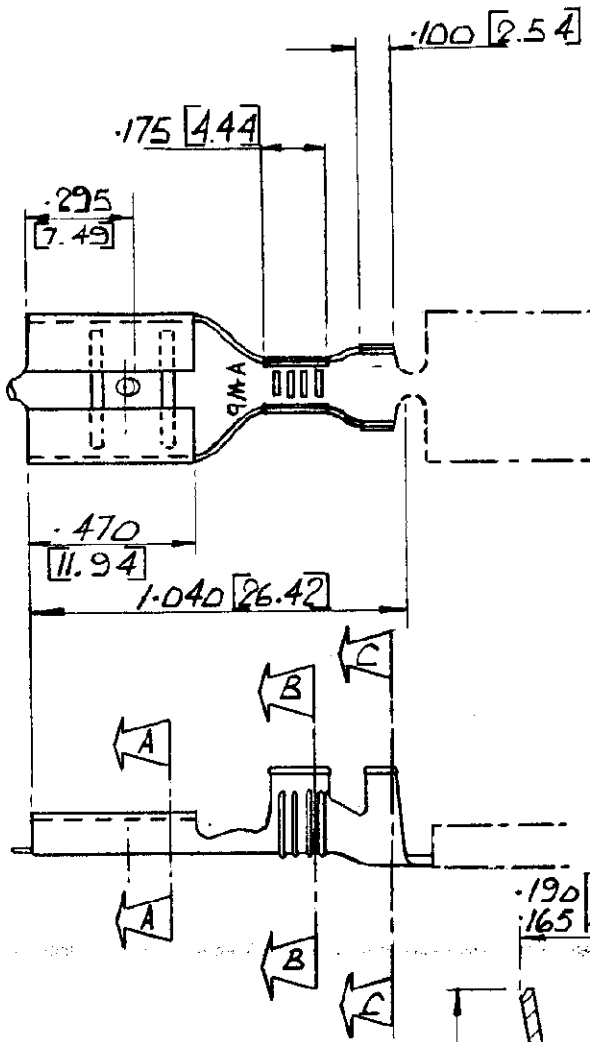


C-150530

3rd ANGLE (AMERICAN) PROJECTION

1 DIMENSIONS IN INCHES. DO NOT SCALE PRINT DIMENSIONS THUS [] IN MM.

2 PREPRODUCTION ONLY- FASR REQUIRED.



150530-3	2 NICKEL	BRASS	-
150530-2	NONE	PHOS. BRZ.	-
150530-1	ELECT-TIN	BRASS	150270-1
150530	NONE	BRASS	150270
PART N°	FINISH	MATERIAL	LOOSE PIECE

AB	REVISED PER ECR-18-010805	BDA	DH	18JUL2018
F1	REVISED PER ECO-11-005294	RK	HMR	12APR11
LTR	REVISION RECORD	DR	CHK	DATE

CUSTOMER COPY REFERENCE ONLY

TE TE Connectivity

MATERIAL AND FINISH
 .020 [0.51] STOCK THICKNESS
 SEE TABLE

CLASS WT-R

WIRE - RANGE - INSULATION
 2-6mm² .160-.210

TYPE AUTOMATIC

TOLERANCE EXCEPT AS NOTED
 ± .015 [0.38] ± 1°

SCALE 2:184:1

LOC E NO A C-150530 REV AB

NAME EASTON RECEPTACLE '375 [9.52] SERIES'

DR C. SLOUGH DE
 CHK K. STEVENS 11/17/14 APP [Signature] 9/78