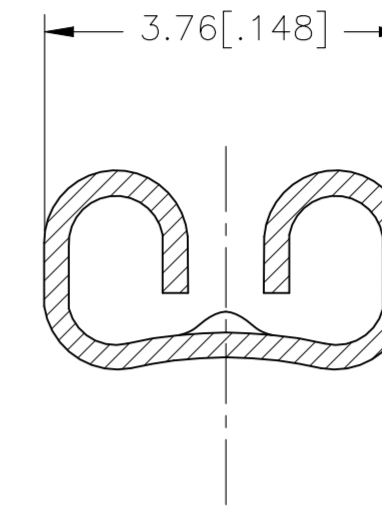
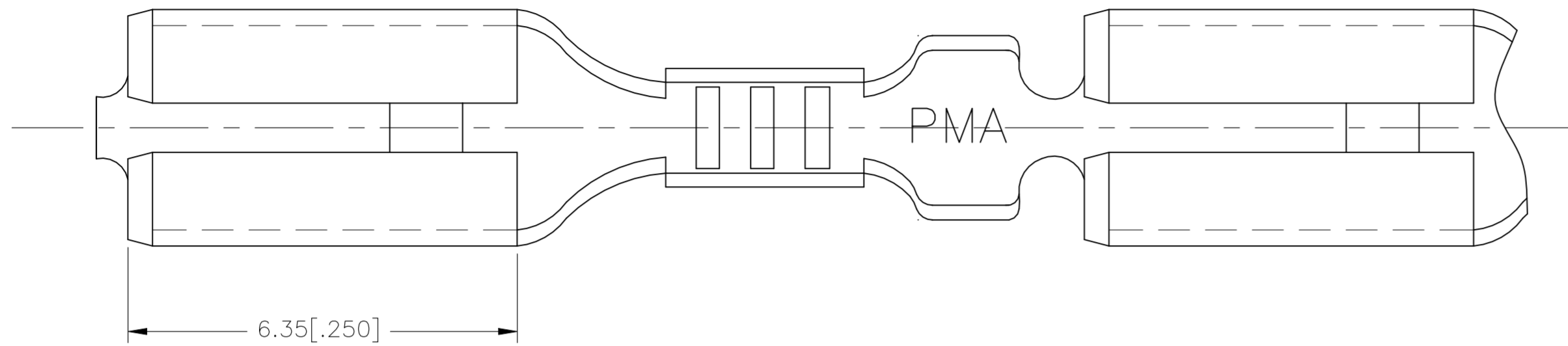
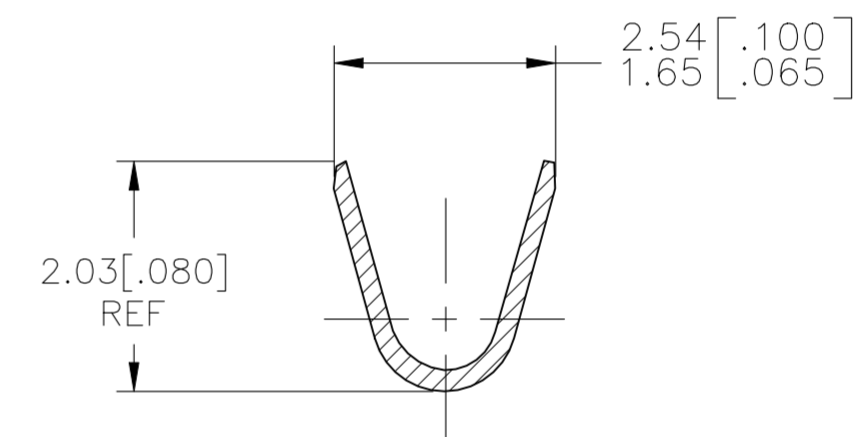
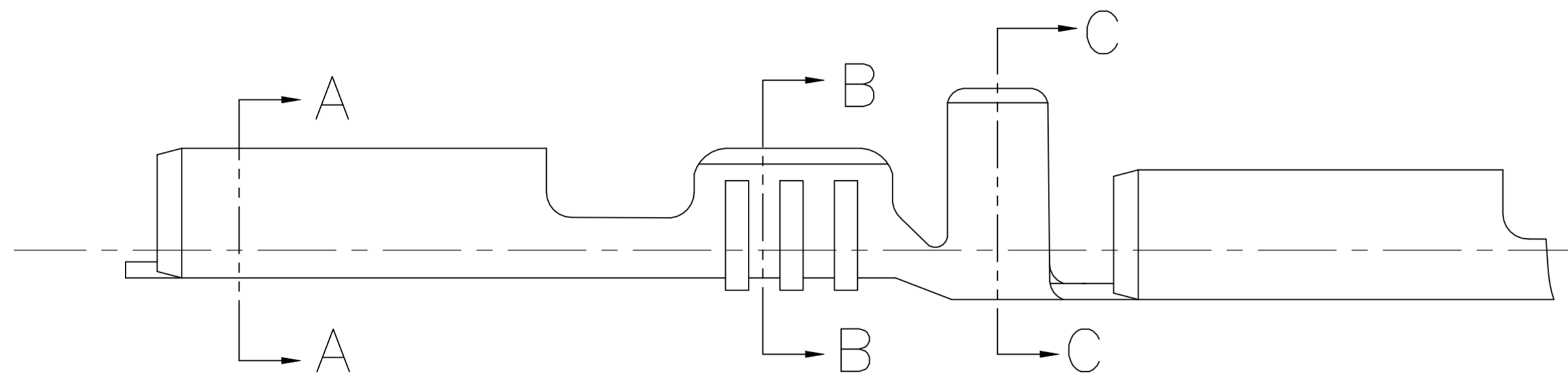


THIS DRAWING IS UNPUBLISHED. RELEASED FOR PUBLICATION
 © COPYRIGHT - - ALL RIGHTS RESERVED.

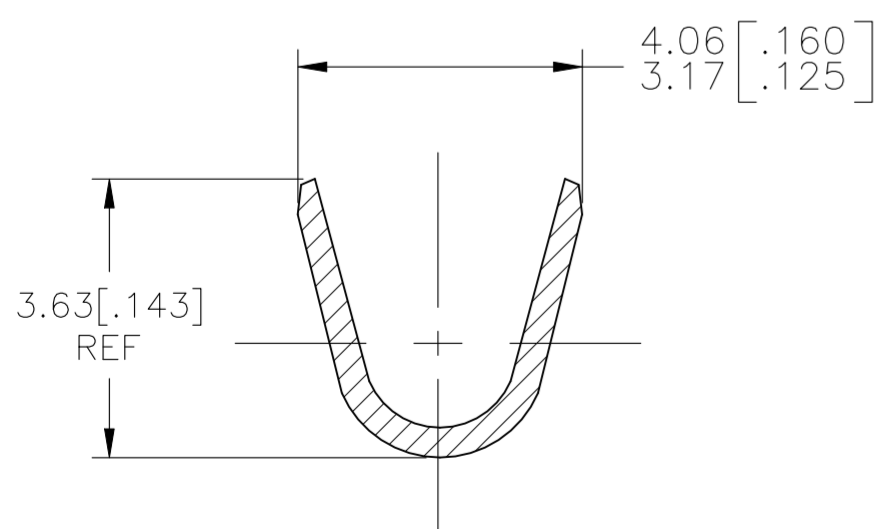
REVISIONS					
P	LTR	DESCRIPTION	DATE	DWN	APVD
A1		REVISED PER ECR-19-018140	04DEC2019	MK	TD



SECTION A-A



SECTION B-B



SECTION C-C

OBSOLETE

APPLICATOR FEED DIRECTION



THIS DRAWING IS A CONTROLLED DOCUMENT.

DIMENSIONS: mm [INCHES]



TOLERANCES UNLESS OTHERWISE SPECIFIED:
 0 PLC ± -
 1 PLC ± 0.40[.015]
 2 PLC ± 0.40[.015]
 3 PLC ± 0.40[.015]
 4 PLC ± -
 ANGLES ± -

MATERIAL SEE TABLE

FINISH SEE TABLE

DWN RAVIS 28NOV2016
 CHK LI DAISY 28NOV2016
 APVD DING TIM 28NOV2016
 PRODUCT SPEC

APPLICATION SPEC

WEIGHT -

CUSTOMER DRAWING

150319-2	BRASS TIN	150501-2
150319-1	BRASS	150501-1
LOOSE PIECE	MAT	PART NO

TE TE Connectivity

NAME 110 SRS MINI FASTON RCPT

SIZE A2 CAGE CODE 00779 DRAWING NO C=150501 RESTRICTED TO -

SCALE 1:1 SHEET 1 of 1 REV A1

STOCK THK: 0.254[.0100]

WIRE RANGE: 24-20

INS. RANGE: Ø.050-.120