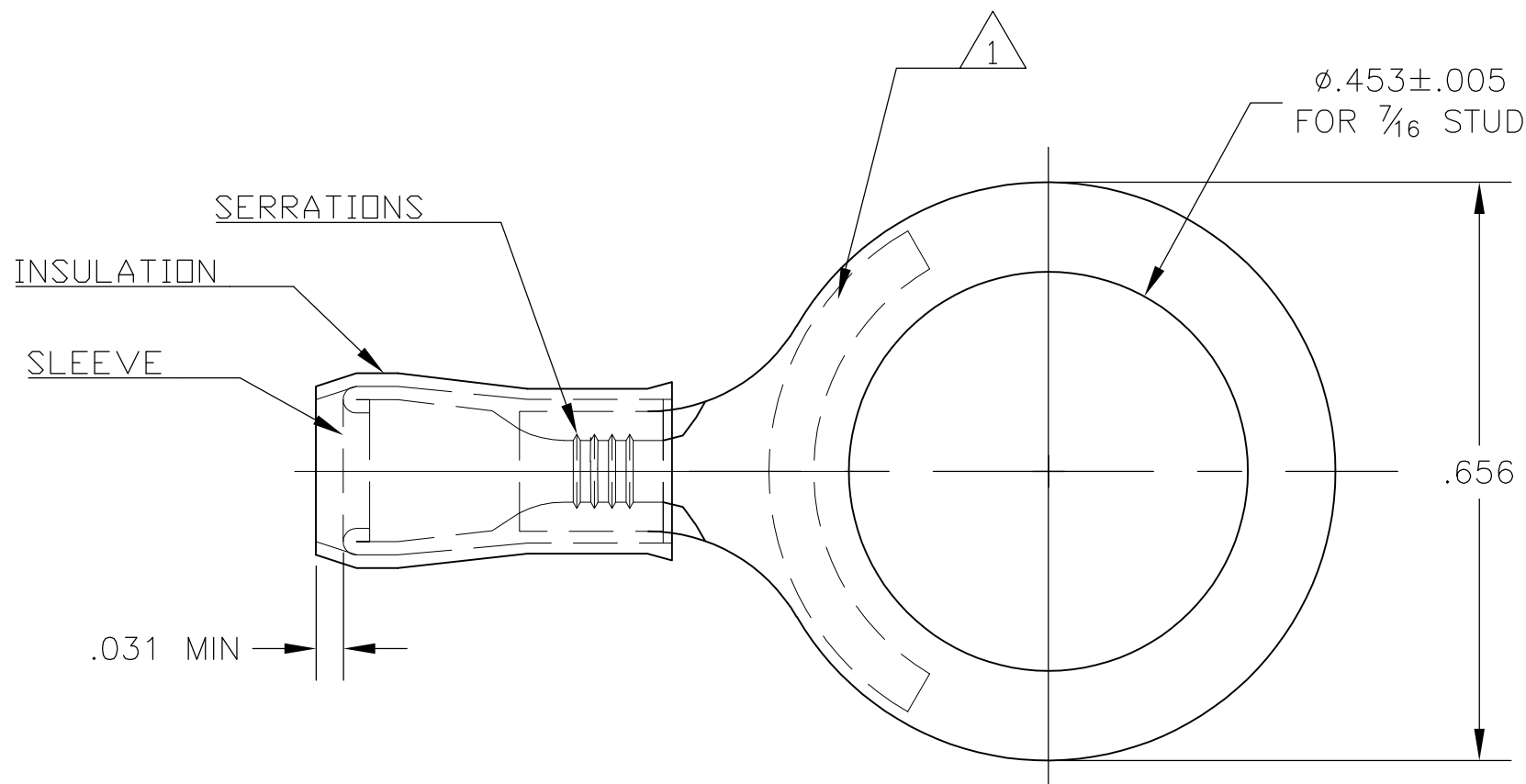
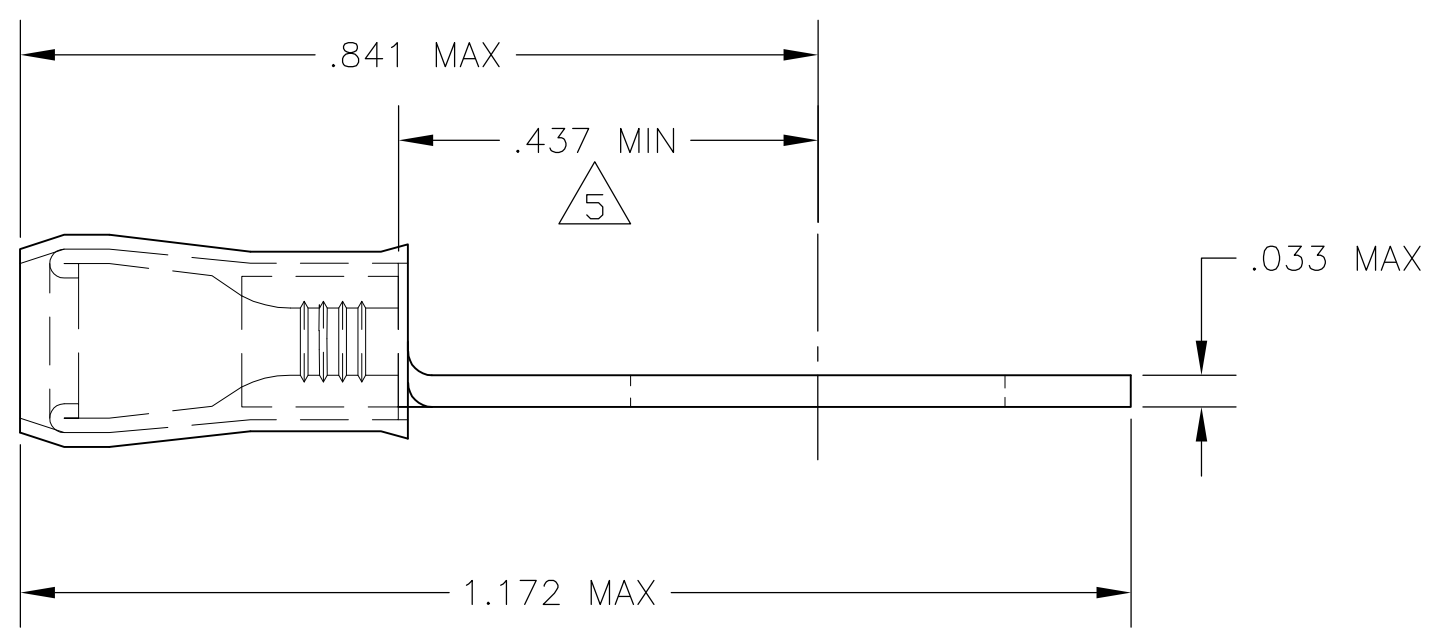


THIS DRAWING IS UNPUBLISHED. RELEASED FOR PUBLICATION
 © COPYRIGHT BY TYCO ELECTRONICS CORPORATION. ALL INTERNATIONAL RIGHTS RESERVED.

LOC	DIST	REVISIONS			
P	LTR	DESCRIPTION	DATE	DWN	APVD
G	02	A1	REV PER ECR 10-004261	25FEB10	JR TM



- 1 STAMP "AMP 22-18", LOCATED APPROX AS SHOWN ON BOTTOM OF PART.
- 2 FOR INSULATION DIA OF .105 TO .140
- 3 MATERIAL
 BODY: COPPER PER ASTM B-152 ANNEALED
 SLEEVE: COPPER PER ASTM B-152
 INSULATION: NYLON
- 4 FINISH
 BODY: TIN PLATE PER ASTM B-545
 SLEEVE: TIN PL PER ASTM B-545
 INSULATION - COLOR-RED
- 5 APPLIES FROM EDGE OF METAL WIRE BARREL TO CENTER OF STUD HOLE.



150072-1
 PART NO

THIS DRAWING IS A CONTROLLED DOCUMENT.		DWN jr_ruth 25FEB10	Tyco Electronics Corporation Harrisburg, PA 17105-3608		
DIMENSIONS: INCHES		CHK TOM MICHIELUTTI 25FEB10	NAME WIRE TERMINAL, RING TONGUE, PIDG, WIRE SIZE: 22-18		
		APVD TOM MICHIELUTTI 25FEB10	PRODUCT SPEC -		
TOLERANCES UNLESS OTHERWISE SPECIFIED:		APPLICATION SPEC -		SIZE A3	CAGE CODE 00779
MATERIAL - 3		FINISH - 4		DRAWING NO G-150072-1	
0 PLC ± -		WEIGHT -		RESTRICTED TO -	
1 PLC ± -		CUSTOMER DRAWING		SCALE 6:1	SHEET 1 OF 1
2 PLC ± -				REV A1	
3 PLC ± .008					
4 PLC ± -					
ANGLES ± 5°					