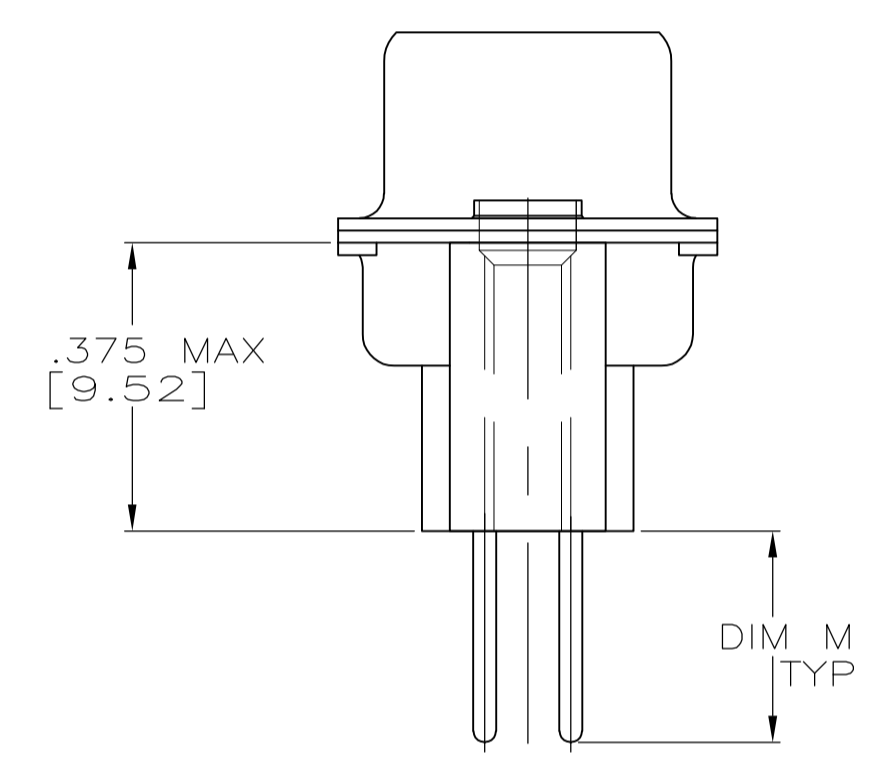
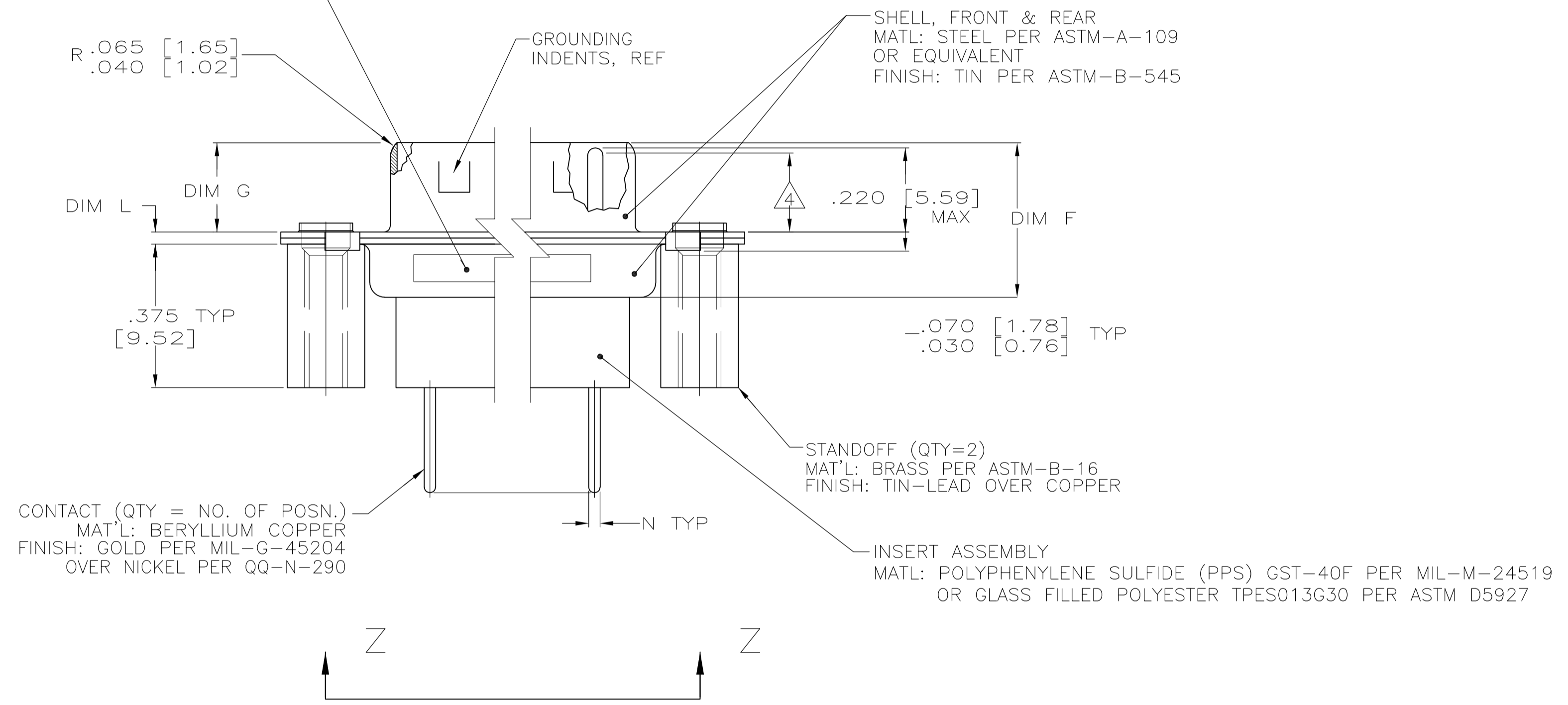


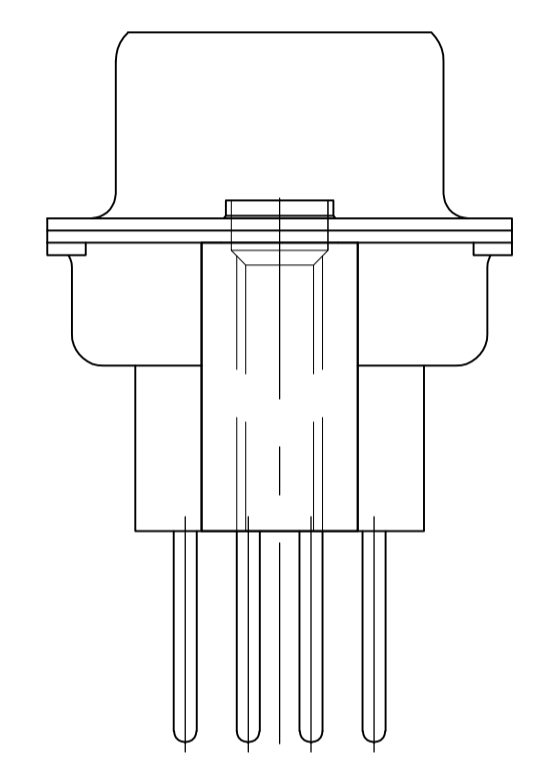
VIEW Z-Z
SHOWN WITHOUT
CONTACTS & STANDOFFS

- 1 SEE SHEET 2 FOR RECOMMENDED P.C. BOARD LAYOUT. TRUE POSITION TOLERANCE FOR P.C. BOARD LAYOUT IS .010 [0.25] AT MAX MATERIAL CONDITION. SUGGESTED BOARD THICKNESS IS .094 [2.39]
- 2 THE CONNECTORS DESCRIBED IN THIS DOCUMENT MATE WITH ANY RECEPTACLE CONNECTOR WITH THE SAME INSERT ARRANGEMENT.
- 3 MARKED WITH .047 [1.19]-.062 [1.57] HIGH CHARACTERS. FAR SIDE REFERS TO THE WIDE SIDE OF THE KEYSTONE. NEAR SIDE REFERS TO THE NARROW SIDE OF THE KEYSTONE. IF THE FRONT SHELL IS TOO SMALL FOR "TE", TE PART NUMBER AND DATE CODE, THEN SPLIT AS FOLLOWS:
A. TE PART NUMBER ON REAR SHELL, NEAR SIDE.
B. "TE" AND DATE CODE ON FRONT SHELL, NEAR SIDE.
- 4 REQUIREMENT FOR FULL PIN DIAMETER EXTENSION:
.159 [4.04] MIN, SHELL SIZES 1 AND 2.
.150 [3.81] MIN, SHELL SIZES 3,4 AND 5.

3 MARK TE, TE PART NO AND DATE CODE, FAR SIDE.



SIZES 1 THRU 4
CONTACT CONFIGURATION



SIZE 5 CONTACT
CONFIGURATION

	.027 [0.69]	.300 [7.62]	.049 [1.24]	.544 [13.82]	2.188 [55.58]	.236 [5.99]	.436 [11.07]	.620 [15.75]	.446 [11.33]	2.411 [61.24]	2.084 [52.93]	2.650 [67.31]	MS18277-2	78	5	1484265-5	1484265-5
	.023 [0.58]	.250 [6.35]	.029 [0.74]	.432 [10.97]	2.282 [57.96]	.236 [5.99]	.436 [11.07]	.509 [12.93]	.334 [8.48]	2.505 [63.63]	2.187 [55.55]	2.744 [69.70]	MS18276-2	62	4	1484265-4	1484265-4
	.027 [0.69]	.300 [7.62]	.049 [1.24]	.432 [10.97]	1.635 [41.53]	.236 [5.99]	.436 [11.07]	.509 [12.93]	.334 [8.48]	1.857 [47.17]	1.539 [39.09]	2.103 [53.42]	MS18275-2	44	3	1484265-3	1484265-3
OBSOLETE	.027 [0.69]	.300 [7.62]	.040 [1.02]	.432 [10.97]	1.093 [27.76]	.238 [6.05]	.432 [10.97]	.509 [12.93]	.334 [8.48]	1.317 [33.45]	.999 [25.37]	1.556 [39.52]	MS18274-2	26	2	1484265-2	1484265-2
OBSOLETE	.027 [0.69]	.300 [7.62]	.040 [1.02]	.432 [10.97]	.769 [19.53]	.238 [6.05]	.432 [10.97]	.509 [12.93]	.334 [8.48]	.989 [25.12]	.671 [17.04]	1.228 [31.19]	MS18273-2	15	1	1484265-1	1484265-1
	.023 [0.58]	.250 [6.35]	.020 [0.51]	.412 [10.46]	1.073 [27.25]	.229 [5.82]	.412 [10.46]	.479 [12.17]	.324 [8.23]	1.307 [33.20]	.989 [25.12]	1.526 [38.76]					
	N	M	L	J	H	G	F	E	D	C	B	A	INSERT ARRANGEMENT	NO OF POS	SHELL SIZE	TE PN ON CONNECTOR	PART NUMBER

THIS DRAWING IS A CONTROLLED DOCUMENT.

DIMENSIONS: INCHES

TOLERANCES UNLESS OTHERWISE SPECIFIED:

0 PLC	± .005
1 PLC	± .004
2 PLC	± .003
3 PLC	± .002
4 PLC	± .001
ANGLES	± .001

MATERIAL: SEE CALLOUTS

FINISH: SEE CALLOUTS

WEIGHT: —

CUSTOMER DRAWING

SCALE: 4:1

SHEET 1 OF 2

REV C

APPROVED: CHAD BAKER

DATE: 15JUN01

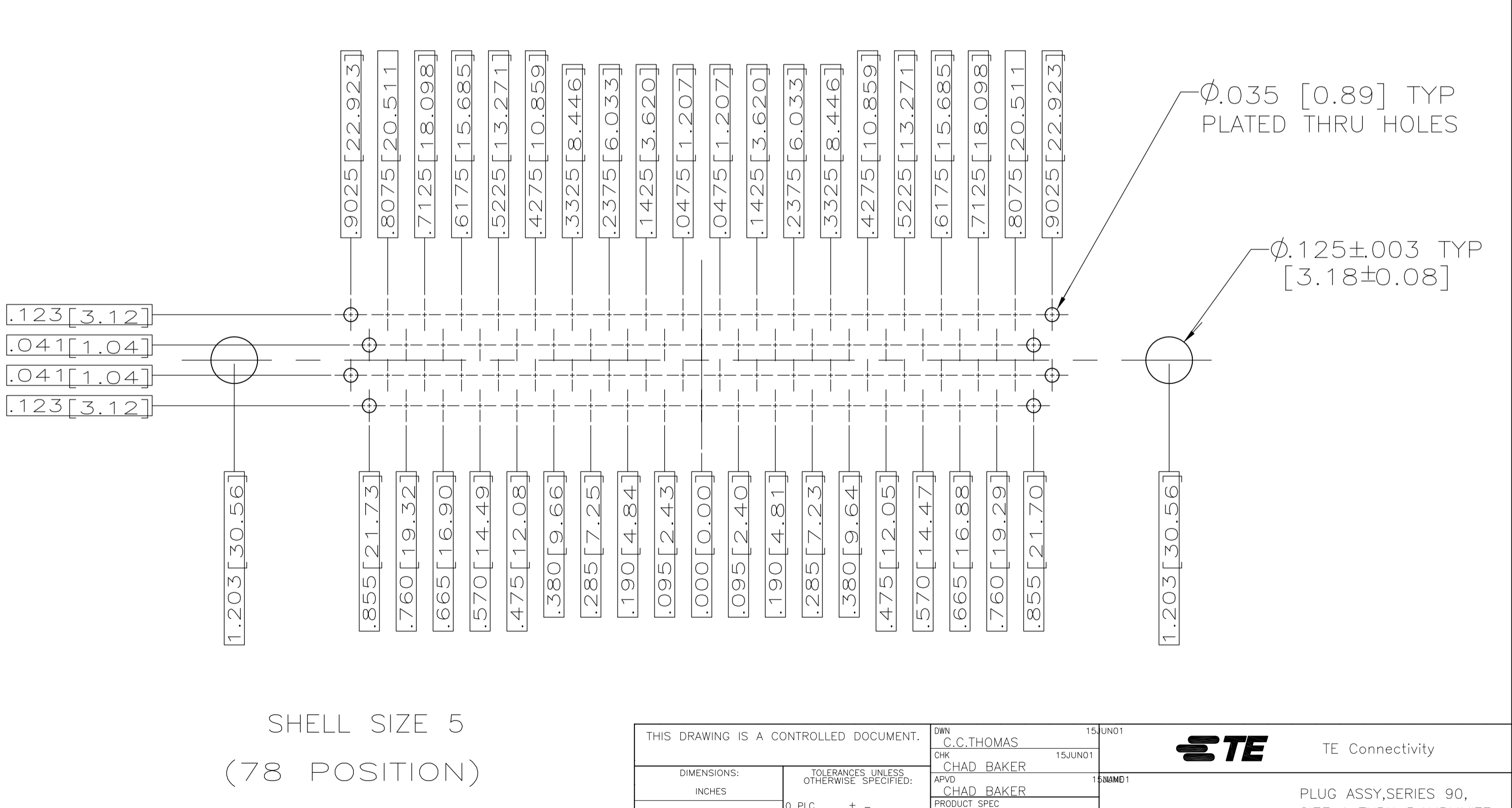
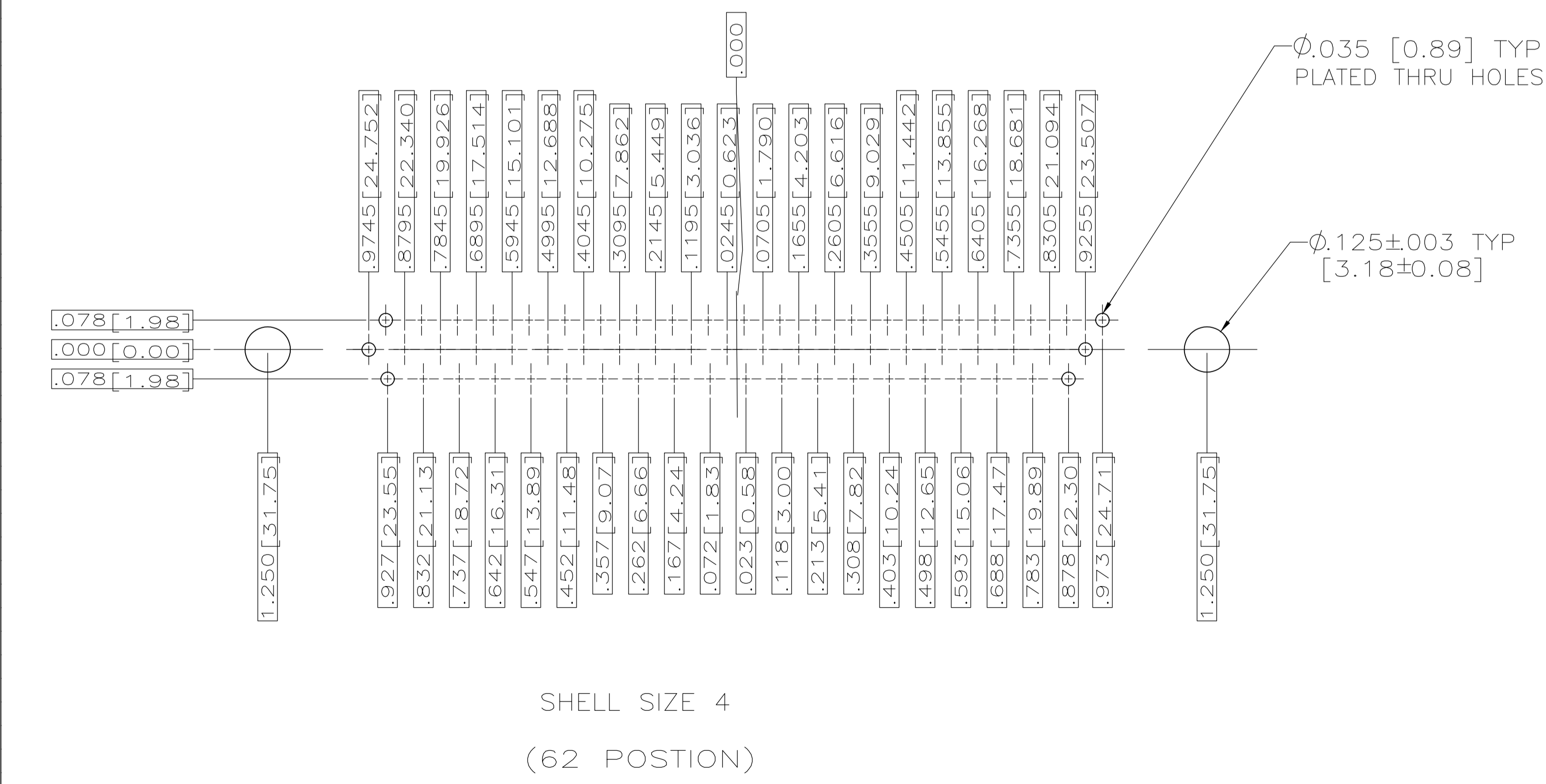
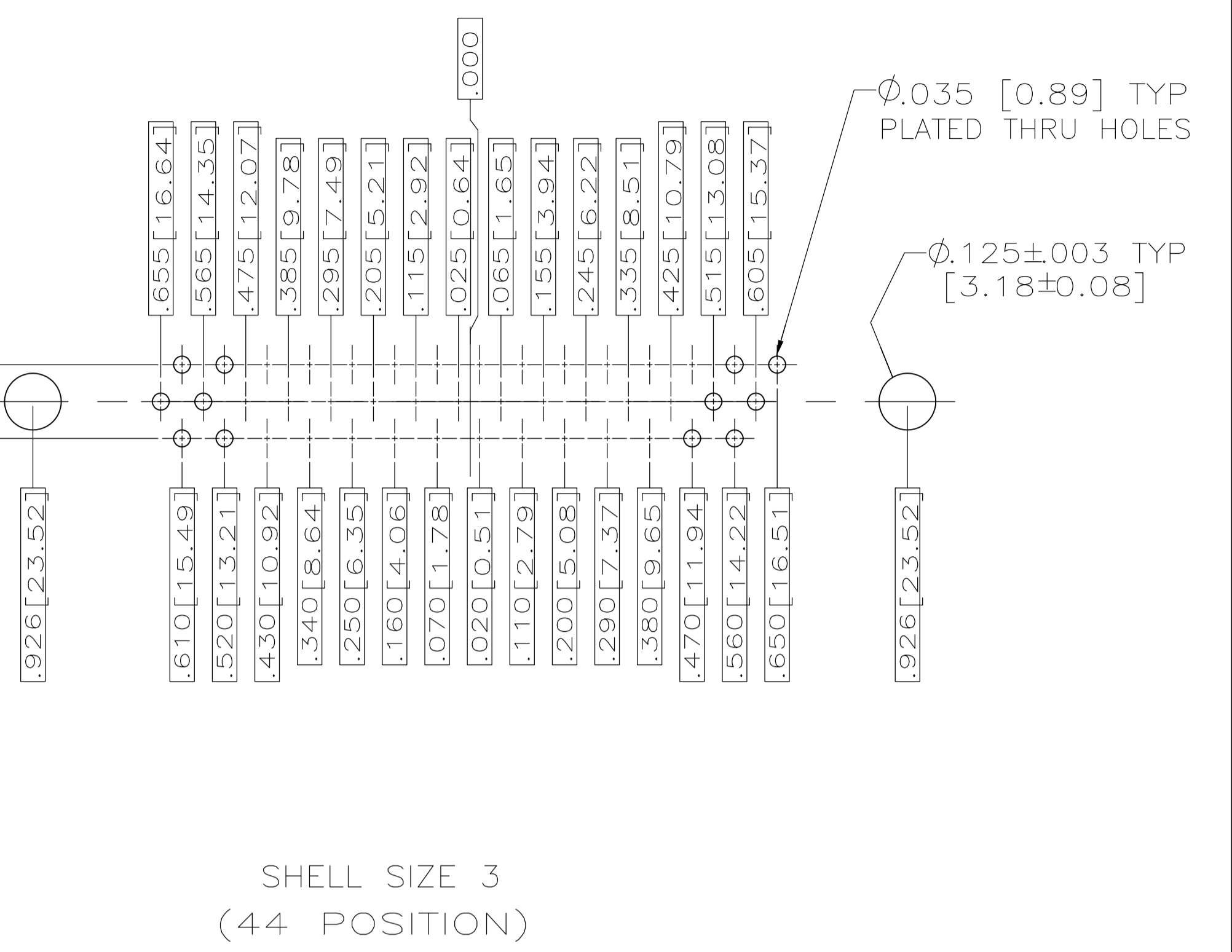
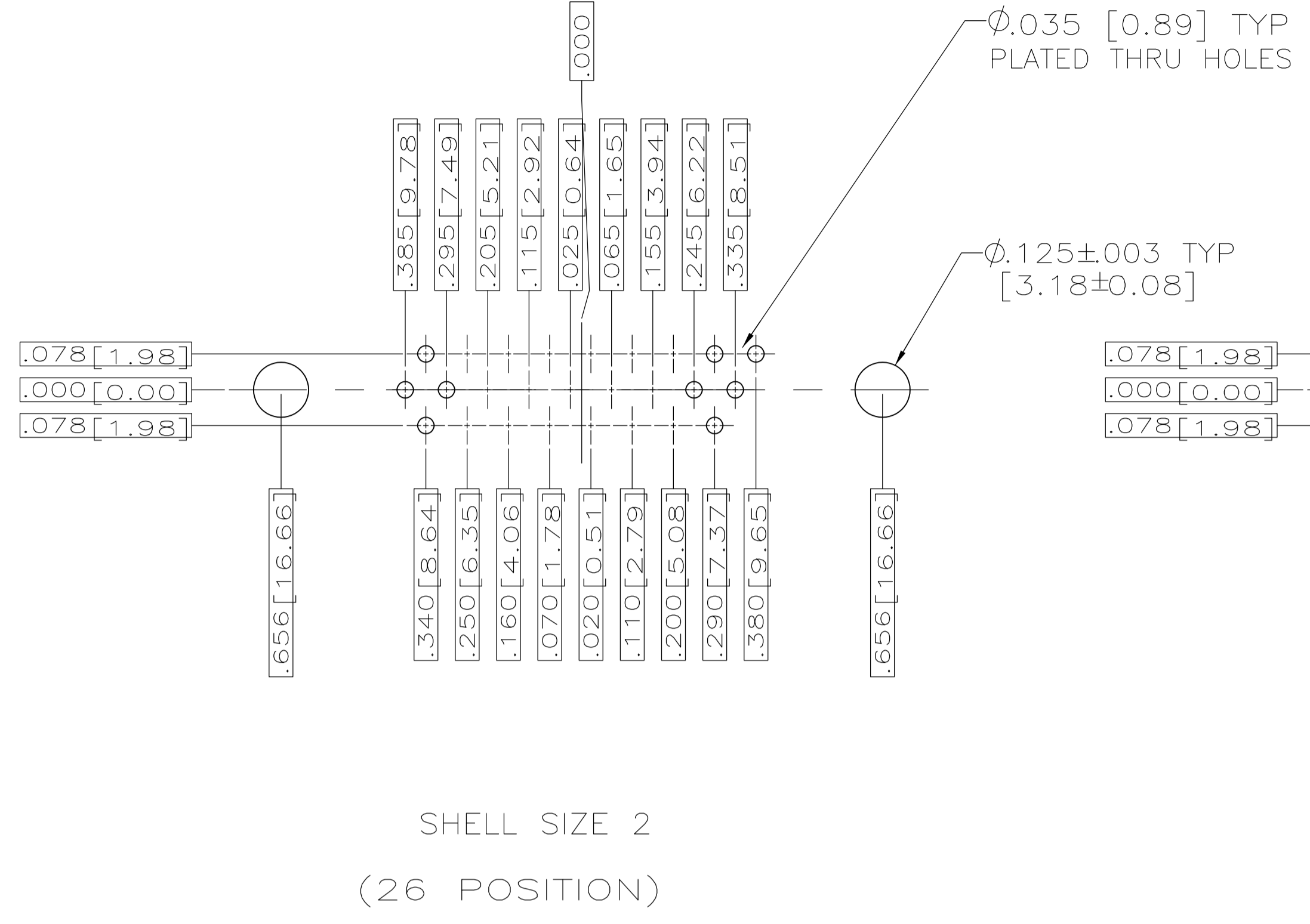
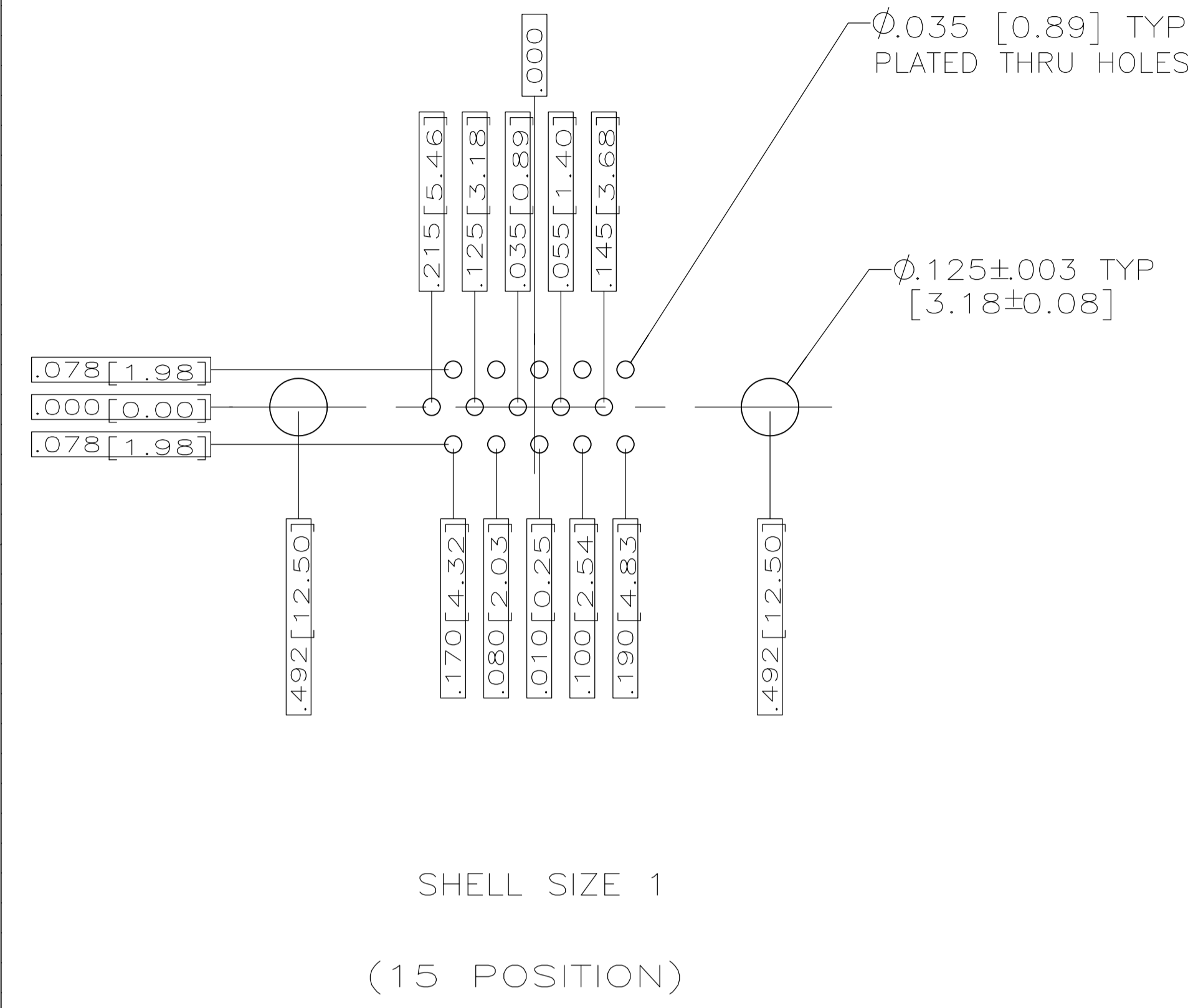
TE Connectivity

PLUG ASSY. SERIES 90, SIZE 1 THRU 5, AMPLIMITE

SIZE: A1

CAGE CODE: 00779

DRAWING NO: 1484265



THIS DRAWING IS A CONTROLLED DOCUMENT.

DIMENSIONS: INCHES	TOLERANCES UNLESS OTHERWISE SPECIFIED:	DIN	15JUN01
	0 PL ± .005	CHK	C.C.THOMAS
	1 PL ± .005	APVD	CHAD BAKER
	2 PL ± .005	DATE	15JUN01
	3 PL ± .005	PRODUCT SPEC	
4 PL ± .005	APPLICATION SPEC		
5 PL ± .005	WEIGHT		
MATERIAL SEE CALLOUTS	FINISH SEE CALLOUTS	SIZE	CAGE CODE
		DRAWING NO	RESTRICTED TO
		A1 00779	1484265
		CUSTOMER DRAWING	SCALE 4:1 SHEET 2 OF 2 REV C

PLUG ASSY. SERIES 90, SIZE 1 THRU 5, AMPLIMITE

STE TE Connectivity