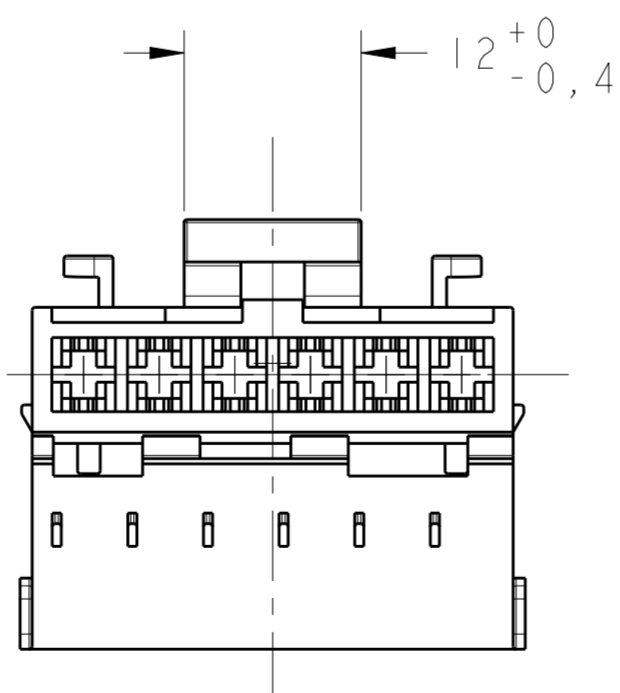
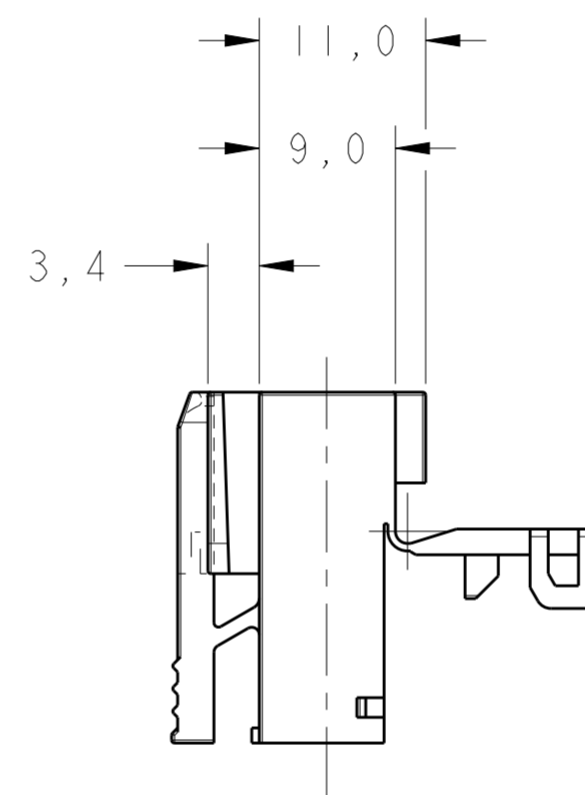
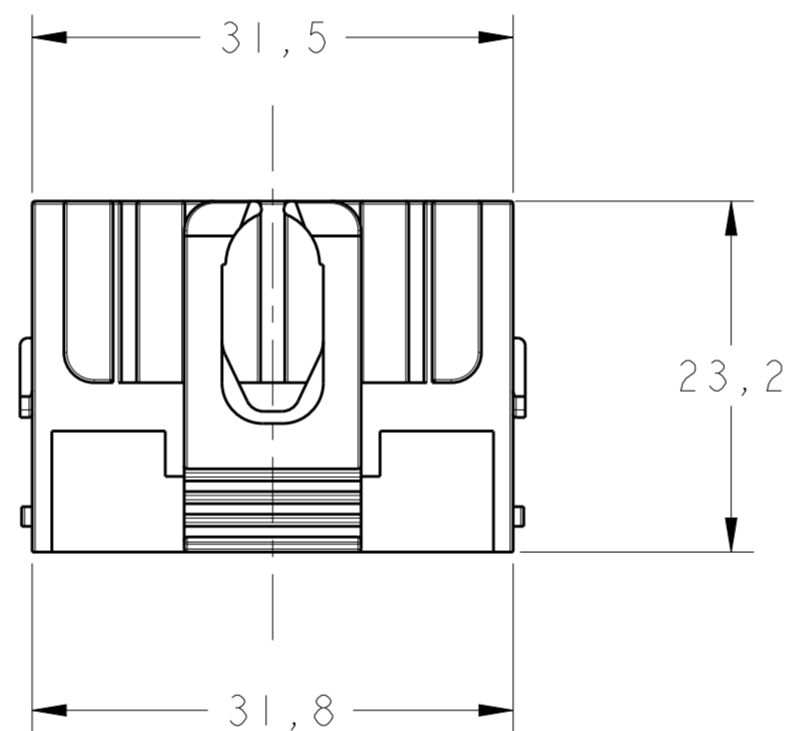
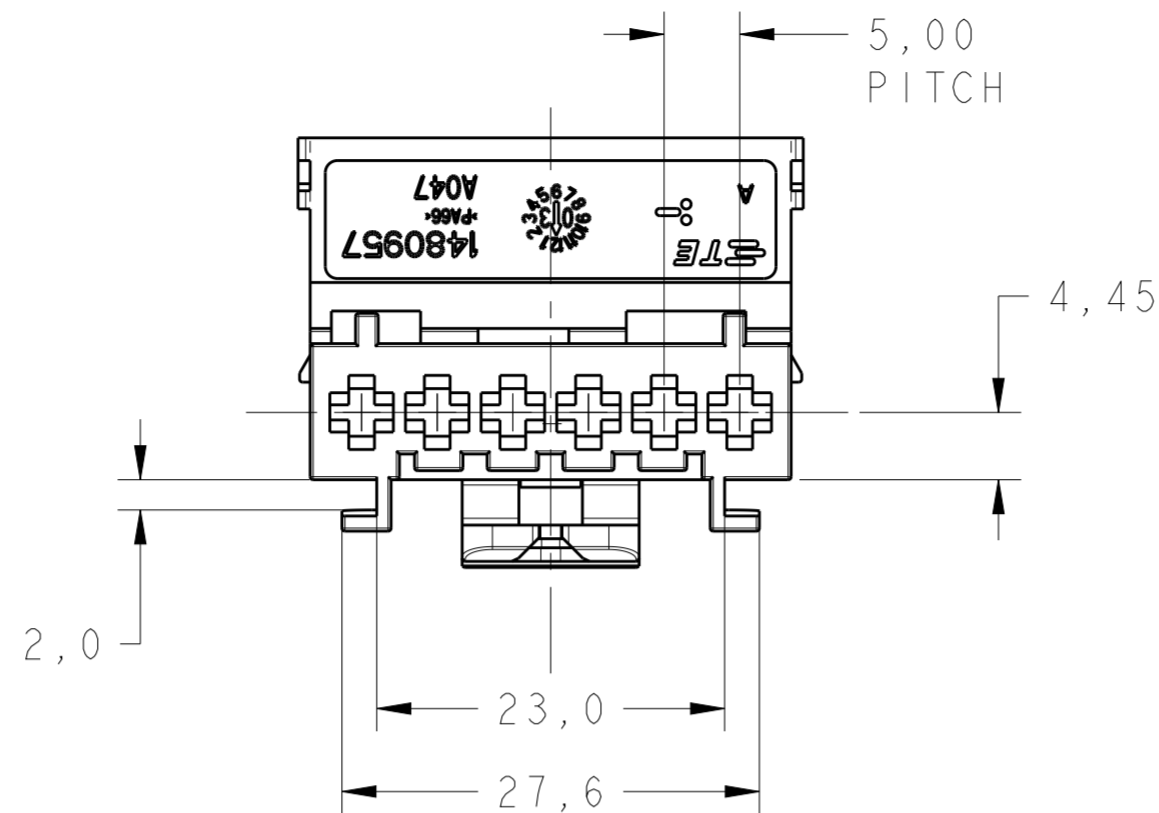
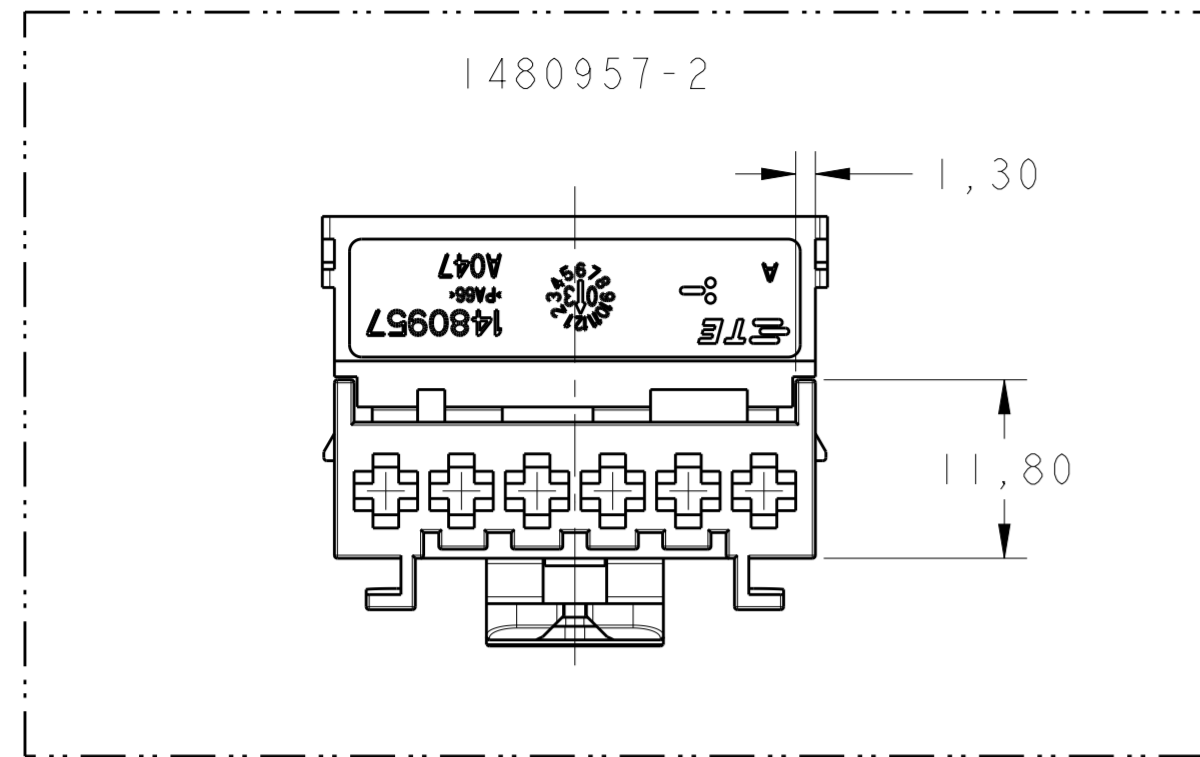


THIS DRAWING IS UNPUBLISHED. RELEASED FOR PUBLICATION 20
 © COPYRIGHT 20 BY - ALL RIGHTS RESERVED.

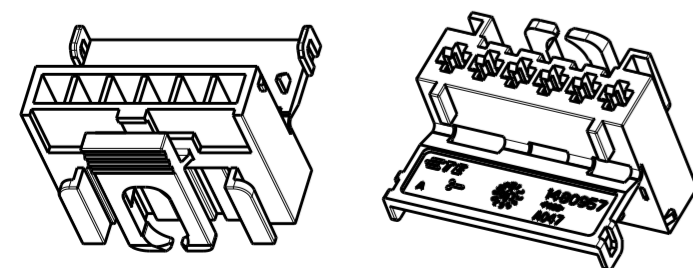
LOC	DIST	REVISIONS					
AP	-	P	LTR	DESCRIPTION	DATE	DWN	APVD
		D		REVISED DESIGN ECO-13-008632	22MAY2013	NCL	GOJ
		DI		REVISED BY ECO-13-014532	07OCT2013	RKL	BR
		E		REVISED DRAWING ECO-15-000329	08JAN2015	NCL	DAO
		EI		REVISED BY ECO-20-000937	05FEB2020	PSB	RKL



GRAVAÇÃO MARKING
LOGOTIPO TE TE LOGO
CÓDIGO PAÍS PRODUTOR MANUFACTURER COUNTRY CODE
NOMENCLATURA MATERIAL MATERIAL NOMENCLATURE
NÚMERO COMPONENTE TE TE COMPONENT NUMBER
NÚMERO CAVIDADE CAVITY NUMBER
PAÍS PRODUTOR MANUFACTURER COUNTRY
CODIGO FIAT DO FORNECEDOR FIAT CODE SUPPLIER
LETRA REV. DA PEÇA LETRA REV. PART
DATADOR DATED CODE

1 - UTILIZAR TERMINAIS JPT 927771 OU 927773
 - FOR TERMINALS APPLICATION JPT 927771 OR 927773

FINISH	MATERIAL	PART NUMBER
NATURAL	PA-6.6	1480957 -2
NATURAL	PA-6.6	1480957 -1



PERSPECTIVE VIEW
SCALE 1:1

creo
Creo Parametric 2.0
DO NOT REVISE
EXCEPT BY CAD

THIS DRAWING IS A CONTROLLED DOCUMENT.

DIMENSIONS: mm	TOLERANCES UNLESS OTHERWISE SPECIFIED: 0 PLC ± 1 PLC ±0,3 2 PLC ±0,2 3 PLC ± 4 PLC ± ANGLES ±°	DWN N.C.LAPRESA 30APR02 CHK P.L.FARIA 30APR02 APVD J.W.PRADO 30APR02	TE Connectivity NAME HOUSING, 6 POSN. JUNIOR POWER TIMER REC.
MATERIAL SEE TABLE	FINISH SEE TABLE	PRODUCT SPEC APPLICATION SPEC WEIGHT	

Customer Drawing SCALE 2:1 SHEET 1 OF 1 REV E1