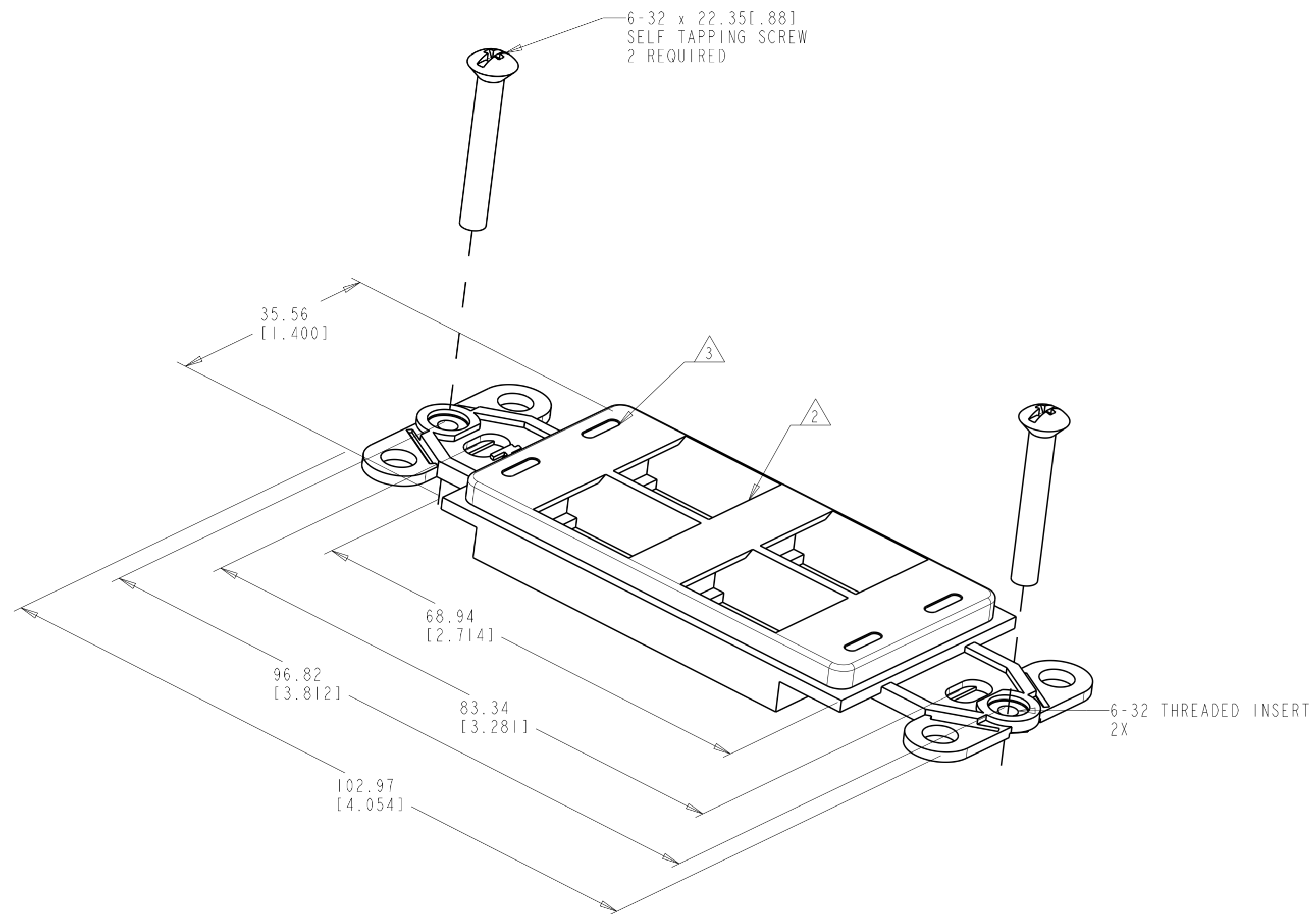


THIS DRAWING IS UNPUBLISHED. RELEASED FOR PUBLICATION 20
 © COPYRIGHT 20 BY - ALL RIGHTS RESERVED.

REVISIONS				
P	LTR	DESCRIPTION	DATE	APVD
C		ECO-13-019955	26DEC2013	JM RA



1. KIT SHIPPED WITH SCREWS NOT ASSEMBLED.
2. OPENINGS WILL ACCEPT AMP 110 CONNECT JACKS, SL SERIES JACKS, MT-RJ OUTLET JACKS AND 110 CONNECT OR SL SERIES MULTIMEDIA INSERTS.
3. SLOTS WILL ACCEPT AMP COLOR CODED ICONS.
4. DIMENSIONS ARE NOMINAL UNLESS OTHERWISE SPECIFIED.
5. MATERIAL: STRAP
 ABS MOLDING COMPOUND. SEE TABLE FOR COLOR.
 SCREWS - ZINC PLATED CARBON STEEL.
 THREADED INSERT - STAINLESS STEEL.

ALPINE WHITE	I-1479504-3
ELECTRIC IVORY	I-1479504-1
NEMA GRAY	1479504-4
WHITE	1479504-3
BLACK	1479504-2
LT. ALMOND	1479504-1
COLOR	PART NO.

THIS DRAWING IS A CONTROLLED DOCUMENT.		DWN L HALL 20 JUN 03	TE Connectivity	
DIMENSIONS: MM [INCHES]		CHK G BOWMAN 20 JUN 03		
		APVD G BOWMAN 20 JUN 03		
TOLERANCES UNLESS OTHERWISE SPECIFIED:		NAME KIT, MOUNTING STRAP, DECORATOR, 4 PORT		
0 PLC ±	1 PLC ±	PRODUCT SPEC -		
2 PLC ±	3 PLC ±	APPLICATION SPEC -		
4 PLC ±	ANGLES ±	WEIGHT -		
FINISH -	-	SIZE A2	CAGE CODE -	DRAWING NO. C-1479504
MATERIAL 5		CUSTOMER DRAWING		
		SCALE 2:1	SHEET 1 OF 1	REV C