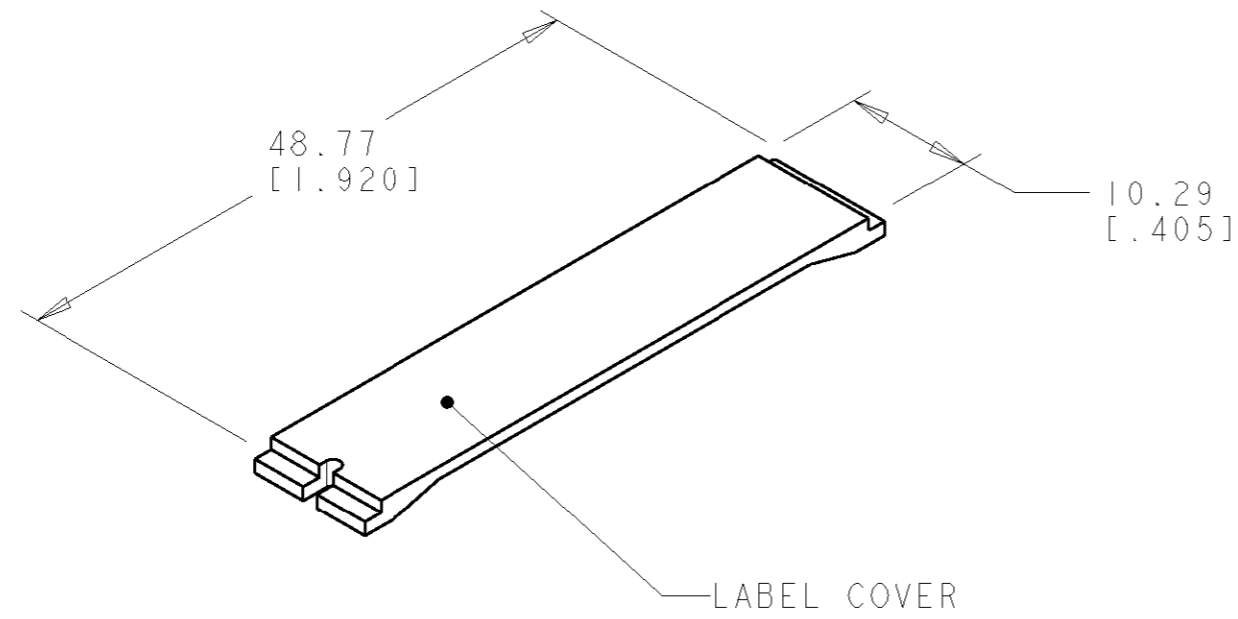


THIS DRAWING IS UNPUBLISHED. RELEASED FOR PUBLICATION 20
 © COPYRIGHT 20 BY TYCO ELECTRONICS CORPORATION. ALL RIGHTS RESERVED.

LOC	DIST	REVISIONS					
		P	LTR	DESCRIPTION	DATE	DWN	APVD
HM	00		A	RLSD- NSD02-051	14MAY02	TP	GB

△ MATERIAL: ABS MOLDING COMPOUND. SEE TABLE FOR COLOR.
 2. PACKAGE 100 LABEL COVERS PER POLYBAG.



ELEC. IVORY	1-1479268-1
NEMA GRAY	1479268-4
WHITE	1479268-3
BLACK	1479268-2
LT. ALMOND	1479268-1
COLOR	PART NO.

<small>THIS DRAWING IS A CONTROLLED DOCUMENT FOR TYCO ELECTRONICS CORPORATION IT IS SUBJECT TO CHANGE AND THE CONTROLLING ENGINEERING ORGANIZATION SHOULD BE CONTACTED FOR THE LATEST REVISION.</small>		DWN	T. PITTS	14MAY02	Tyco Electronics Harrisburg, PA 17105-3608
DIMENSIONS: MM [INCHES]		CHK	L. SMITH	14MAY02	
		APVD	G. BOWMAN	14MAY02	
TOLERANCES UNLESS OTHERWISE SPECIFIED: 0 PLC ±- 1 PLC ±- 2 PLC ±.13 [.005] 3 PLC ±- 4 PLC ±- ANGLES ±-		PRODUCT SPEC		NAME	
MATERIAL -		APPLICATION SPEC		COVER, LABEL, COLOR	
FINISH -		WEIGHT -		SIZE	RESTRICTED TO
		CUSTOMER DRAWING		A3	-
		SCALE 2:1		CAGE CODE 00779	DRAWING NO C-1479268
		SHEET 1 OF 1		REV A	