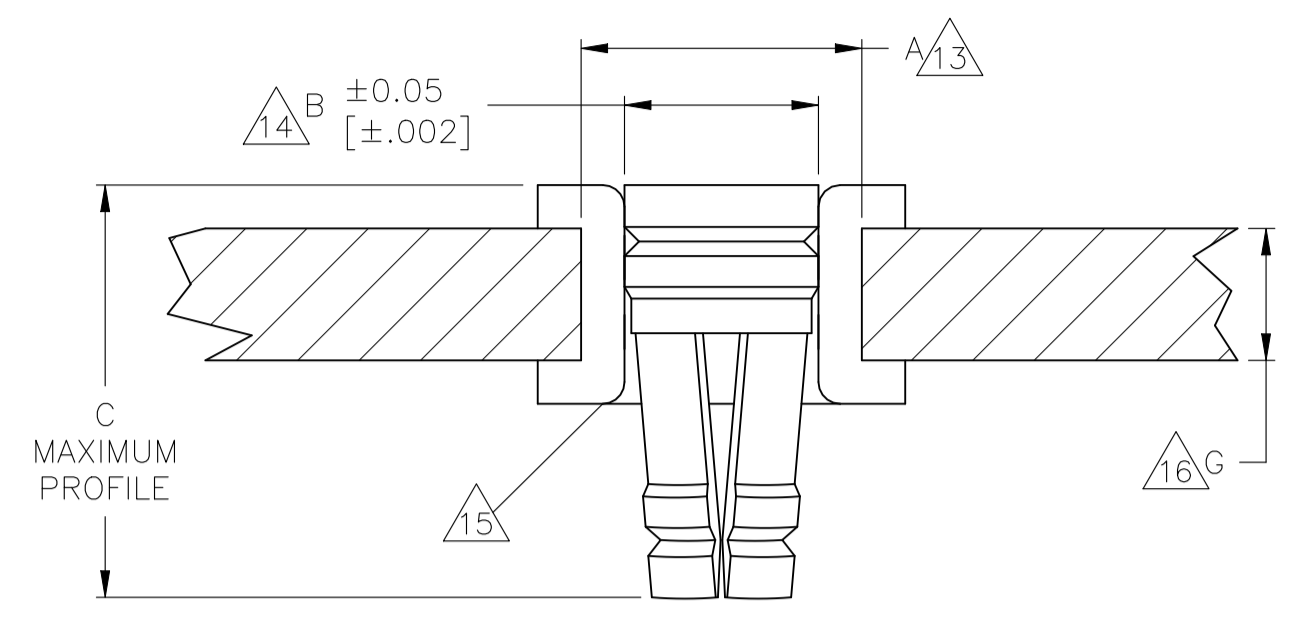
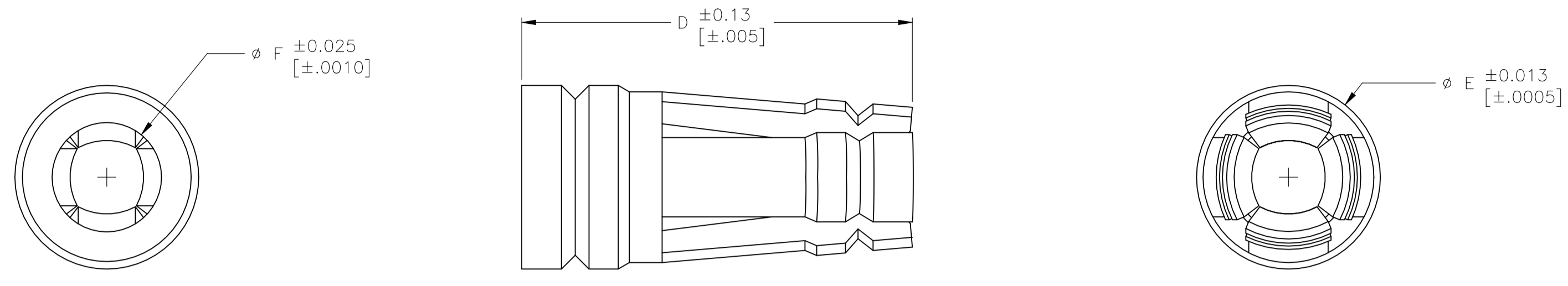


| REVISIONS | | | | | |
|-----------|-----------|----|-----|------|---------------------------|
| REV | DATE | BY | CHK | APPV | DESCRIPTION |
| F | 06AUG2024 | BT | KJ | | REVISED PER ECN-24-278654 |



PLATED-THROUGH-HOLE REQUIREMENTS
SCALE 25:1

- 1 BERYLLIUM COPPER
- 2 .000635 [.000025] MIN. GOLD OVER .001270 [.000050] MIN. NICKEL.
- 3 .000762 [.000030] MIN. GOLD OVER .001270 [.000050] MIN. NICKEL.
- 4 .002032 [.000080] MIN. MATTE TIN-LEAD OVER .001905 [.000075] MIN. COPPER.
- 5 QUALIFIED TO MILITARY SPECIFICATION MIL-DTL-83505/6
- 6 ROUND LEAD DIAMETER 0.41-0.53 [.016-.021].
- 7 ROUND LEAD DIAMETER 0.61-0.76 [.024-.030].
- 8 ROUND LEAD DIAMETER 0.71-0.89 [.028-.035].
- 9 ROUND LEAD DIAMETER 0.91-1.14 [.036-.045].
- 10 RECTANGULAR LEAD SIZE 0.28X0.46±0.05 [.011X.018±.002].
- 11 RECTANGULAR LEAD SIZE 0.64 SQ. [.025 SQ.].
- 12 LOW INSERTION/WITHDRAWAL FORCE PRODUCT.
- 13 NOMINAL DRILL SIZE FOR PRIMARY HOLE.
- 14 FINISHED HOLE DIAMETER.
- 15 PLATED-THRU HOLE FINISH: 0.0076-0.0127 [.0003-.0005] TIN-LEAD OVER 0.001 [.0254] MIN. COPPER
- 16 MINIMUM THICKNESS FOR THE CIRCUIT BOARD.
- 17 OVERSIZED PRODUCT- FOR USE WHEN THE FINISHED HOLE DIAMETER EXCEEDS 1.15[.0453] BY 0.05 [.002] OR LESS
- 18 THESE PRODUCTS ARE BULK PACKAGED.
- 19 .002032 [.000080] MIN. MATTE TIN (LEAD FREE) OVER .001905 [.000075] MIN COPPER
- 20 PRELIMINARY PART, NOT RELEASED FOR PRODUCTION.
- 21 .0046 [.000180] MIN TIN
- 22 OBSOLETE PARTS: OBSOLETE CIS STREAMLINING PER D.RENAUD/D.SINISI
- 23 .002032 [.000080] MIN. MATTE TIN (LEAD FREE) OVER .001270 [.000050] MIN NICKEL
- 24 .002032 [.000080] MIN. MATTE TIN-LEAD OVER .001270 [.000050] MIN. COPPER.
- 25 .000127 [.000005] MIN. GOLD OVER .001270 [.000050] MIN. NICKEL.(RECOMMENDED DURABILITY -10 CYCLE)
- 26 .000254 [.000010] MIN. GOLD OVER .001270 [.000050] MIN. NICKEL.(RECOMMENDED DURABILITY -20 CYCLE)
- 27 .000381 [.000015] MIN. GOLD OVER .001270 [.000050] MIN. NICKEL.(RECOMMENDED DURABILITY -30 CYCLE)

| G | F | E | D | C | B | A | PACKAGE QUANTITY | RECOMMENDED LEAD SIZE | MILITARY PART NUMBER | FINISH | AUGAT PART NUMBER (REF) | PART NUMBER |
|----------------|----------------|------------------|----------------|----------------|-----------------|------------------|------------------|-----------------------|----------------------|--------|-------------------------|----------------|
| 0.76 [.030] | 0.66 [.026] | 1.118 [.0440] | 2.39 [.094] | 2.54 [.100] | 1.04 [.041] | 1.15 [.0453] | 50,000 | 6/10 | - | 27 | - | 2488931-1 |
| 0.76 [.030] | 0.66 [.026] | 1.133 MAX | 2.39 [.094] | 2.54 [.100] | 1.04 [.041] | 1.15 [.0453] | 50,000 | 6/10 | M83505/6-0015 | 3 | M8134-HC-5P2 | 8-1437514-0 5 |
| 0.76 [.030] | 1.07 [.042] | 1.610 MAX | 3.45 [.136] | 3.56 [.140] | 1.46 to 1.54 | 1.61 to 1.62 | 50,000 | 8/11 | - | 4 | 8134-HC-8P3 | 7-1437514-1 |
| 0.76 [.030] | .097 [.038] | 1.610 MAX | 3.45 [.136] | 3.56 [.140] | 1.46 to 1.54 | 1.61 to 1.62 | 50,000 | 7 | - | 23 | 8134-HC-6P3LF | 9-1437514-1 |
| 1.27 [.050] | 1.32 [.052] | 2.207 MAX | 3.96 [.156] | 4.06 [.160] | 2.08 [.082] | 2.22 [.0875] | 50,000 | 9 | - | 4 | 8134-HC-6P3 | 6-1437514-9 |
| 1.27 [.050] | 1.32 [.052] | 2.207 MAX | 3.96 [.156] | 4.06 [.160] | 2.08 [.082] | 2.22 [.0875] | 50,000 | 9 | - | 4 | 8134-HC-12P3 | 6-1437514-0 |
| 0.76 [.030] | 0.66 [.026] | 1.138 MAX | 2.39 [.094] | 2.54 [.100] | 1.04 [.041] | 1.15 [.0453] | 50,000 | 6/10 | - | 19 | 8134-HC-12P3LF | 8-1437514-9 20 |
| 0.76 [.030] | 0.66 [.026] | 1.138 MAX | 2.39 [.094] | 2.54 [.100] | 1.04 [.041] | 1.15 [.0453] | 50,000 | 6/10 | - | 23 | 8134-HC-5P3LF | 9-1437514-0 |
| 0.76 [.030] | 0.66 [.026] | 1.138 MAX | 2.39 [.094] | 2.54 [.100] | 1.04 [.041] | 1.15 [.0453] | 50,000 | 6/10 | - | 24 | 8134-HC-5P3 | 6-1437514-7 |
| 0.76 [.030] | 1.07 [.042] | 1.588 [.0625] | 3.45 [.136] | 3.56 [.140] | 1.47 [.058] | 1.61 [.0635] | 10,000 | 8/11 | - | 4 | 8134-HC-8P3 | 2-1437506-8 |
| 0.76 [.030] | 1.07 [.042] | 1.588 [.0625] | 3.45 [.136] | 3.56 [.140] | 1.47 [.058] | 1.61 [.0635] | 10,000 | 8/11 | - | 2 | 8134-HC-8P2 | 2-1437506-7 |
| 0.76 [.030] | .097 [.038] | 1.588 [.0625] | 3.45 [.136] | 3.56 [.140] | 1.46 to 1.54 | 1.61 to 1.62 | 10,000 | 7 | - | 4 | 8134-HC-6P3 | 2-1437506-5 22 |
| 0.76 [.030] | .097 [.038] | 1.588 [.0625] | 3.45 [.136] | 3.56 [.140] | 1.46 to 1.54 | 1.61 to 1.62 | 10,000 | 7 | - | 2 | 8134-HC-6P2 | 2-1437506-4 |
| 0.76 [.030] | 0.66 [.026] | 1.118 [.0440] | 2.39 [.094] | 2.54 [.100] | 1.04 [.041] | 1.15 [.0453] | 10,000 | 6/10 | - | 4 | 8134-HC-5P3 | 2-1437506-1 |
| 0.76 [.030] | 0.74 [.029] | 1.168 [.0460] | 2.39 [.094] | 2.54 [.100] | 1.09 [.043] | 1.150 [.0453] | 10,000 | 6/10 | - | 2 | 8134-HC-5P2 | 2-1437506-0 |
| 0.76 [.030] | 0.74 [.029] | 1.168 [.0460] | 2.39 [.094] | 2.54 [.100] | 1.09 [.043] | 1.150 [.0453] | 10,000 | 6/10 | - | 4 | 8134-HC-14P3 | 1-1437506-7 |
| 0.76 [.030] | 0.74 [.029] | 1.168 [.0460] | 2.39 [.094] | 2.54 [.100] | 1.09 [.043] | 1.150 [.0453] | 10,000 | 6/10 | - | 2 | 8134-HC-14P2 | 1-1437506-6 |
| 1.27 [.050] | 1.32 [.052] | 2.184 [.0860] | 3.96 [.156] | 4.06 [.160] | 2.08 [.082] | 2.22 [.0875] | 10,000 | 9 | - | 4 | 8134-HC-12P3 | 1-1437506-4 |
| 1.27 [.050] | 1.32 [.052] | 2.184 [.0860] | 3.96 [.156] | 4.06 [.160] | 2.08 [.082] | 2.22 [.0875] | 10,000 | 9 | - | 2 | 8134-HC-12P2 | 1-1437506-3 |
| 0.76 [.030] | 1.07 [.042] | 1.588 [.0625] | 3.45 [.136] | 3.56 [.140] | 1.47 [.058] | 1.61 [.0635] | 50,000 | 8/11 | - | 19 | 8134-HC-8P3LF | 8-1437514-8 20 |
| 0.76 [.030] | 0.66 [.026] | 1.118 [.0440] | 2.39 [.094] | 2.54 [.100] | 1.04 [.041] | 1.15 [.0453] | 50,000 | 6/10 | - | 4 | 8134-HC-27P4 | 6-1437514-5 12 |
| 0.76 [.030] | 0.66 [.026] | 1.118 [.0440] | 2.39 [.094] | 2.54 [.100] | 1.04 [.041] | 1.15 [.0453] | 50,000 | 6/10 | - | 2 | 8134-HC-27P3 | 147699-4 12 |
| 0.76 [.030] | 0.74 [.029] | 1.168 [.0460] | 2.39 [.094] | 2.54 [.100] | 1.09 [.043] | 1.150 [.0453] | 50,000 | 6/10 | - | 21 | 8134-HC-14P3 | 6-1437514-2 |
| 0.76 [.030] | 0.74 [.029] | 1.168 [.0460] | 2.39 [.094] | 2.54 [.100] | 1.09 [.043] | 1.150 [.0453] | 50,000 | 6/10 | - | 2 | 8134-HC-14P2 | 6-1437514-1 |
| 1.27 [.050] | 1.32 [.052] | 2.184 [.0860] | 3.96 [.156] | 4.06 [.160] | 2.08 [.082] | 2.22 [.0875] | 50,000 | 9 | M83505/6-0045 | 3 | M8134-HC-12P2 | 7-1437514-9 5 |
| 0.76 [.030] | 1.07 [.042] | 1.588 [.0625] | 3.45 [.136] | 3.56 [.140] | 1.47 [.058] | 1.61 [.0635] | 50,000 | 8/11 | M83505/6-0035 | 3 | M8134-HC-8P2 | 8-1437514-2 6 |
| 0.76 [.030] | 1.07 [.042] | 1.588 [.0625] | 3.45 [.136] | 3.56 [.140] | 1.47 [.058] | 1.61 [.0635] | 50,000 | 8/11 | - | 2 | 8134-HC-8P2 | 7-1437514-0 |
| 0.76 [.030] | .097 [.038] | 1.588 [.0625] | 3.45 [.136] | 3.56 [.140] | 1.47 [.058] | 1.61 [.0635] | 50,000 | 7 | M83505/6-0025 | 3 | M8134-HC-6P2 | 8-1437514-1 5 |
| 0.76 [.030] | .097 [.038] | 1.588 [.0625] | 3.45 [.136] | 3.56 [.140] | 1.46 to 1.54 | 1.61 to 1.62 | 50,000 | 7 | - | 2 | 8134-HC-6P2 | 6-1437514-8 |
| 0.76 [.030] | 0.66 [.026] | 1.118 [.0440] | 2.39 [.094] | 2.54 [.100] | 1.04 [.041] | 1.15 [.0453] | 50,000 | 6/10 | - | 2 | 8134-HC-5P2 | 6-1437514-6 |

22 OBSOLETE

THIS DRAWING IS A CONTROLLED DOCUMENT.

DIMENSIONS: mm

TOLERANCES UNLESS OTHERWISE SPECIFIED:

| | | |
|--------|---|------------|
| 0. PLC | ± | - |
| 1. PLC | ± | - |
| 2. PLC | ± | 0.13[.005] |
| 3. PLC | ± | - |
| 4. PLC | ± | - |
| ANGLES | ± | - |

MATERIAL: 1

FINISH: -

TE Connectivity

HOLITE CONTACTS

108-1979

114-13033

0.000000

00779

147699

SCALE: NTS

SHEET 1 of 1

REV F