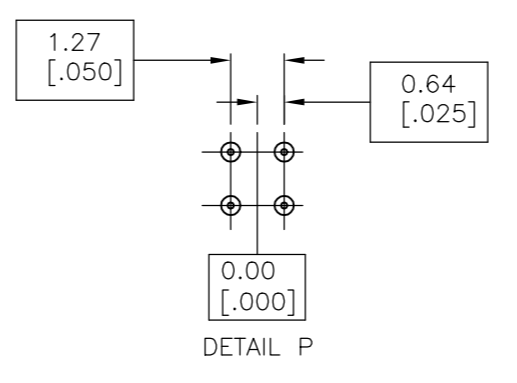
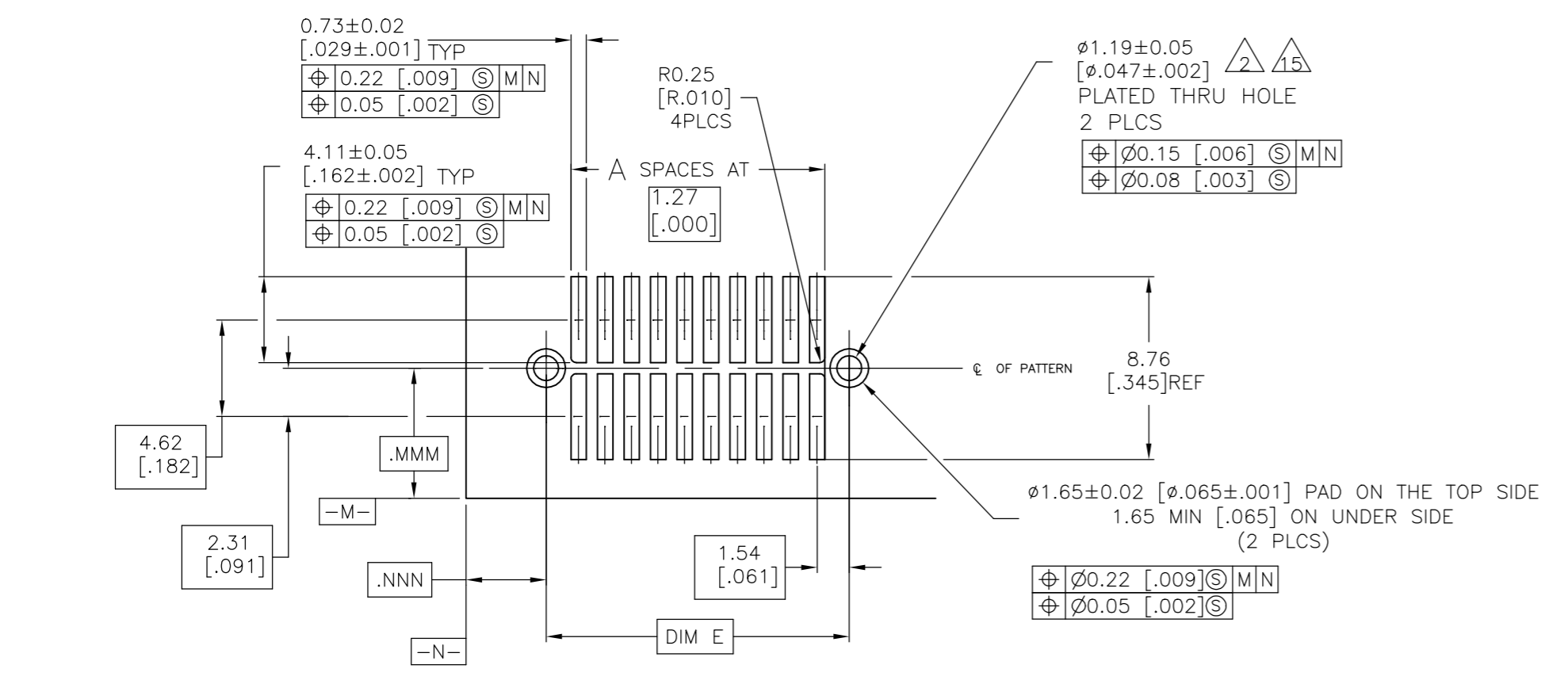
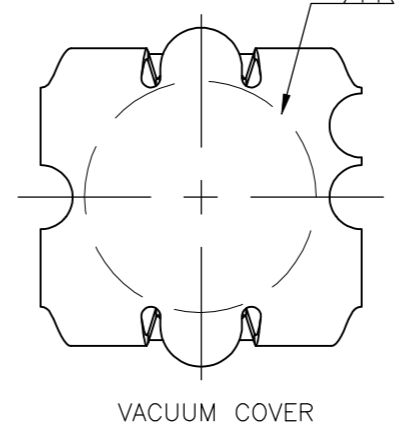
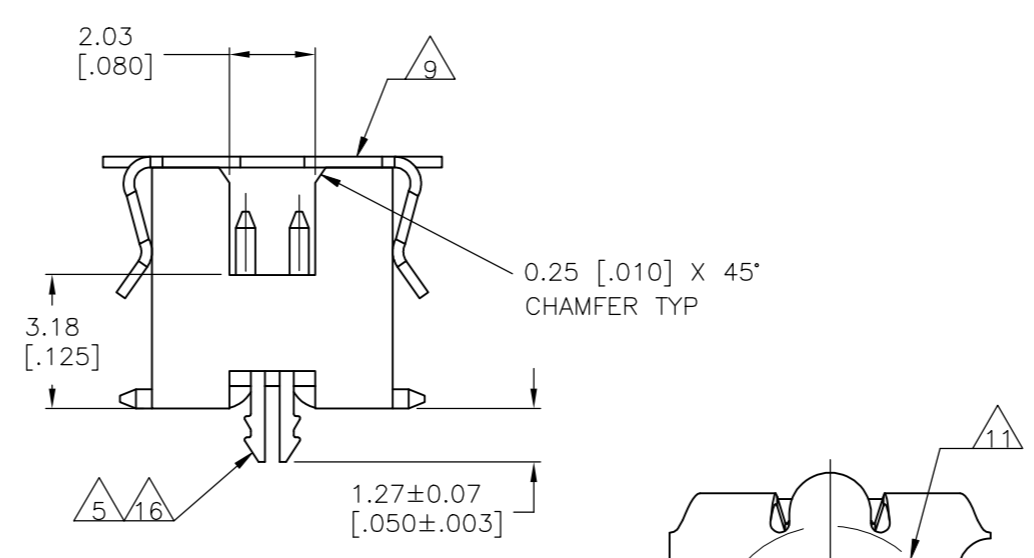
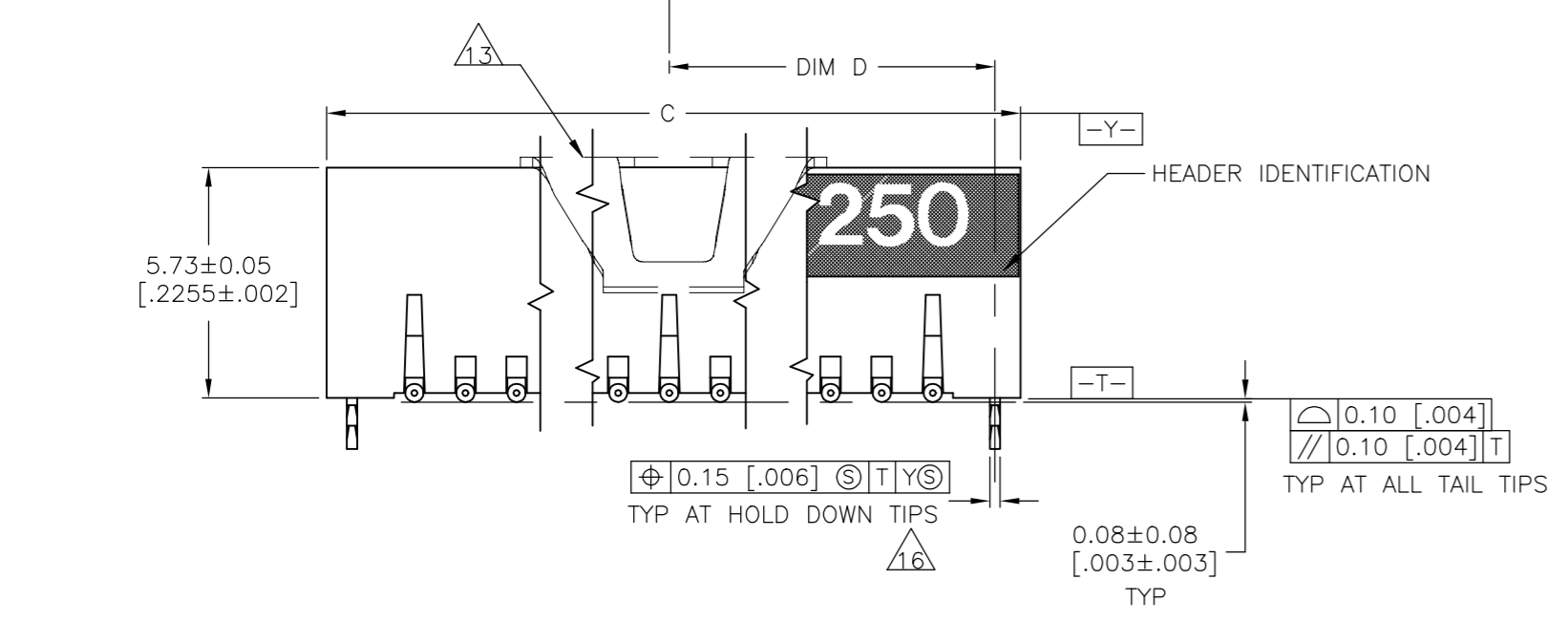
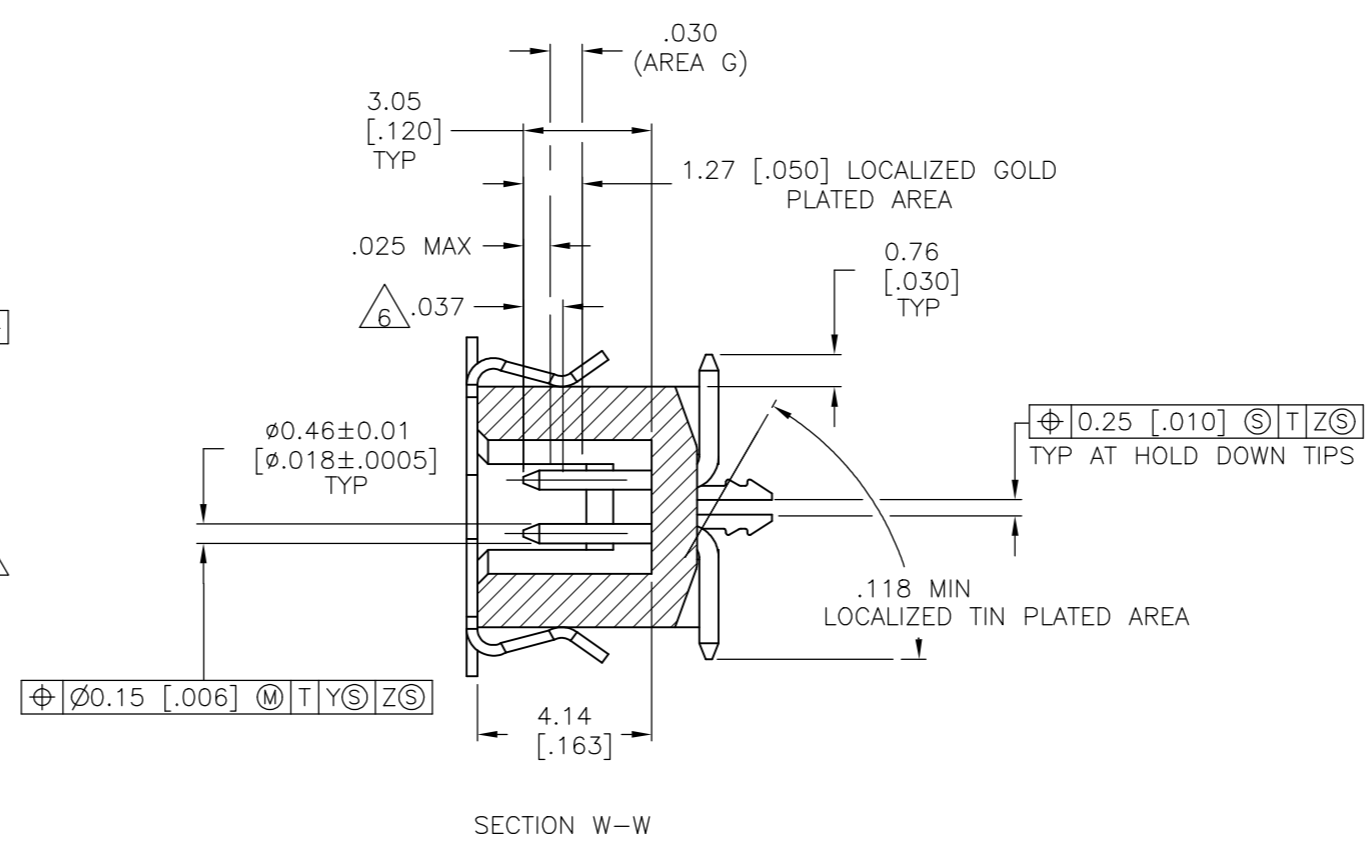
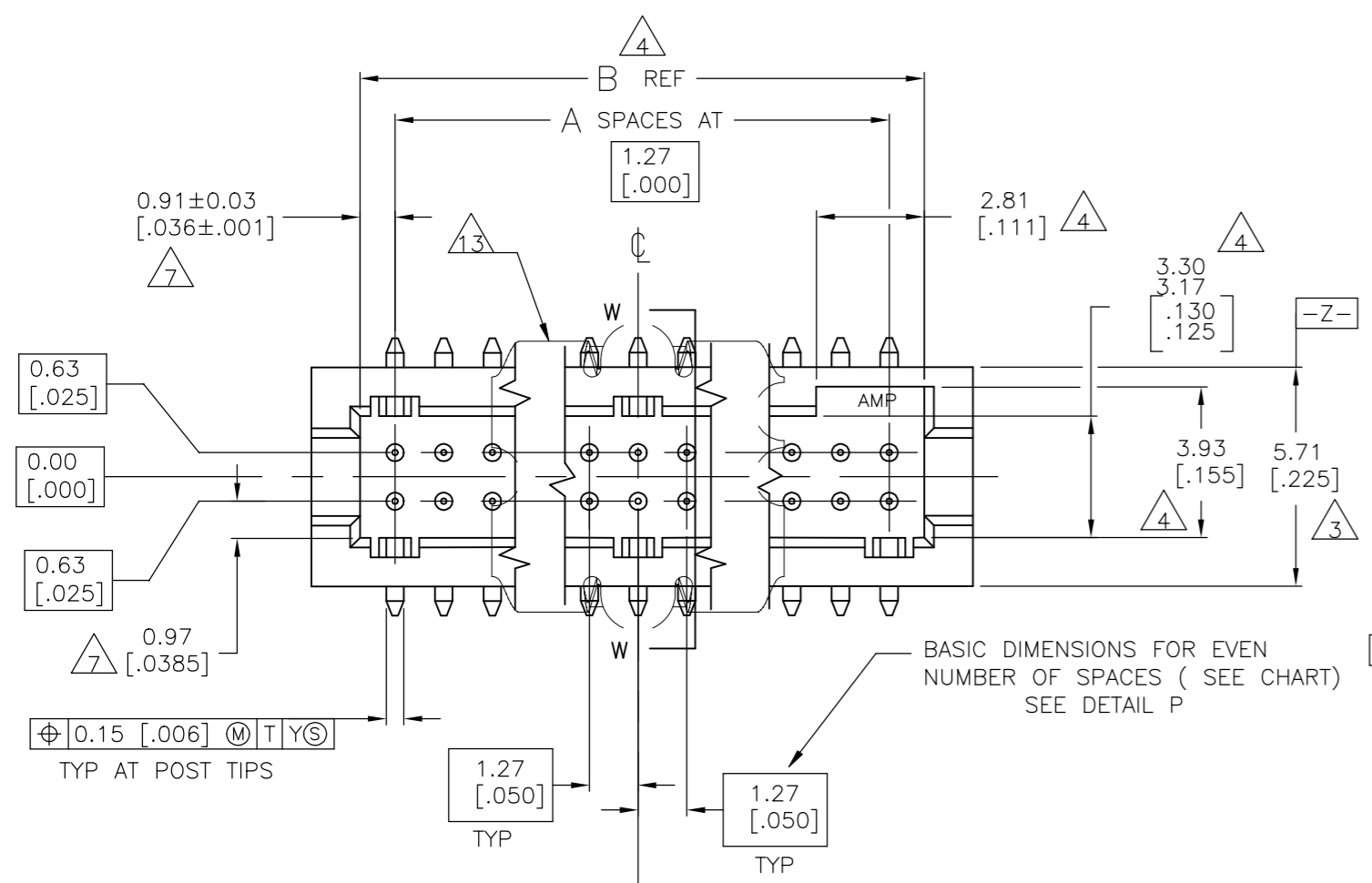


| REVISIONS |     |                           |           |     |      |
|-----------|-----|---------------------------|-----------|-----|------|
| P         | LTR | DESCRIPTION               | DATE      | DWN | APVD |
| C2        |     | REVISED PER ECO-09-021826 | 07JAN10   | KK  | AEG  |
| C3        |     | REVISED PER ECO-17-009871 | 07JUL2017 | RS  | JO   |
| D         |     | REVISED PER ECO-17-016552 | 21NOV2017 | RS  | JO   |
| D1        |     | REVISED PER ECO-17-017496 | 01DEC2017 | RS  | JO   |



1. 0.00076[.000030] GOLD AT POINT OF MEASUREMENT, 0.00051[.000020] MIN AT THE END POINTS OF AREA G, (LOCALIZED PLATE AREA), 0.0038[.000150] TIN-LEAD ON LOCALIZED TIN-LEAD PLATED AREA, ALL OVER 0.0013[.000050] NICKEL
2. USE 1.55±0.02 [.0610±.0010] DRILLED HOLE (1.55mm DRILL). FINISH TO BE TIN-LEAD OVER 0.02 [.001] MIN COPPER.
3. DIMENSION APPLIES AT BASE OF SHROUD.
4. THE NOTED DIMENSIONS APPLY AT THE MATING FACE OF THE HOUSING.
5. 0.0038 [.000150] TIN-LEAD ON HOLD DOWN, ALL OVER 0.0013 [.000050] NICKEL.
6. POINT OF MEASUREMENT.
7. DIMENSIONS NOTED APPLY FROM THE BASIC DIMENSION LINE (NOT THE CIRCUIT CAVITY CENTER LINE) TO THE SURFACE INDICATED.
8. IF PLANNING TO USE MORE THAN ONE MATING PAIR OF CONNECTORS TO INTERCONNECT 2 BOARDS, PLEASE REFER TO PARA. 3.3 IN THE APPLICATION SPEC, #114-7010
9. VACUUM COVER DESIGNED FOR 4.0 [.160] DIA NOZZLE. VACUUM COVER TO BE REMOVED AFTER SOLDERING.
10. PACKAGED IN EIA 481 TAPE AND REEL. SEE TABLE FOR TAPE WIDTHS.
11. 5.5 [.216] MIN TARGET AREA FOR VACUUM PICK-UP.
12. HOUSING: LCP, COLOR-BLACK. POST: PHOSPHOR BRONZE. VACUUM COVER: ALUMINUM.
13. VACUUM COVER SHOWN IN PHANTOM LINE.
14. 0.00076[.000030] GOLD AT POINT OF MEASUREMENT, 0.00051[.000020] MIN AT THE END POINTS OF AREA G, LOCALIZED PLATE AREA, 0.0038[.000150] TIN ON LOCALIZED TIN PLATED AREA, ALL OVER 0.00127[.000050] NICKEL
15. USE 1.55±0.02 [.0610±.0010] DRILLED HOLE (1.55mm DRILL). WITH 0.02 (.001) MIN COPPER.
16. 0.00381 (.000150) TIN ON HOLDDOWN, ALL OVER 0.00127 (.000050) NICKEL.
17. OBSOLETE PARTS: OBSOLETE CIS STREAMLINING PER D.RENAUD/D.SINISI

| FINISH   | TAPE WIDTH | E     | D             | C             | B             | A             | NUMBER OF POSITIONS | PART NUMBER |            |
|----------|------------|-------|---------------|---------------|---------------|---------------|---------------------|-------------|------------|
| OBSOLETE | OBSOLETE   | 88 mm | 65.33 [2.572] | 32.66 [1.286] | 66.59 [2.622] | 64.05 [2.522] | 49                  | 100         | 5-147381-9 |
|          |            | 72 mm | 52.63 [2.072] | 26.31 [1.036] | 53.89 [2.122] | 51.35 [2.022] | 39                  | 80          | 5-147381-8 |
| OBSOLETE | OBSOLETE   | 72 mm | 46.28 [1.822] | 23.13 [0.911] | 47.54 [1.872] | 45.00 [1.772] | 34                  | 70          | 5-147381-7 |
|          |            | 56 mm | 39.93 [1.572] | 19.96 [0.786] | 41.19 [1.622] | 38.65 [1.522] | 29                  | 60          | 5-147381-6 |
| OBSOLETE | OBSOLETE   | 56 mm | 33.58 [1.322] | 16.78 [0.661] | 34.84 [1.372] | 32.30 [1.272] | 24                  | 50          | 5-147381-5 |
|          |            | 44 mm | 27.23 [1.072] | 13.61 [0.536] | 28.49 [1.122] | 25.95 [1.022] | 19                  | 40          | 5-147381-4 |
| OBSOLETE | OBSOLETE   | 32 mm | 20.88 [0.822] | 10.43 [0.411] | 22.14 [0.872] | 19.60 [0.772] | 14                  | 30          | 5-147381-3 |
|          |            | 24 mm | 14.53 [0.572] | 7.26 [0.286]  | 15.79 [0.622] | 13.25 [0.522] | 9                   | 20          | 5-147381-2 |
| OBSOLETE | OBSOLETE   | 24 mm | 8.18 [0.322]  | 4.08 [0.161]  | 9.44 [0.372]  | 6.90 [0.272]  | 4                   | 10          | 5-147381-1 |
|          |            | 88 mm | 65.33 [2.572] | 32.66 [1.286] | 66.59 [2.622] | 64.05 [2.522] | 49                  | 100         | 147381-9   |
| OBSOLETE | OBSOLETE   | 72 mm | 52.63 [2.072] | 26.31 [1.036] | 53.89 [2.122] | 51.35 [2.022] | 39                  | 80          | 147381-8   |
|          |            | 72 mm | 46.28 [1.822] | 23.13 [0.911] | 47.54 [1.872] | 45.00 [1.772] | 34                  | 70          | 147381-7   |
| OBSOLETE | OBSOLETE   | 56 mm | 39.93 [1.572] | 19.96 [0.786] | 41.19 [1.622] | 38.65 [1.522] | 29                  | 60          | 147381-6   |
|          |            | 56 mm | 33.58 [1.322] | 16.78 [0.661] | 34.84 [1.372] | 32.30 [1.272] | 24                  | 50          | 147381-5   |
| OBSOLETE | OBSOLETE   | 44 mm | 27.23 [1.072] | 13.61 [0.536] | 28.49 [1.122] | 25.95 [1.022] | 19                  | 40          | 147381-4   |
|          |            | 32 mm | 20.88 [0.822] | 10.43 [0.411] | 22.14 [0.872] | 19.60 [0.772] | 14                  | 30          | 147381-3   |
| OBSOLETE | OBSOLETE   | 24 mm | 14.53 [0.572] | 7.26 [0.286]  | 15.79 [0.622] | 13.25 [0.522] | 9                   | 20          | 147381-2   |
|          |            | 24 mm | 8.18 [0.322]  | 4.08 [0.161]  | 9.44 [0.372]  | 6.90 [0.272]  | 4                   | 10          | 147381-1   |

THIS DRAWING IS A CONTROLLED DOCUMENT. DIM B HAYMAKER 28JAN00. DIM C J. MOSIER 28JAN00. DIM D J. MOSIER 28JAN00. DIM E J. MOSIER 28JAN00.

DIMENSIONS: mm [INCHES]. TOLERANCES UNLESS OTHERWISE SPECIFIED: 0 PLC ± .01, 1 PLC ± .01, 2 PLC ± .01, 3 PLC ± .01, 4 PLC ± .01, ANGLES ± .01.

MATERIAL: SEE TABLE. FINISH: SEE TABLE.

NAME: HEADER ASSEMBLY, SURFACE MOUNT, AMPMODU 50/50 GRID (6.35 [.250] MATED HEIGHT).

SIZE: 114-7010. CAGE CODE: 00779. DRAWING NO: 147381.

CUSTOMER DRAWING. SCALE: 8:1. SHEET 1 OF 1. REV D1.