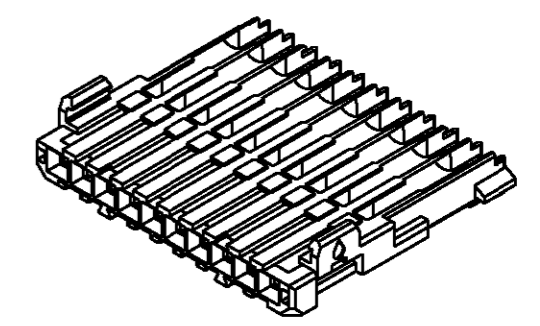
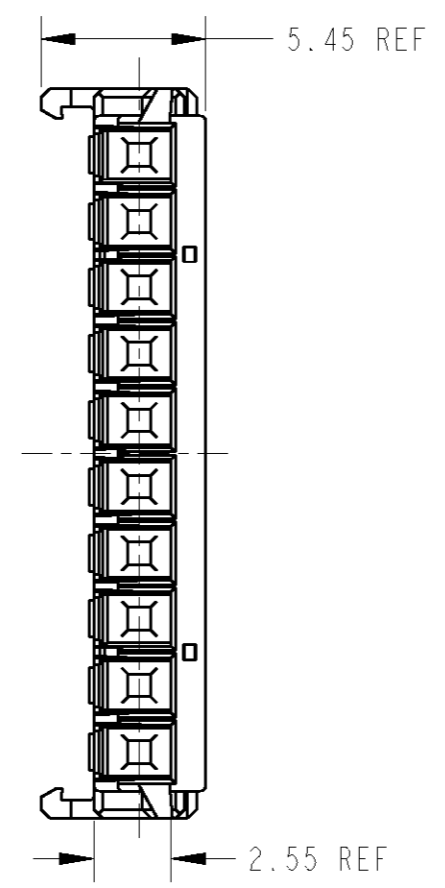
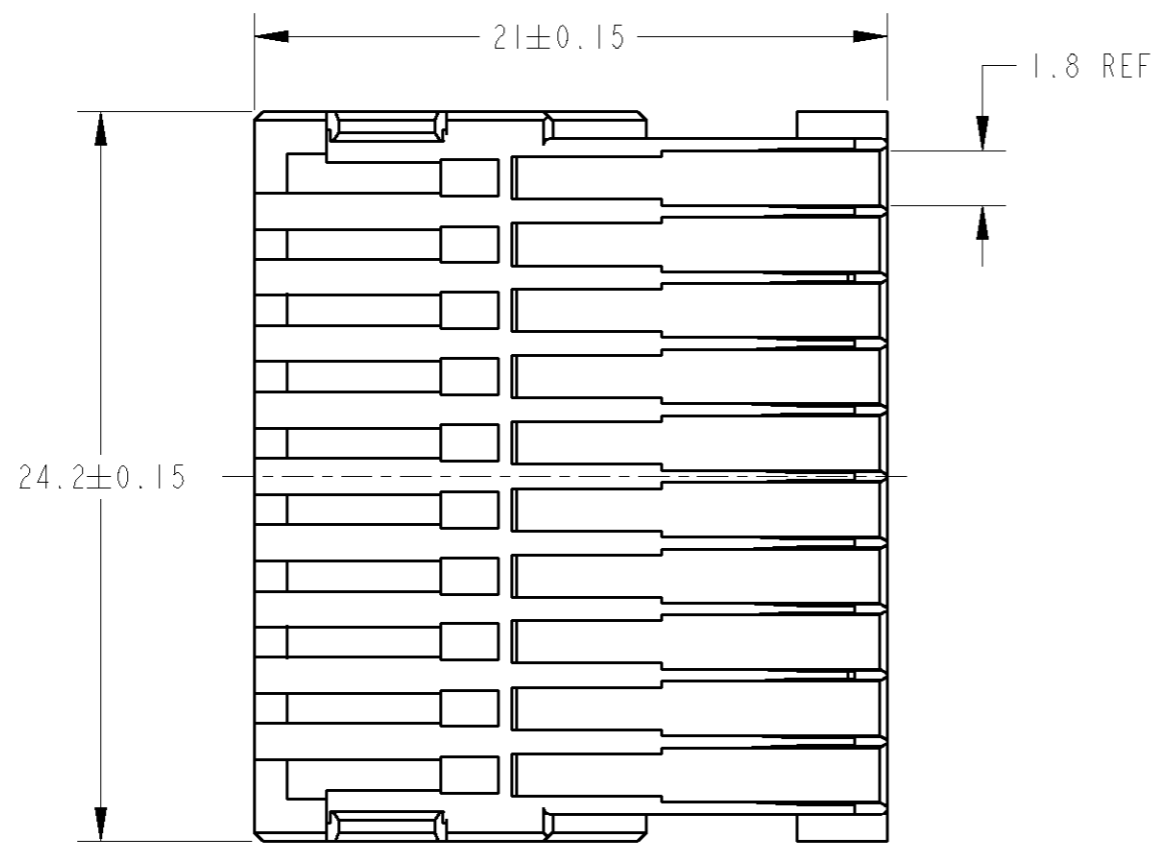
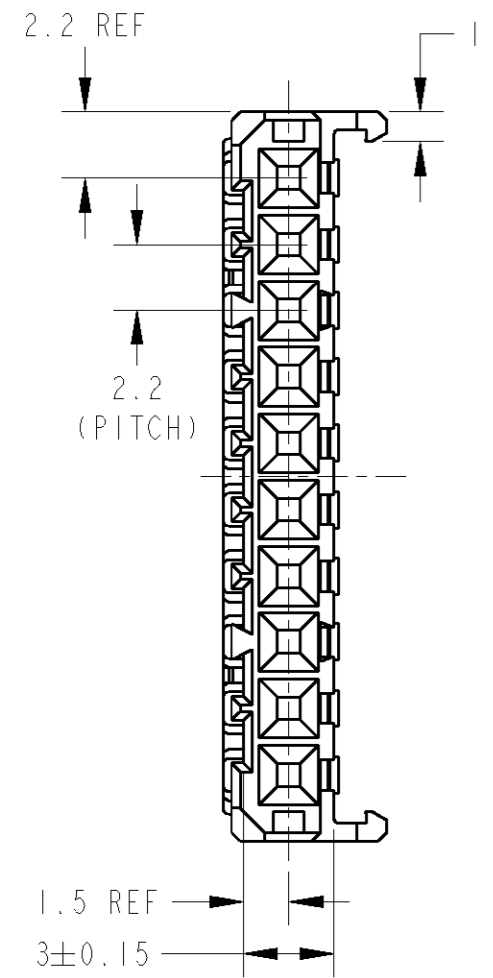
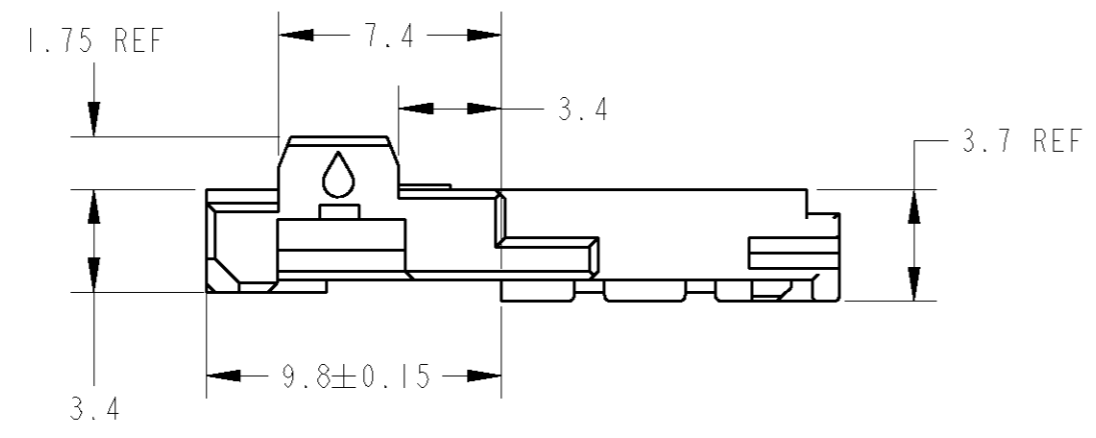


THIS DRAWING IS UNPUBLISHED. RELEASED FOR PUBLICATION 20
 © COPYRIGHT 20 BY TYCO ELECTRONICS CORPORATION. ALL RIGHTS RESERVED.

LOC	DIST	REVISIONS						
		P	LTR	DESCRIPTION	ECN	DATE	DWN	APVD
J		0		RELEASED	FJ00-2067-01	10OCT01	SA	NS



SCALE 2:1



- 適応端子型番: 1318688, 1565403, 1565404
- 本品はロックハウジング型番 1473808を装着して使用する。
- 取扱説明書; 411-5912
- 嵌合相手型番; 1473750

- APPLICABLE TERMINAL PART NO: 1318688, 1565403, 1565404
- LOCK HOUSING MUST BE USED WITH LOCK HOUSING
P/N: 1473808
- INSTRUCTION SHEET No; 411-5912
- PART NUMBER OF HOUSINGS TO BE MATED; 1473750

NATURAL	1473807-1
HOUSING COLOR	PART NUMBER

THIS DRAWING IS A CONTROLLED DOCUMENT FOR TYCO ELECTRONICS CORPORATION IT IS SUBJECT TO CHANGE AND THE CONTROLLING ENGINEERING ORGANIZATION SHOULD BE CONTACTED FOR THE LATEST REVISION.		DWN S. AMEMIYA	10OCT01	Tyco Electronics AMP K.K. Kawasaki, Japan
DIMENSIONS: 単位: 概 mm		CHK N. SAI	10OCT01	
TOLERANCES UNLESS OTHERWISE SPECIFIED: 一般公差; ±0.3		APVD N. SAI	10OCT01	
		PRODUCT SPEC 108-5660		NAME 名称 10 POSITION PLUG HOUSING 025 IDC CONNECTOR
MATERIAL 材料 PBT		APPLICATION SPEC 114-5276		
FINISH 仕上 見 TABLE		WEIGHT	1.1 g	SIZE A3
CUSTOMER DRAWING		CAGE CODE	00779	DRAWING NO 番号 1473807
		SCALE 尺度	4:1	SHEET 1
		RESTRICTED TO		REV 0