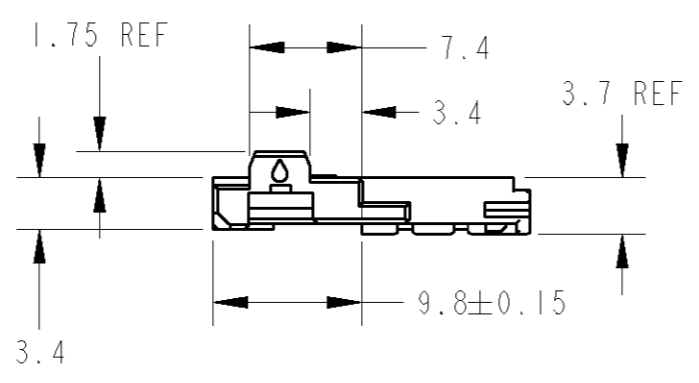
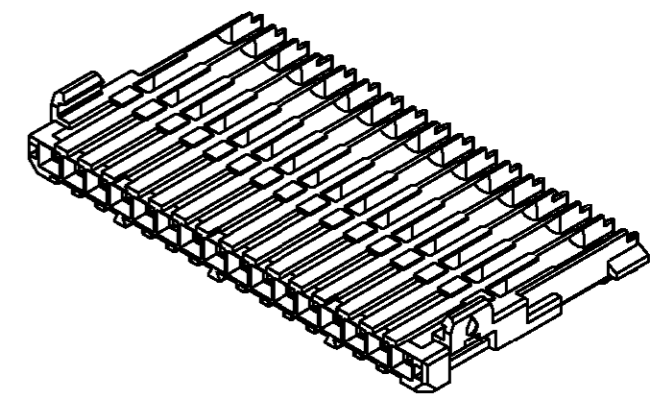
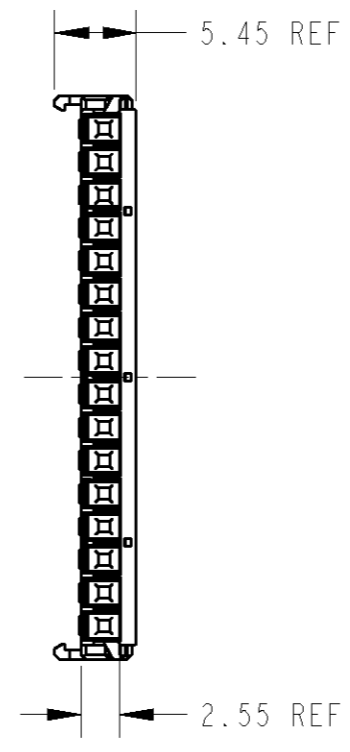
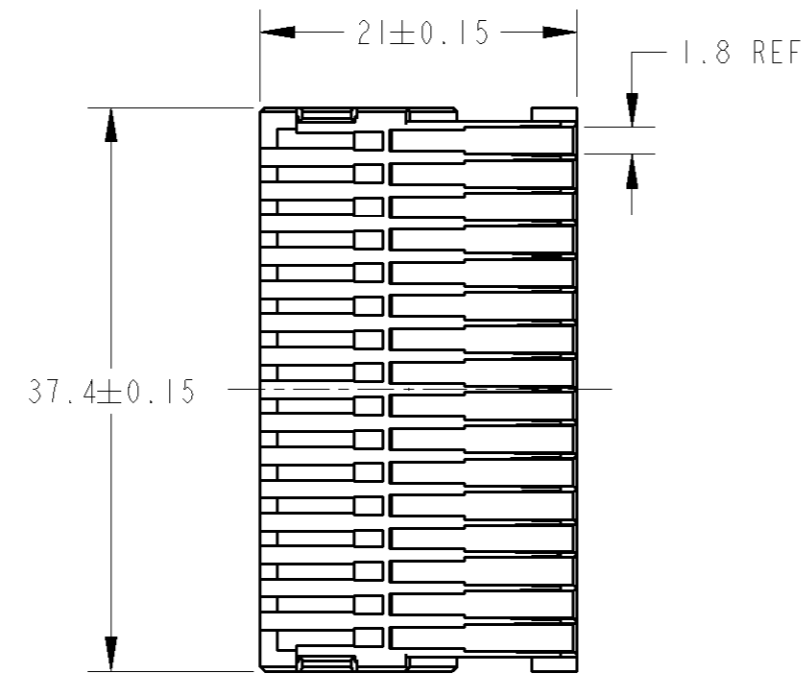
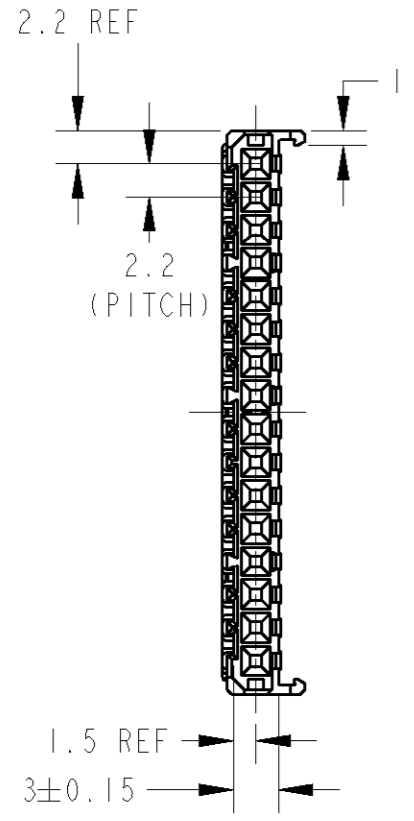


THIS DRAWING IS UNPUBLISHED. RELEASED FOR PUBLICATION 20
 © COPYRIGHT 20 BY TYCO ELECTRONICS CORPORATION. ALL RIGHTS RESERVED.

LOC	DIST	REVISIONS						
		P	LTR	DESCRIPTION	ECN	DATE	DWN	APVD
J		0		RELEASED	FJ00-2067-01	10OCT01	SA	NS



1. 適応端子型番: 1318688, 1565403, 1565404
2. 本品はロックハウジング型番 1473806を装着して使用する。
3. 取扱説明書; 411-5912
4. 嵌合相手型番; 1473799, 1318745

1. APPLICABLE TERMINAL PART NO: 1318688, 1565403, 1565404
2. LOCK HOUSING MUST BE USED WITH LOCK HOUSING P/N: 1473806
3. INSTRUCTION SHEET No; 411-5912
4. PART NUMBER OF HOUSINGS TO BE MATED ; 1473799, 1318745

NATURAL	1473805-1
HOUSING COLOR	PART NUMBER

THIS DRAWING IS A CONTROLLED DOCUMENT FOR TYCO ELECTRONICS CORPORATION IT IS SUBJECT TO CHANGE AND THE CONTROLLING ENGINEERING ORGANIZATION SHOULD BE CONTACTED FOR THE LATEST REVISION.		DWN	10OCT2001	AMP Tyco Electronics AMP K.K. Kawasaki, Japan
DIMENSIONS: 単位: 毫米 mm		CHK	N.SAI	
TOLERANCES UNLESS OTHERWISE SPECIFIED: 一般公差; ±0.3		APVD	N.SAI	NAME 名称 16POSITION PLUG HOUSING 025 IDC CONNECTOR
0-PLC ±		PRODUCT SPEC	108-5660	
1-PLC ±0.1		APPLICATION SPEC	114-5276	SIZE A3 CAGE CODE 00779 DRAWING NO 1473805 RESTRICTED TO
2-PLC ±0.01		WEIGHT	1.6g	
3-PLC ±0.001		CUSTOMER DRAWING		SCALE 2:1 SHEET 1 OF 1 REV 0
4-PLC ±0.0001				
ANGLES ±3'00"				
MATERIAL 材料	PBT	FINISH 仕上	SEE TABLE	