

4

3

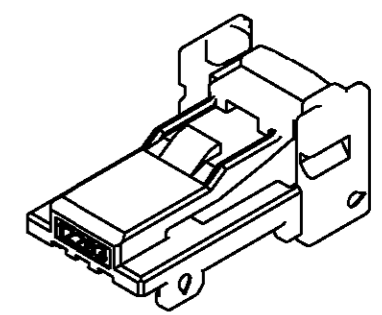
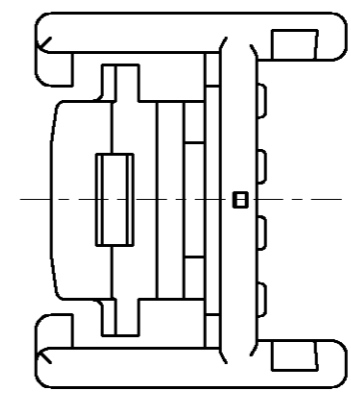
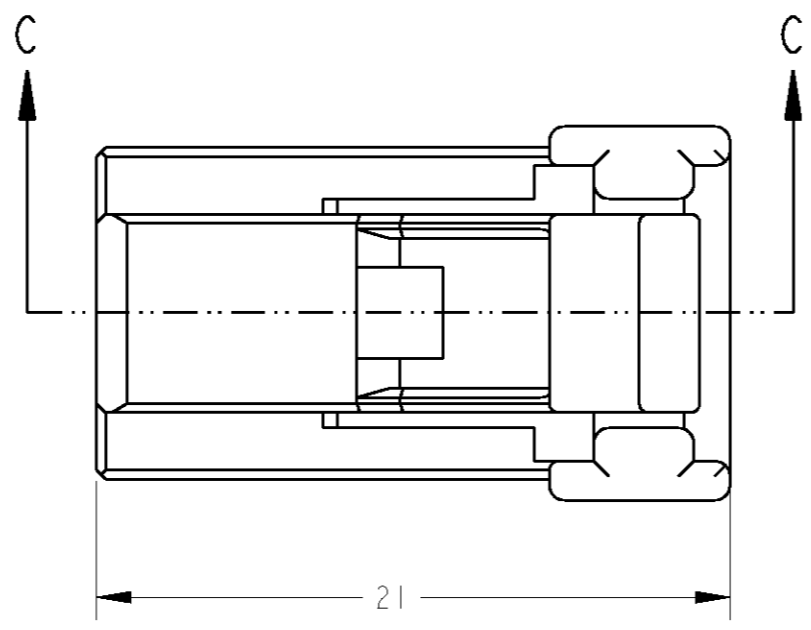
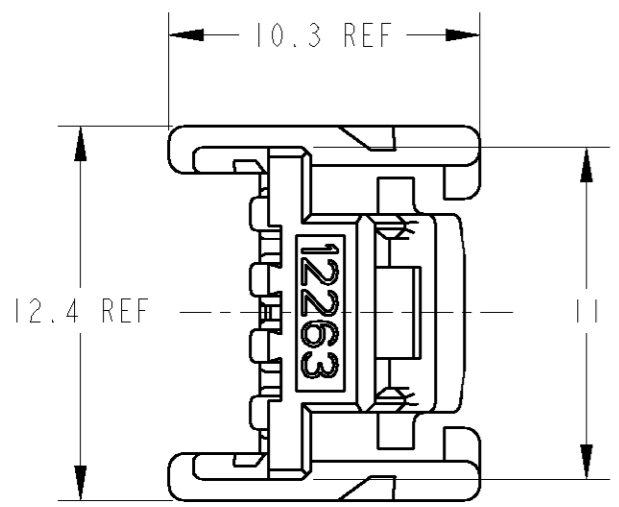
2

1

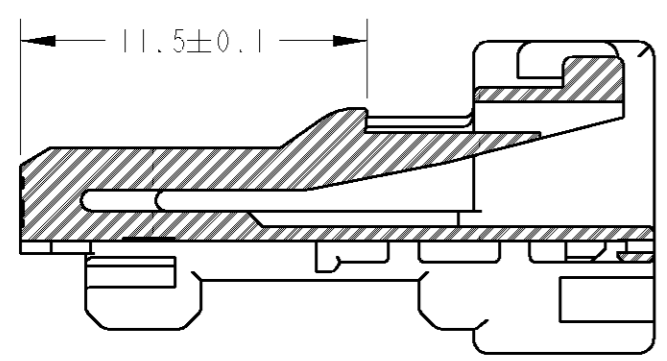
THIS DRAWING IS UNPUBLISHED. RELEASED FOR PUBLICATION 20

© COPYRIGHT 20 BY TYCO ELECTRONICS CORPORATION. ALL RIGHTS RESERVED.

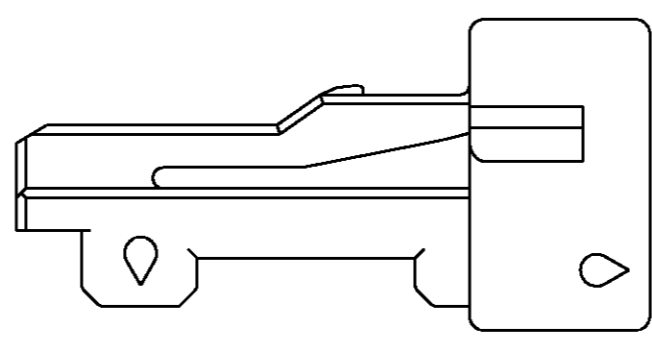
LOC	DIST	REVISIONS						
		P	LTR	DESCRIPTION	ECN	DATE	DWN	APVD
J		0		RELEASED	FJ00-2067-01	10OCT01	SA	NS



SCALE 2:1



C-C



- 1. 本品はプラグハウジング型番 1473800を装着して使用する。
- 2. 取扱説明書; 411-5912
- 3. 嵌合相手型番; 1473790

- 1. PLUG HOUSING MUST BE USED WITH PLUG HOUSING P/N:1473800
- 2. INSTRUCTION SHEET No; 411-5912
- 3. PART NUMBER OF HOUSINGS TO BE MATED; 1473790

NATURAL	1473801-1
HOUSING COLOR	PART NUMBER

THIS DRAWING IS A CONTROLLED DOCUMENT FOR TYCO ELECTRONICS CORPORATION IT IS SUBJECT TO CHANGE AND THE CONTROLLING ENGINEERING ORGANIZATION SHOULD BE CONTACTED FOR THE LATEST REVISION.		DWN	S. AMEMIYA	10OCT2001	<b>AMP</b> Tyco Electronics AMP K.K. Kawasaki, Japan
DIMENSIONS: 単位: 概 mm		CHK	N. SAI	10OCT2001	
TOLERANCES UNLESS OTHERWISE SPECIFIED: 一般公差; ±0.3		APVD	N. SAI	10OCT2001	NAME 名称 4POSITION LOCK HOUSING 025 IDC CONNECTOR
0-PLC ±		PRODUCT SPEC	製品規格	108-5660	
1-PLC ±0.1		APPLICATION SPEC	取付適用規格	114-5276	SIZE A3
2-PLC ±0.01		WEIGHT		0.9g	
3-PLC ±0.001		CUSTOMER DRAWING	SCALE 尺度 4:1		RESTRICTED TO
4-PLC ±0.0001			CAGE CODE 番号 00779		
ANGLES ±3'00"		DRAWING NO 番号 C-1473801		SHEET 1 OF 1	
MATERIAL 材料 PBT	FINISH 仕上 SEE TABLE	REV 0			