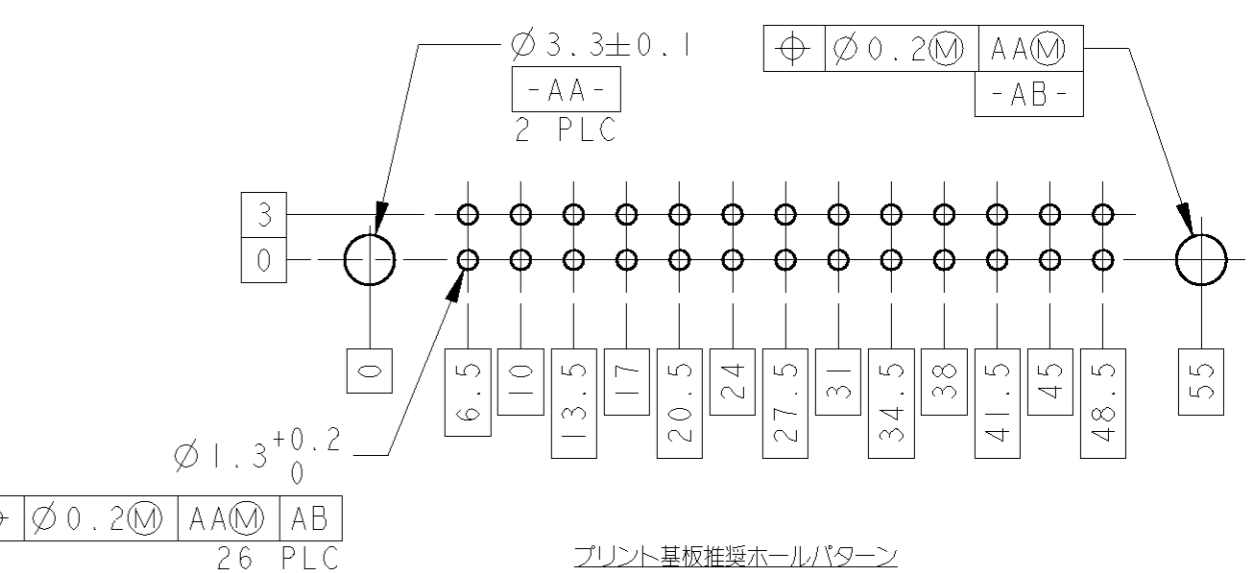
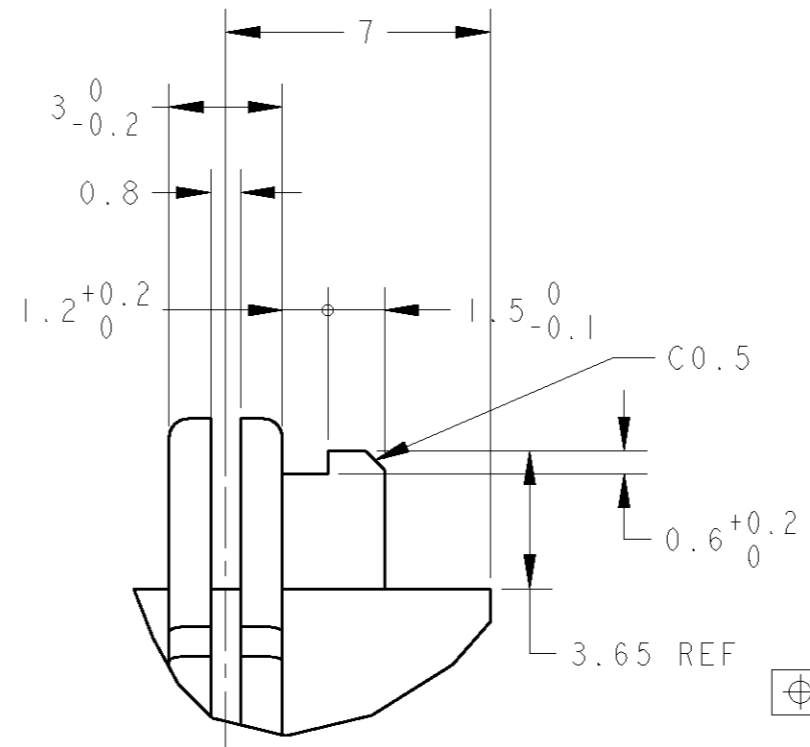
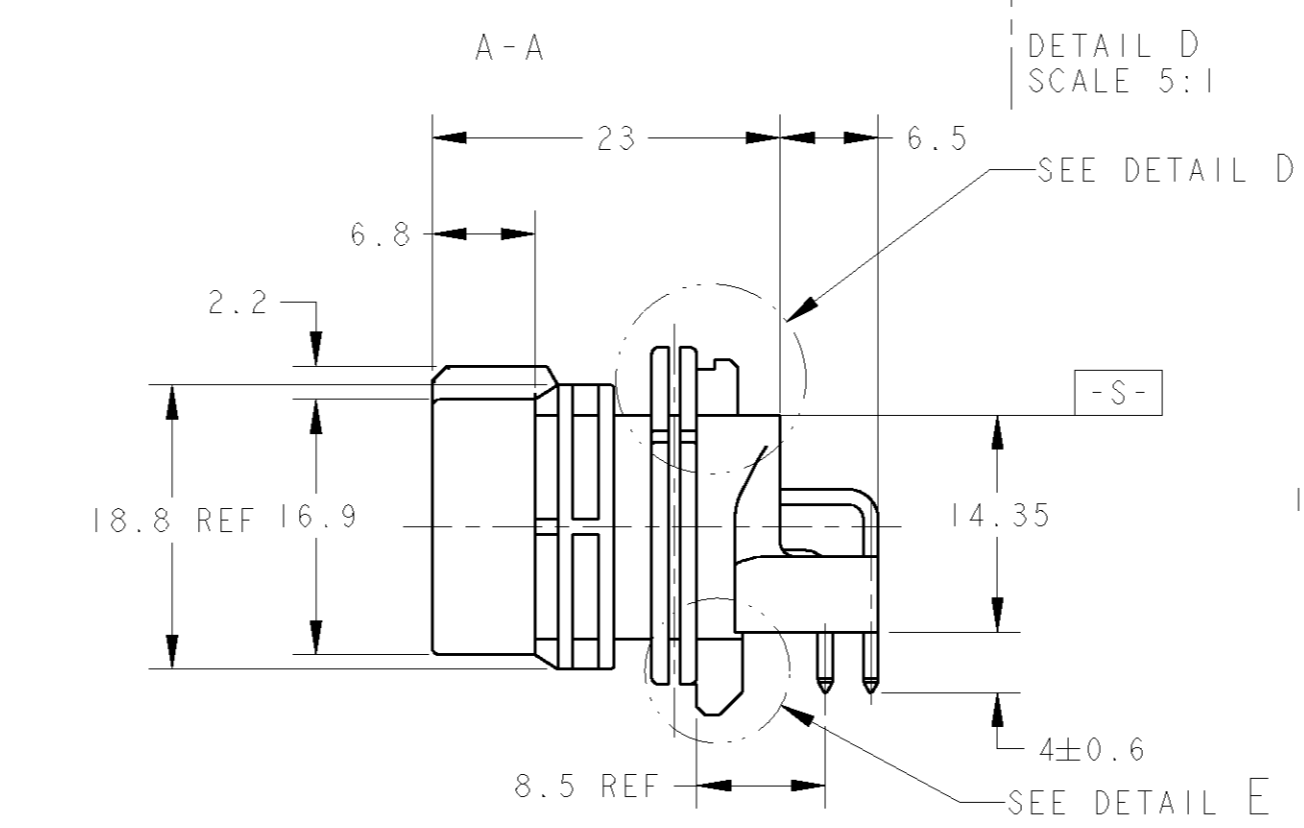
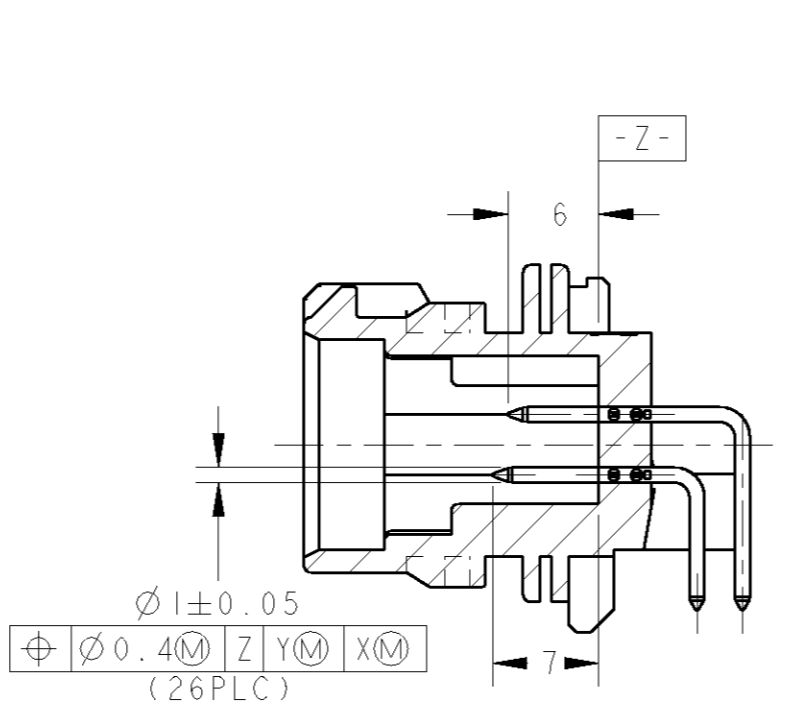
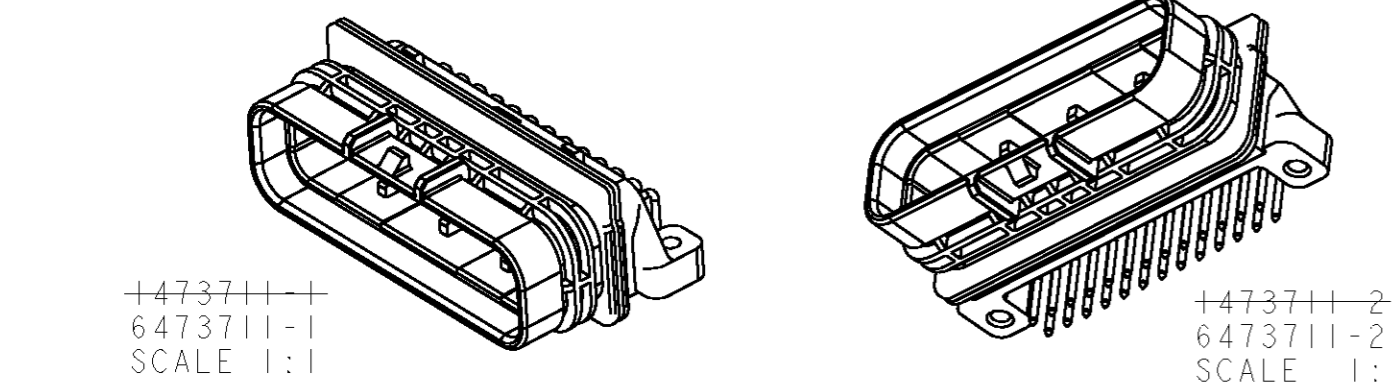
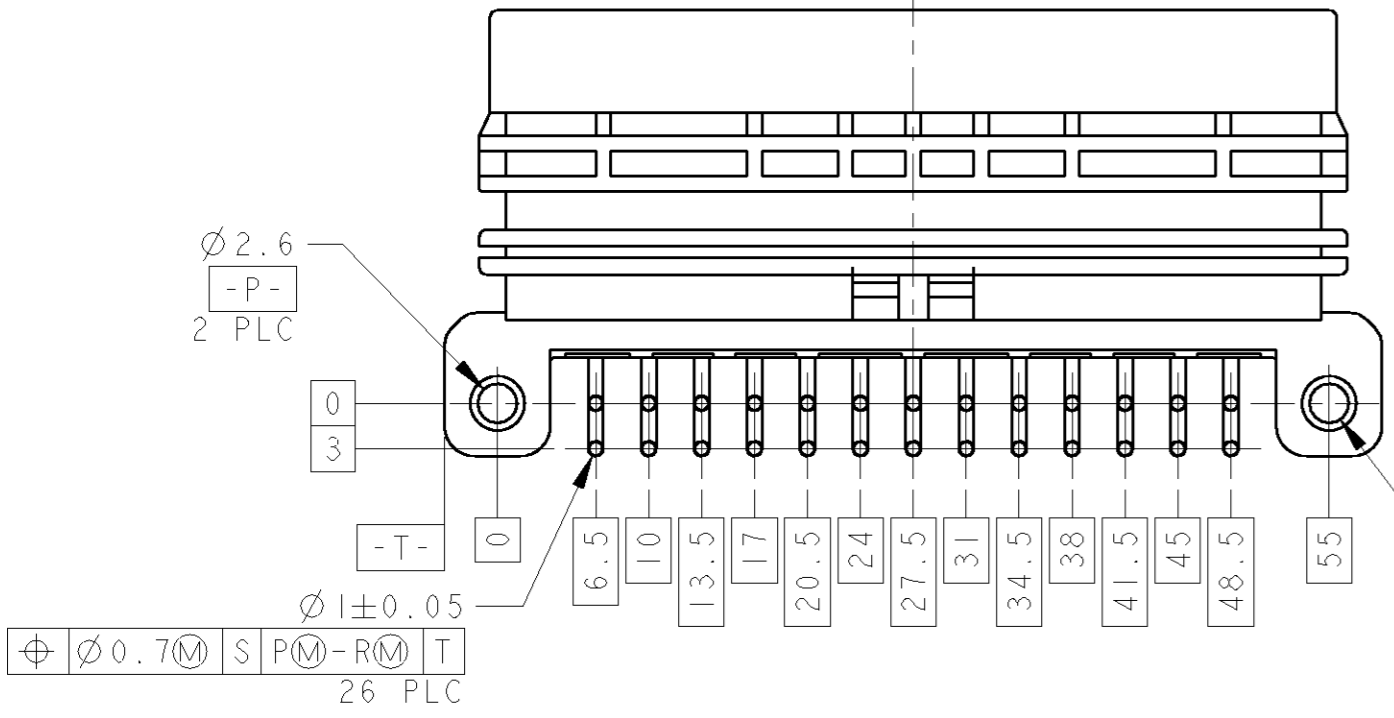
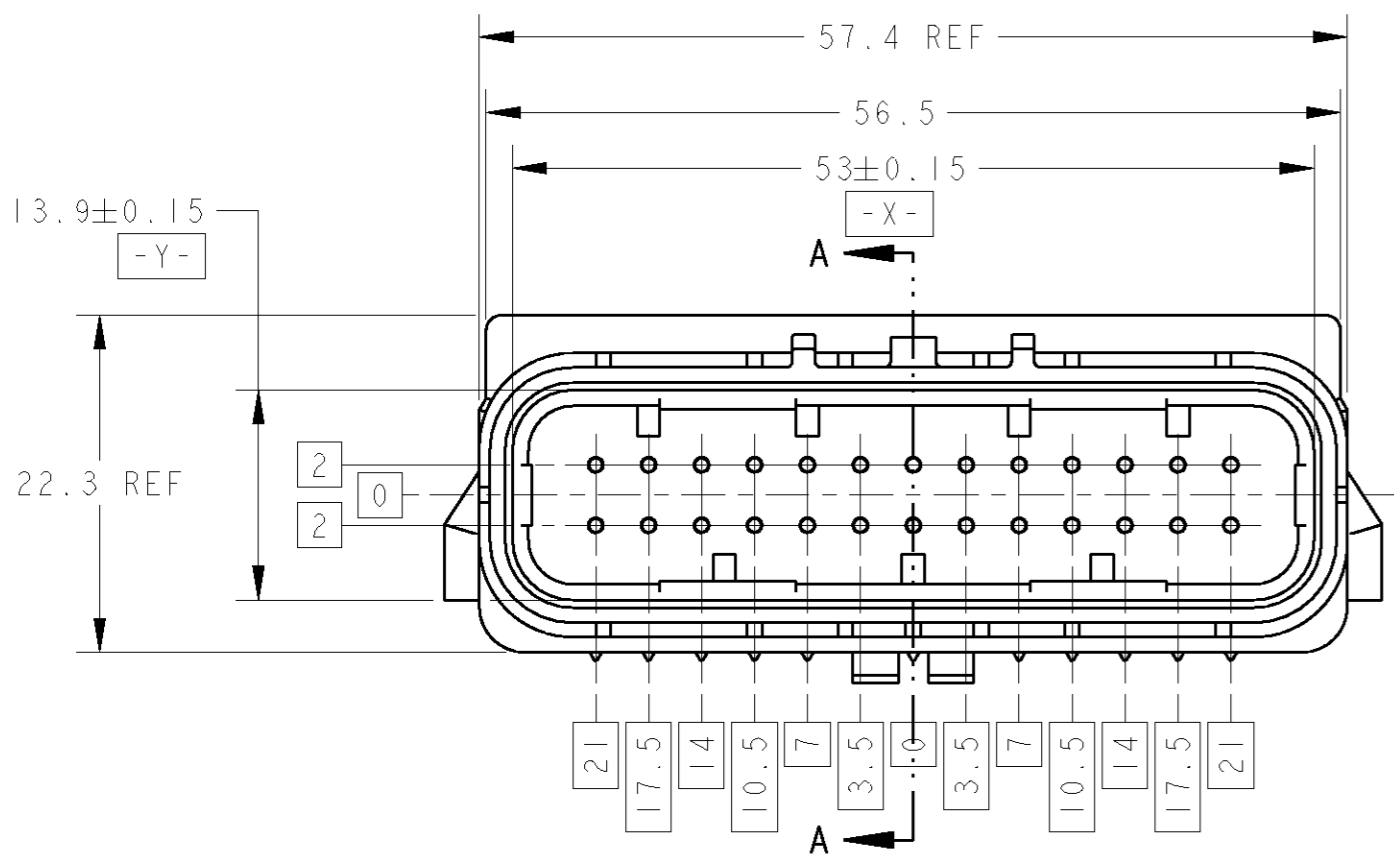
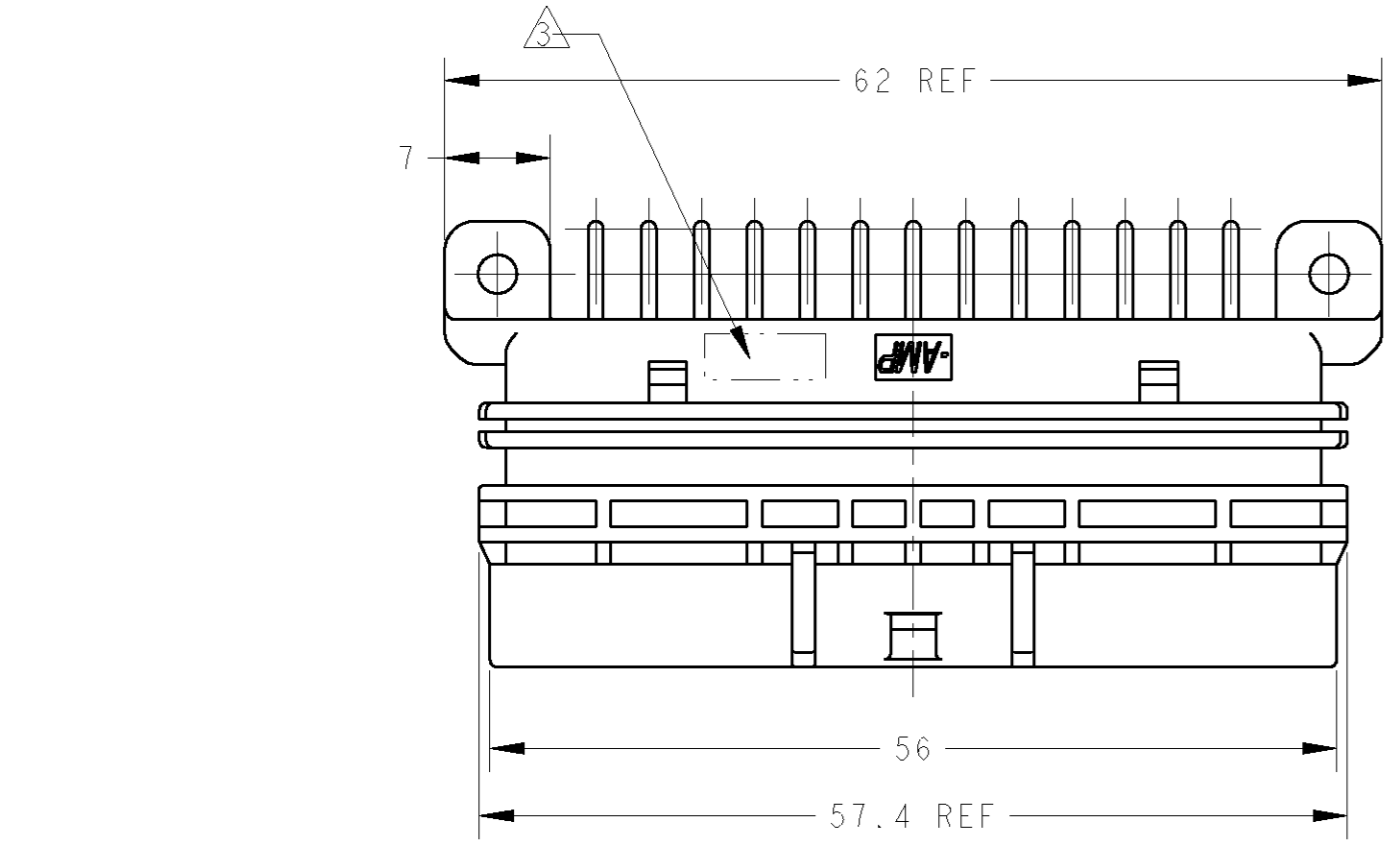
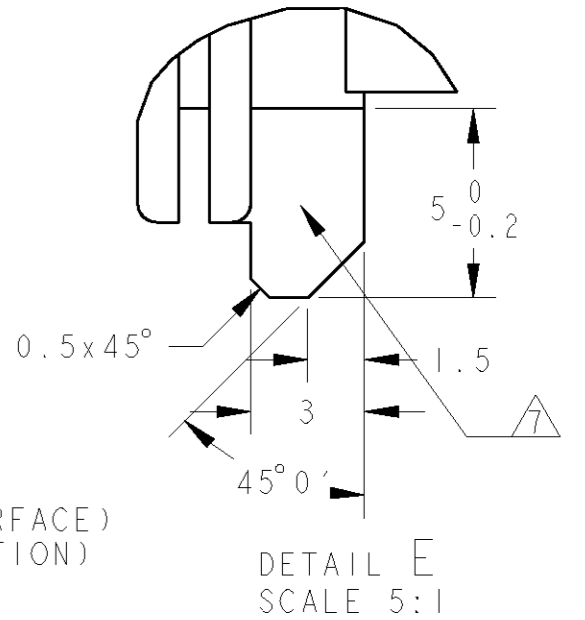
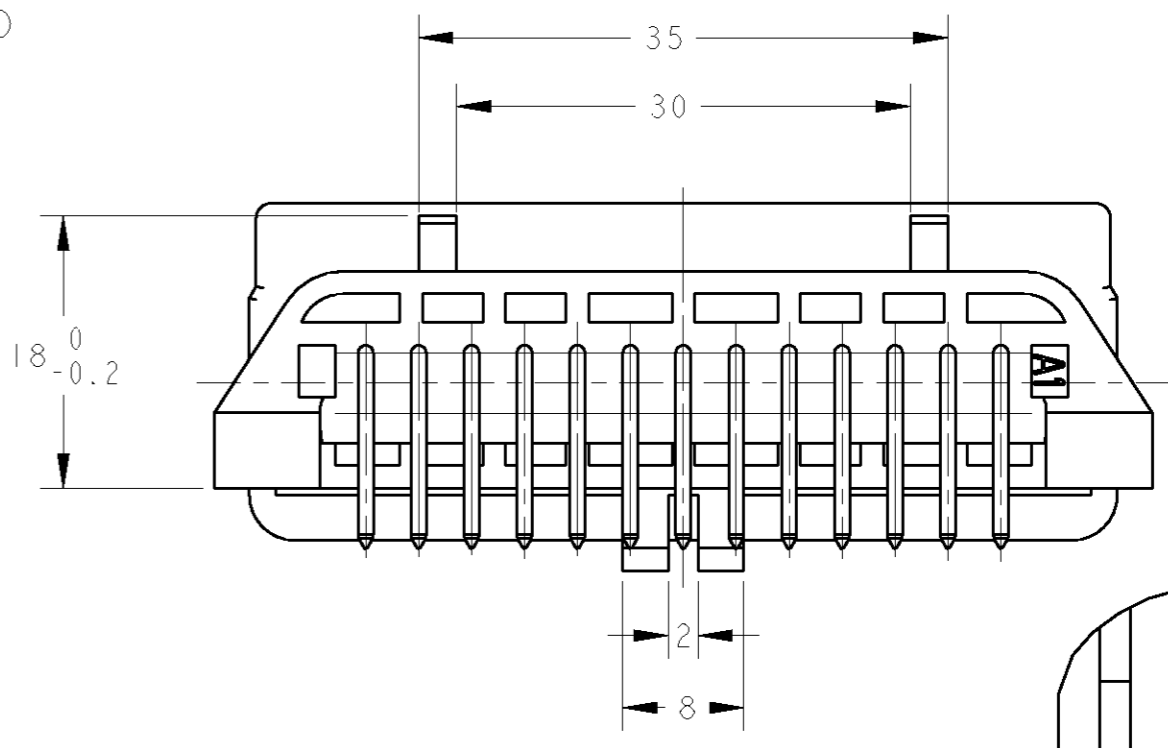


THIS DRAWING IS UNPUBLISHED. RELEASED FOR PUBLICATION 20  
 © COPYRIGHT 20 BY TYCO ELECTRONICS CORPORATION. ALL RIGHTS RESERVED.

| LOC | DIST | REVISIONS |         |               |         |     |      |
|-----|------|-----------|---------|---------------|---------|-----|------|
| J   | -    | P         | LTR     | DESCRIPTION   | DATE    | DWN | APVD |
|     |      | A         | REVISED | ECR-09-008889 | 21APR09 | TS  | KB   |



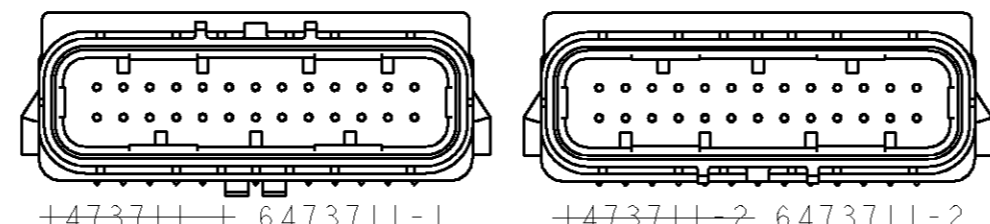
プリント基板推奨ホールパターン  
 RECOMMENDED PCB DIM.  
 (図は実装面から見た場合)  
 (CONNECTOR MOUNTING SIDE)



1. 図中指示なき公差は、±0.3  
 GENERAL TOLERANCE : ±0.3  
 材料 キャップハウジング: PPS樹脂  
 ピンコンタクト: 黄銅 ニッケル下地 金メッキ(接点部)  
 はんだメッキ(基板側)

MATERIAL  
 CAP HOUSING: PPS  
 PIN CONTACT: BRASS / NICKEL UNDERPLATE  
 GOLD PLATING (CONTACT INTERFACE)  
 SOLDER PLATING (SOLDERING PORTION)

3. 当箇所製造日管理番号(ロット番号)を印字する。  
 MANUFACTURED DATE CONTROL NO. (LOT NO.)  
 AS FOLLOWING IS INDICATED  
 4. 基板取付けねじ  
 JIS B 1122 十字穴付きタッピングねじ  
 なべ2種 3×L (L ≥ 6.5 + 基板厚)  
 先端溝付き及び溝無し (亜鉛メッキ)  
 MOUNTING SCREW  
 JIS B 1122 CROSS RECESSED PAN HEAD  
 TAPPING SCREW (ZINC PLATING)  
 TYPE 2 3×L (L = 6.5 + BOARD THICKNESS)  
 5. 推奨基板厚: ±1.6 mm  
 RECOMMENDABLE PCB THICKNESS: ±1.6 mm  
 6. ロックタイプ  
 ロックタイプは下記に示す。  
 LOCK TYPE  
 AS FOLLOWING IS INDICATED



△ 本形状は上ロックタイプ +1473711-1, 6473711-1のみとする。

8. 嵌合相手型番: 1473712-1, 1473712-2  
 PART NUMBER OF PLUG ASSEMBLY TO BE MATED:  
 1473712-1, 1473712-2

材料 キャップハウジング: PPS樹脂  
 ピンコンタクト: 黄銅 ニッケル下地 金メッキ(接点部)  
 錫メッキ(基板側)

MATERIAL  
 CAP HOUSING: PPS  
 PIN CONTACT: BRASS / NICKEL UNDERPLATE  
 GOLD PLATING (CONTACT INTERFACE)  
 TIN PLATING (SOLDERING PORTION)

|          |     |           |            |
|----------|-----|-----------|------------|
|          | △ 9 | 6473711-2 | LOWER LOCK |
|          | △ 9 | 6473711-1 | UPPER LOCK |
| OBsolete | △ 2 | 1473711-2 | LOWER LOCK |
| OBsolete | △ 2 | 1473711-1 | UPPER LOCK |
|          |     | PART NO.  | LOCK TYPE  |

| DIMENSIONS:   |  | TOLERANCES UNLESS OTHERWISE SPECIFIED: |                                 | Tyco Electronics Corporation    |  |
|---|--|--|---------------------------------|---------------------------------|--|
| mm  |  | ±0.3                                   |                                 | Kawasaki, Japan                 |  |
|   |  | 0-PLC ±0.1                             |                                 | NAME                            |  |
|   |  | 1-PLC ±0.1                             |                                 | SUPER SEAL CONNECTOR            |  |
|   |  | 2-PLC ±0.01                            |                                 | CAP HOUSING 26POS 2ROW ASSEMBLY |  |
|   |  | 3-PLC ±0.001                           |                                 | SIZE CAGE CODE DRAWING NO       |  |
|   |  | 4-PLC ±                                |                                 | 114-78011, 78013                |  |
|   |  | ANGLES ±1°00'                          |                                 | RESTRICTED TO                   |  |
|   |  | FINISH -                               |                                 | -                               |  |
| MATERIAL  |  |  |                                 | SCALE 2.1 SHEET 1 OF 1 REV A    |  |
| THIS DRAWING IS A CONTROLLED DOCUMENT FOR TYCO ELECTRONICS CORPORATION. IT IS SUBJECT TO CHANGE AND THE CONTROLLING ENGINEERING ORGANIZATION SHOULD BE CONTACTED FOR THE LATEST REVISION. |  | DWN S. HIRANUMA 31JUL02                | Tyco Electronics Corporation    |                                 |  |
|   |  | CHK K. ODA 31JUL02                     | Kawasaki, Japan                 |                                 |  |
|   |  | APVD K. ODA 31JUL02                    | NAME                            |                                 |  |
|   |  | PRODUCT SPEC 108-5824                  | SUPER SEAL CONNECTOR            |                                 |  |
|   |  | APPLICATION SPEC 114-78011, 78013      | CAP HOUSING 26POS 2ROW ASSEMBLY |                                 |  |
|   |  | WEIGHT 14.9                            | SIZE CAGE CODE DRAWING NO       |                                 |  |
|   |  | CUSTOMER DRAWING                       | A2 00779 C-1473711              |                                 |  |