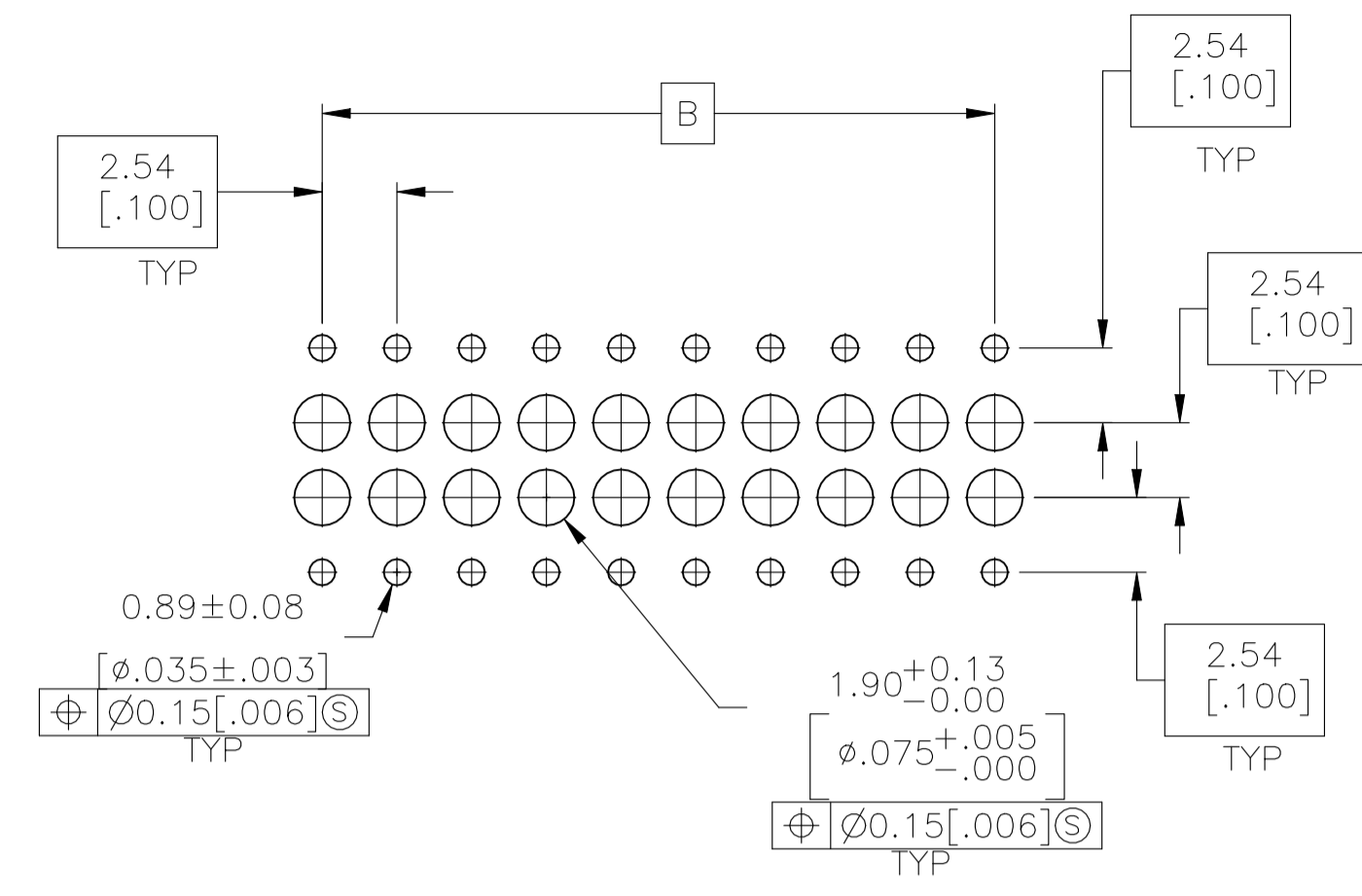
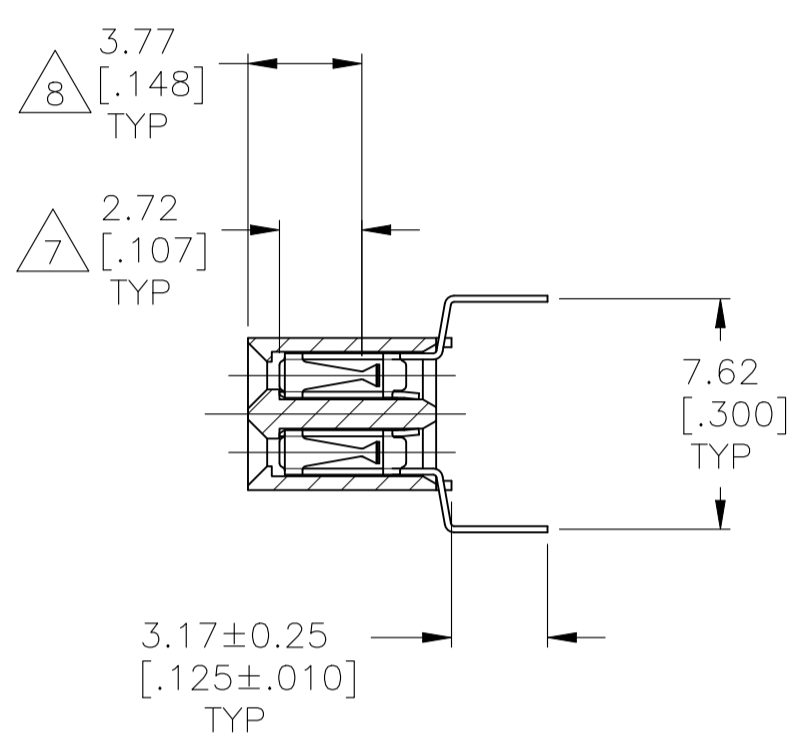
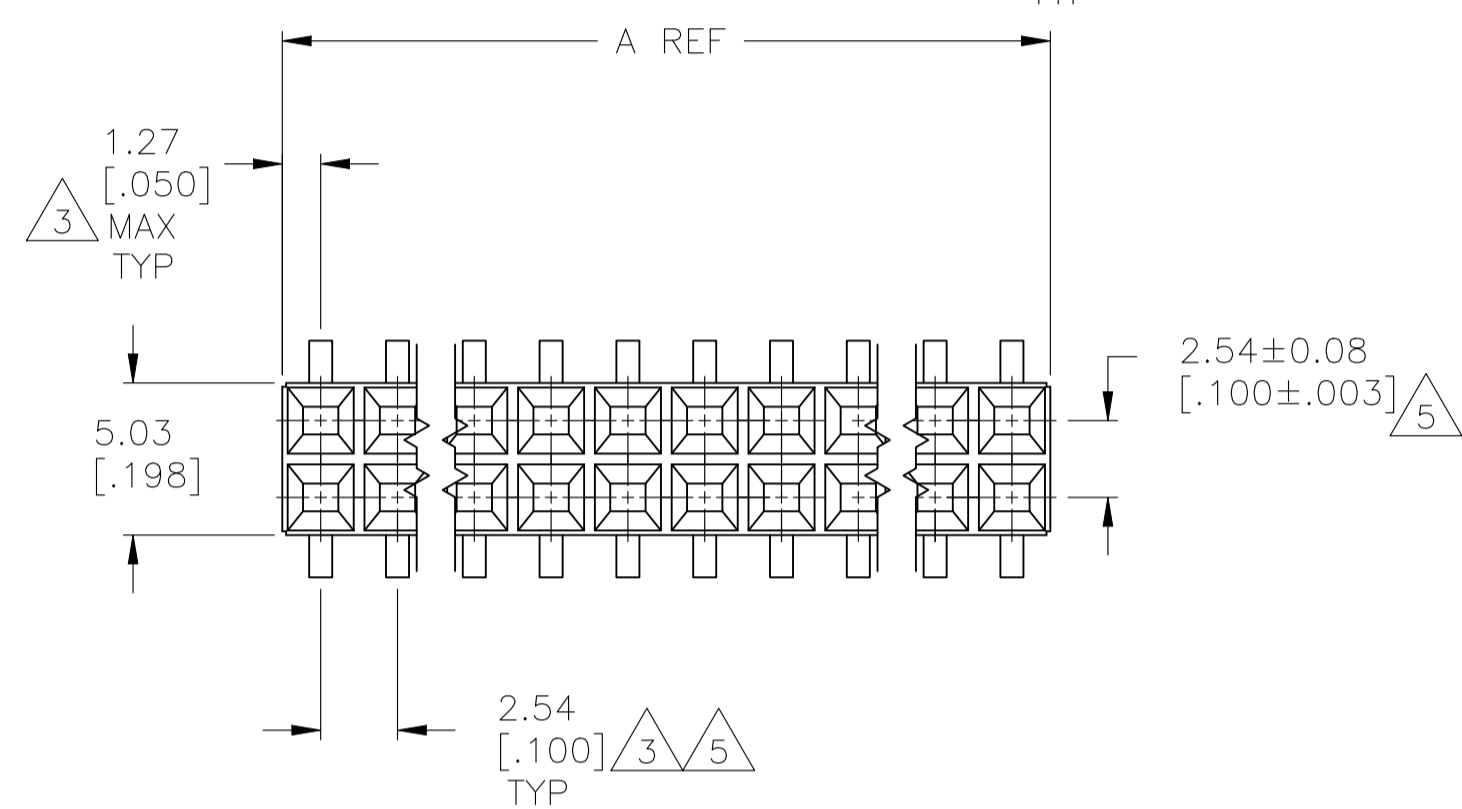
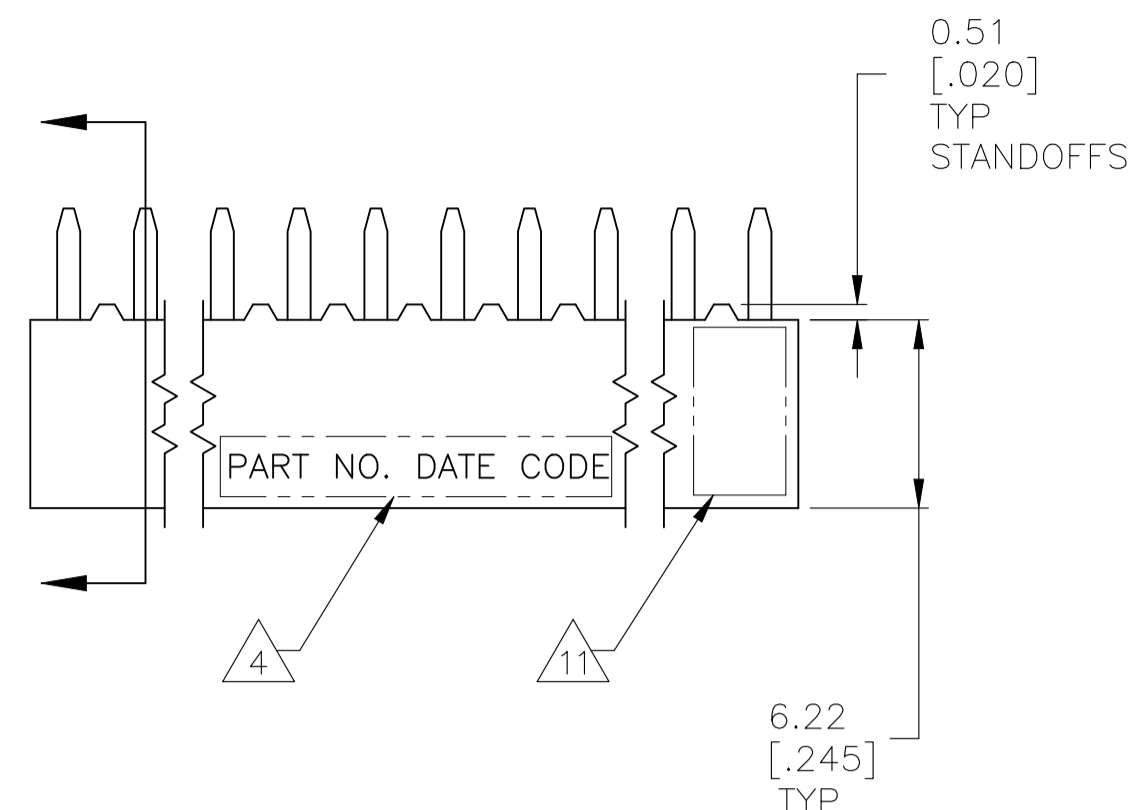


REVISIONS				
P	LTR	DESCRIPTION	DATE	APP'D
L		RESIN SUPPLIER CHANGE FOR THE HOUSING	02DEC2021	SCB KJK



RECOMMENDED PC BOARD HOLE PATTERN
PC BOARD THICKNESS 1.57[.062]

- 1 HOUSING: FLAME RETARDANT, GLASS FILLED, THERMOPLASTIC, COLOR: BLACK. CONTACT: PHOSPHOR BRONZE
- 2 CONTACT: 2.54-5.08μm[.000100-.000200] TIN-LEAD OVER 1.27μm[.000050] NICKEL.
- 3 THESE DIMENSIONS PERTAIN TO CAVITY CENTERLINES ONLY - NOT TO CONTACT LOCATIONS
- 4 MARK PART NUMBER AND DATE CODE IN APPROXIMATE LOCATION SHOWN, EITHER SIDE.
- 5 TOLERANCE IS NON-CUMULATIVE.
- 6 2 POSITION DATE CODE IS MARKED OPPOSITE SIDE OF TE LOGO.
- 7 POINT-OF-MEASUREMENT DIMENSION FOR PLATING THICKNESS (INSIDE CONTACT BEAM).
- 8 POINT-OF-CONTACT DIMENSION.
- 9 CONTACT: 3.81-7.62μm[.000150-.000300] TIN OVER 1.27μm[.000050] NICKEL.
- 10 ROHS 2002/95/EC COMPLIANT PART.
- 11 TE TRADEMARK AND CSA LOGO ARE MOLDED INTO HOUSING, THIS LOCATION.
- 12 NO PART NUMBER MARKING REQUIRED FOR THIS PART.

FINISH	B	A	NO OF POSN	PART NUMBER
OBSOLETE	2.54 [.100]	5.08 [.200]	4	9-147100-0
	-	2.54 [.100]	2	8-147100-9
	99.06 [3.900]	101.60 [4.000]	80	8-147100-8
	96.52 [3.800]	99.06 [3.900]	78	8-147100-7
	93.98 [3.700]	96.52 [3.800]	76	8-147100-6
	91.44 [3.600]	93.98 [3.700]	74	8-147100-5
	88.90 [3.500]	91.44 [3.600]	72	8-147100-4
	86.36 [3.400]	88.90 [3.500]	70	8-147100-3
	83.82 [3.300]	86.36 [3.400]	68	8-147100-2
	81.28 [3.200]	83.82 [3.300]	66	8-147100-1
	78.74 [3.100]	81.28 [3.200]	64	8-147100-0
	76.20 [3.000]	78.74 [3.100]	62	7-147100-9
73.66 [2.900]	76.20 [3.000]	60	7-147100-8	
71.12 [2.800]	73.66 [2.900]	58	7-147100-7	
68.58 [2.700]	71.12 [2.800]	56	7-147100-6	
66.04 [2.600]	68.58 [2.700]	54	7-147100-5	
63.50 [2.500]	66.04 [2.600]	52	7-147100-4	
60.96 [2.400]	63.50 [2.500]	50	7-147100-3	
58.42 [2.300]	60.96 [2.400]	48	7-147100-2	
55.88 [2.200]	58.42 [2.300]	46	7-147100-1	
53.34 [2.100]	55.88 [2.200]	44	7-147100-0	
50.80 [2.000]	53.34 [2.100]	42	6-147100-9	
48.26 [1.900]	50.80 [2.000]	40	6-147100-8	
45.72 [1.800]	48.26 [1.900]	38	6-147100-7	
43.18 [1.700]	45.72 [1.800]	36	6-147100-6	
40.64 [1.600]	43.18 [1.700]	34	6-147100-5	
38.10 [1.500]	40.64 [1.600]	32	6-147100-4	
35.56 [1.400]	38.10 [1.500]	30	6-147100-3	
33.02 [1.300]	35.56 [1.400]	28	6-147100-2	
30.48 [1.200]	33.02 [1.300]	26	6-147100-1	
27.94 [1.100]	30.48 [1.200]	24	6-147100-0	
25.40 [1.000]	27.94 [1.100]	22	5-147100-9	
22.86 [.900]	25.40 [1.000]	20	5-147100-8	
20.32 [.800]	22.86 [.900]	18	5-147100-7	
17.78 [.700]	20.32 [.800]	16	5-147100-6	
15.24 [.600]	17.78 [.700]	14	5-147100-5	
12.70 [.500]	15.24 [.600]	12	5-147100-4	
10.16 [.400]	12.70 [.500]	10	5-147100-3	
7.62 [.300]	10.16 [.400]	8	5-147100-2	
5.08 [.200]	7.62 [.300]	6	5-147100-1	

FINISH	B	A	NO OF POSN	PART NUMBER
OBSOLETE	43.18 [1.700]	45.72 [1.800]	36	4-147100-1
	2.54 [.100]	5.08 [.200]	4	4-147100-0
	-	2.54 [.100]	2	3-147100-9
	99.06 [3.900]	101.60 [4.000]	80	3-147100-8
	96.52 [3.800]	99.06 [3.900]	78	3-147100-7
	93.98 [3.700]	96.52 [3.800]	76	3-147100-6
	91.44 [3.600]	93.98 [3.700]	74	3-147100-5
	88.90 [3.500]	91.44 [3.600]	72	3-147100-4
	86.36 [3.400]	88.90 [3.500]	70	3-147100-3
	83.82 [3.300]	86.36 [3.400]	68	3-147100-2
	81.28 [3.200]	83.82 [3.300]	66	3-147100-1
	78.74 [3.100]	81.28 [3.200]	64	3-147100-0
76.20 [3.000]	78.74 [3.100]	62	2-147100-9	
73.66 [2.900]	76.20 [3.000]	60	2-147100-8	
71.12 [2.800]	73.66 [2.900]	58	2-147100-7	
68.58 [2.700]	71.12 [2.800]	56	2-147100-6	
66.04 [2.600]	68.58 [2.700]	54	2-147100-5	
63.50 [2.500]	66.04 [2.600]	52	2-147100-4	
60.96 [2.400]	63.50 [2.500]	50	2-147100-3	
58.42 [2.300]	60.96 [2.400]	48	2-147100-2	
55.88 [2.200]	58.42 [2.300]	46	2-147100-1	
53.34 [2.100]	55.88 [2.200]	44	2-147100-0	
50.80 [2.000]	53.34 [2.100]	42	1-147100-9	
48.26 [1.900]	50.80 [2.000]	40	1-147100-8	
45.72 [1.800]	48.26 [1.900]	38	1-147100-7	
43.18 [1.700]	45.72 [1.800]	36	1-147100-6	
40.64 [1.600]	43.18 [1.700]	34	1-147100-5	
38.10 [1.500]	40.64 [1.600]	32	1-147100-4	
35.56 [1.400]	38.10 [1.500]	30	1-147100-3	
33.02 [1.300]	35.56 [1.400]	28	1-147100-2	
30.48 [1.200]	33.02 [1.300]	26	1-147100-1	
27.94 [1.100]	30.48 [1.200]	24	1-147100-0	
25.40 [1.000]	27.94 [1.100]	22	1-147100-9	
22.86 [.900]	25.40 [1.000]	20	1-147100-8	
20.32 [.800]	22.86 [.900]	18	1-147100-7	
17.78 [.700]	20.32 [.800]	16	1-147100-6	
15.24 [.600]	17.78 [.700]	14	1-147100-5	
12.70 [.500]	15.24 [.600]	12	1-147100-4	
10.16 [.400]	12.70 [.500]	10	1-147100-3	
7.62 [.300]	10.16 [.400]	8	1-147100-2	
5.08 [.200]	7.62 [.300]	6	1-147100-1	

THIS DRAWING IS A CONTROLLED DOCUMENT.

DIN M. BINNER 06NOV2002
CHK J. JOLSON 06NOV02
APP'D J. JOLSON 06NOV02

TE Connectivity

AMP/ODU.REC ASSY, MOD IV
DBL ROW, DUAL ENTRY, .100X.100CL,
VERTICAL MOUNT

108-25022
114-25018

SIZE CAGE CODE DRAWING NO
A1 00779 147100

RESTRICTED TO

CUSTOMER DRAWING SCALE 4:1 SHEET 1 of 1 REV L