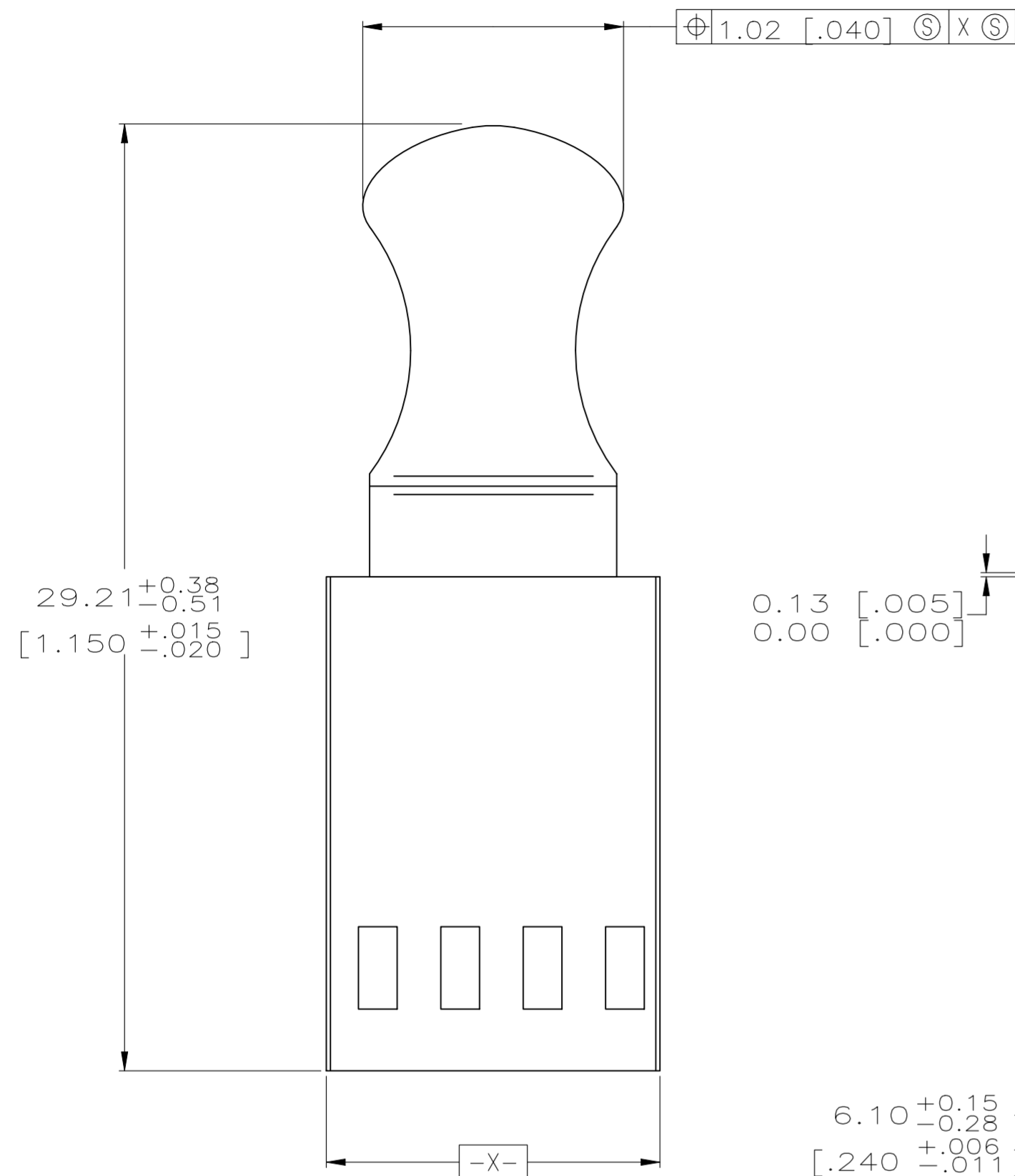
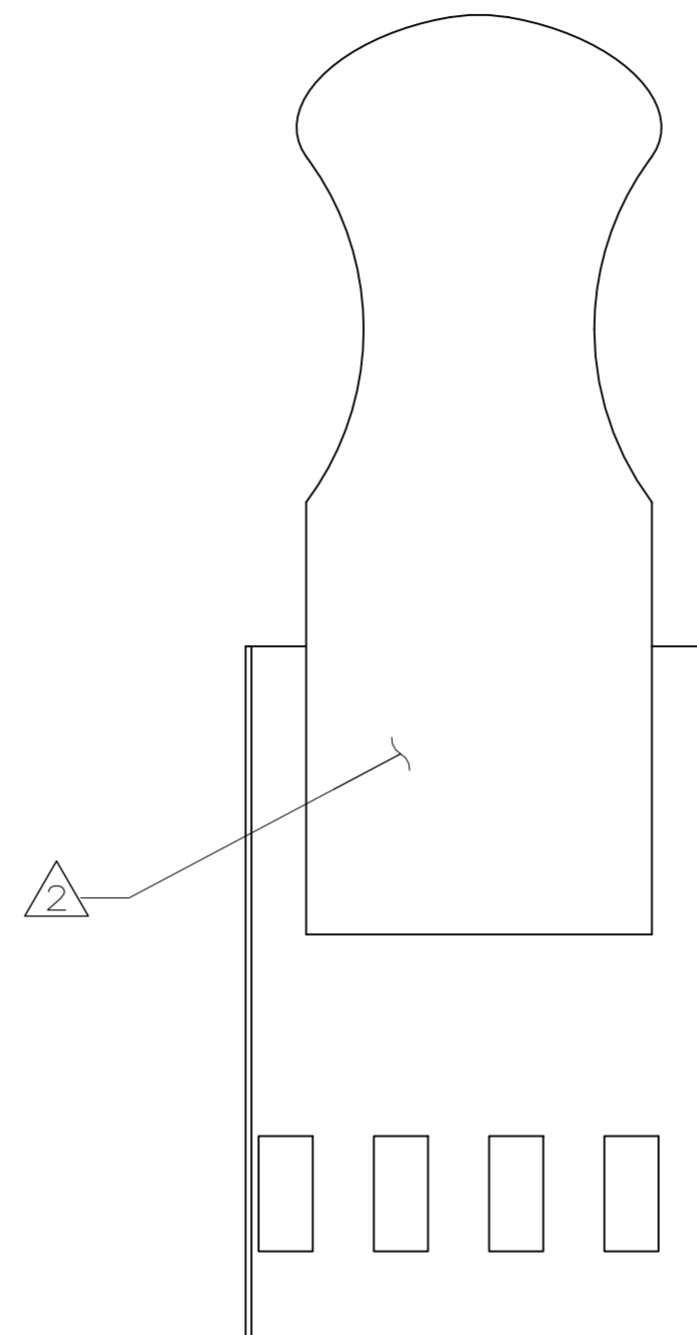


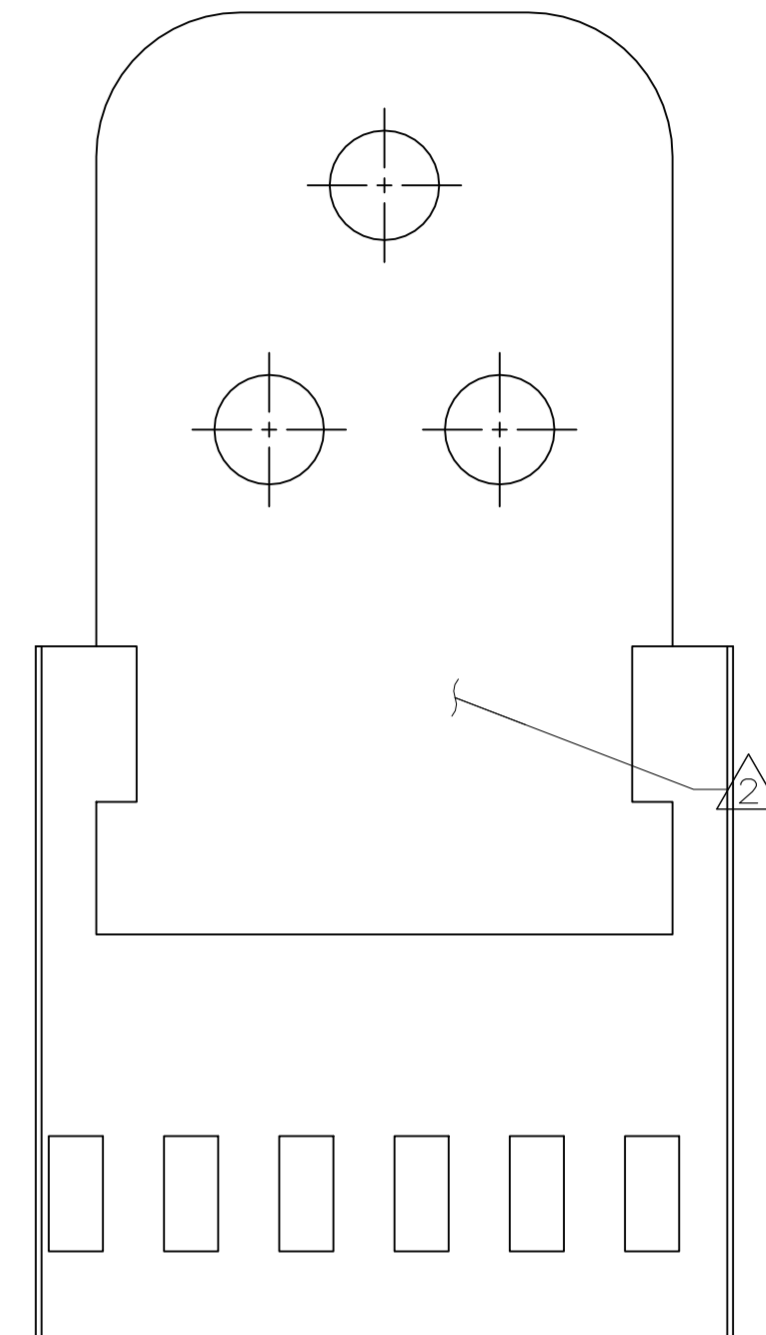
REVISIONS					
P	LTR	DESCRIPTION	DATE	DWN	APVD
B1		REVISED PER ECN-24-276265	01AUG2024	RK	MF



147087-2 (PICTURED)



147087-3 (PICTURED)



147087-3 (PICTURED)

- THE STRAIN RELIEF IS ULTRASONICALLY BONDED TO THE HOUSING
- MARK ASSEMBLY, THIS SIDE, WITH AMP PART NUMBER.
- HSG & STRN RLF - FLAME RETARDANT THERMOPLASTIC, COLOR-BLACK.

	12	147087-3
OBSOLETE	8	147087-2
OBSOLETE	6	147087-1
	NO OF POSN	ASSEMBLY PART NUMBER

THIS DRAWING IS A CONTROLLED DOCUMENT.		DWN B. HAYMAKER 26AUG98	<b>STE</b> TE Connectivity	
DIMENSIONS: mm [INCHES]		CHK M. CHIANG 26AUG98		
TOLERANCES UNLESS OTHERWISE SPECIFIED:		APVD M. CHIANG 26AUG98	NAME HOUSING & STRAIN RELIEF ASSY, MOD IV, DOUBLE ROW, .100X.100	
0 PLC ± -		PRODUCT SPEC	DRAWING NO A2 00779 C=147087	
1 PLC ± -		APPLICATION SPEC	RESTRICTED TO	
2 PLC ± -			SCALE 6:1 SHEET 1 of 1 REV B1	
3 PLC ± 0.13[.005]				
4 PLC ± -				
ANGLES ± -				
MATERIAL		WEIGHT		
FINISH				
CUSTOMER DRAWING				