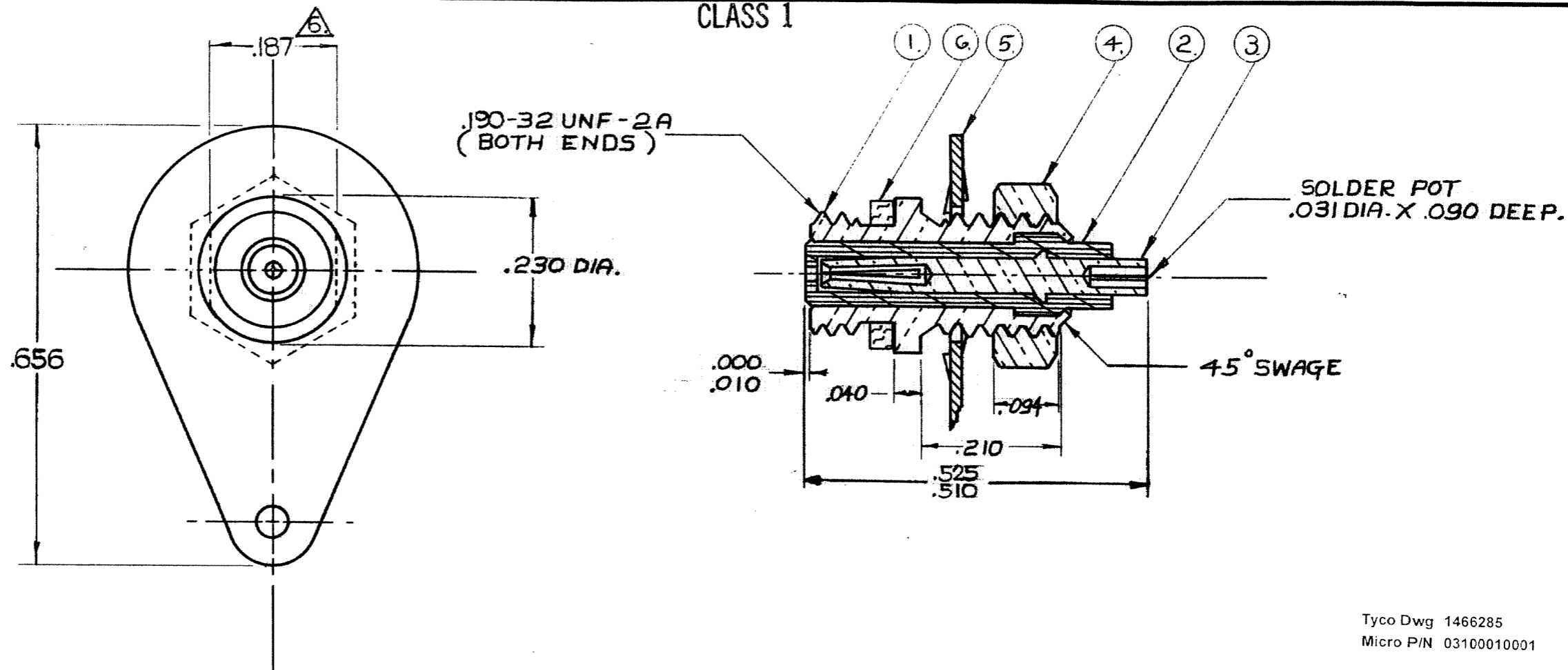


CLASS 1



Tyco Dwg 1466285  
Micro P/N 03100010001

QTY.	PART NO.	NOMENCLATURE	MAT. & SPEC.	FINISH	ITEM
1	003-0268-0000	GASKET	SILICONE RUBBER		⑥
1	003-0306-0001	SHAKPROOF LUG	#425 BRONZE ALLOY	④	⑤
1	003-0009-0001	HEX NUT	BRASS, QQ-B-626	④	④
1	003-1378-0002	SOCKET CONTACT	COPPER ALLOY	⑤	③
1	003-1379-0001	INSULATOR	TEFLON, L-P-403		②
1	003-1390-0001	HOUSING	BRASS, QQ-B-626	④	①

- ⑥ WRENCH FLAT .
- ⑤ GOLD PLATE PER MIL-G-45204, TYPE II, CLASS I .
- ④ SILVER PLATE .0002-.0004 PER QQ-S-365, TYPE II, GRADE A .
- 3. INSULATION RESISTANCE  $5.0 \times 10^3$  MEGOHMS MIN.
- 2. WORKING VOLTAGE - 750 VOLTS RMS .
- 1. THIS RECEPTACLE MATES WITH ALL PLUGS IN SERIES S-50 AS LISTED IN MALCO CATALOG .

NOTES: UNLESS OTHERWISE SPECIFIED

STANDARD TOLERANCES UNLESS OTHERWISE SPECIFIED DEC. $\pm$ .010 FRAC. $\pm$ _____ ANGLES $\pm$ _____ ECCENTRICITY _____ MAX. T.I.R. _____ HOLE DIA. $\pm$ _____ SURFACE ROUGHNESS _____ MICRO INCHES _____ THREADS TO MIL-S-7742 COMMERCIAL TOLERANCES APPLY TO STOCK DIMENSIONS		<b>MALCO</b> A MICRODOT COMPANY, INC. 220 PASADENA AVE., SO. PASADENA, CAL	
SURFACE TREATMENT NOTED		MATERIAL NOTED	
APP <i>[Signature]</i> APP G.P.F. CHECKED BY _____ DRAWN BY E.S.(J.N.) SCALE 5X DATE 12/4/53		PROD CODE 931 CODE C.D.M. 031-0001-0001 U	
BULKHEAD RECEPTACLE 50-2		DRAWING NUMBER 031-0001-0001 U	