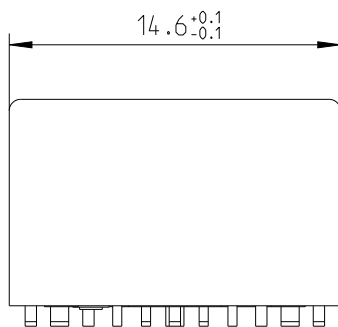
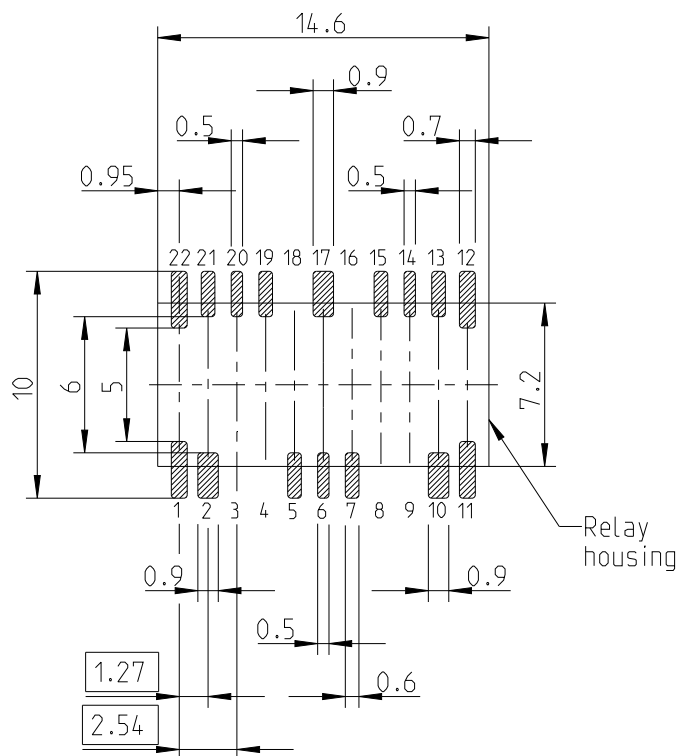
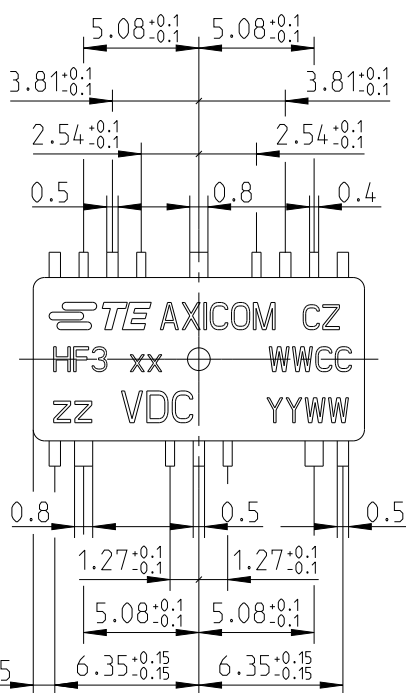
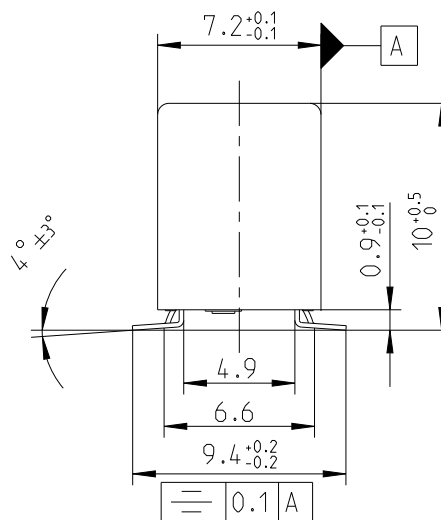


LOC	DIST	REVISIONS					
TU	-	P	LTR	DESCRIPTION	DATE	DWN	APVD
		D		Printing	09/07/2010	UKo	HD
		D1		REVISED PER ECO-11-005150	25/03/2011	UKo	HMR
		D2		REVISED PER ECO-11-017072 (ECR-13-009645)	14/06/2013	UKo	AK
		E		ECR-24-214819 (Update of customer drawings)	15/07/2024	LC	PH



Coplanarity ≤ 0.10mm



Relay housing

xx = Relay type  
 zz = Nominal voltage  
 YYWW = Date code  
 WWCC = Lot number

2005

RELEASED FOR PUBLICATION

ALL RIGHTS RESERVED.

THIS DRAWING IS UNPUBLISHED.

© COPYRIGHT 2005 BY TE Connectivity

DIMENSIONS: mm	DWN UKo 9193	16AUG2002	MATERIAL	-	FINISH	-
	CHK HD 9121	16AUG2002				
TOLERANCES UNLESS OTHERWISE SPECIFIED: DIN 7168-m	APVD HD 9121	16AUG2002				
0 PLC ±-	PRODUCT SPEC	-	NAME HF3-Relay 75Ω Dimensions			
1 PLC ±-	-	-				
2 PLC ±-	APPLICATION SPEC	-	SIZE	CAGE CODE	DRAWING NO	RESTRICTED TO
3 PLC ±-	-	-	A 4	00779	©-1462050-2	-
4 PLC ±-	WEIGHT	-	SCALE 3:1 SHEET 1 OF 1 REV E			
ANGLES ±-	-	-				
CUSTOMER DRAWING						

