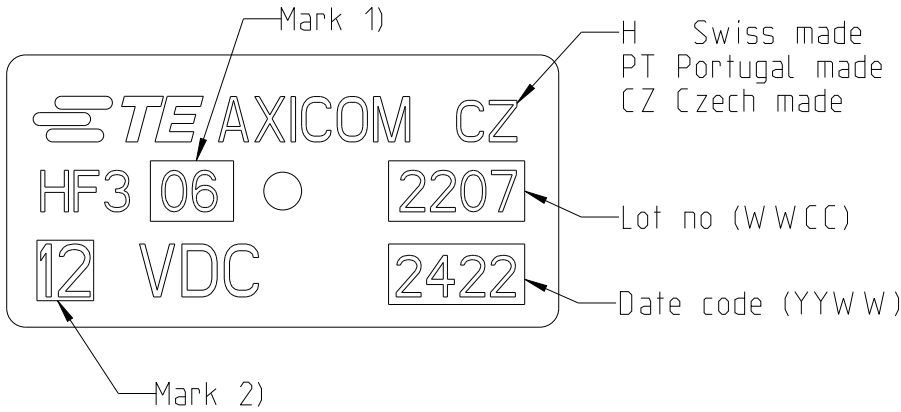


LOC	DIST	REVISIONS					
TU	-	P	LTR	DESCRIPTION	DATE	DWN	APVD
			C	REVISED PER ECO-13-009645	18/06/2013	UKo	AK
			C 1	ECR-14-007162 (Packaging information)	13/10/2015	AP	AK
			D	ECR-24-214819 (Update of customer drawings)	15/07/2024	LC	PH
			D1	ECR-24-214860 (Mistakes fix)	15/07/2024	LC	PH



Packaging data code (Box, bag, reels):  
P(YW WDSL)000  
Shipping data code:  
YYWDD

P - Product code (9 to HF relay)  
Y(Y) - Year (last digit for packaging)  
WW - calendar week (from date code)  
D - Day of the week (1=Sat....and 7=Fri)  
S - Shift (1=day shift, 2=night shift)  
L - Production Line  
C - Weekly sequential number  
000 - For internal use

Pos.	Relay-Type	Mark 1)	Mark 2)	PN
1	HF3 01	01	3	1462050-1
2	HF3 02	02	4.5	1-1462050-6
3	HF3 03	03	5	1462050-2
4	HF3 03S	03S	5	2-1462050-2
5	HF3 03SR	03SR	5	2-1462050-5
6	HF3 05S	05S	9	2-1462050-3
7	HF3 06	06	12	1462050-4
8	HF3 06S	06S	12	2-1462050-7
9	HF3 07	07	24	1462050-5
10	HF3 21	21	3	1462050-6
11	HF3 23	23	5	1462050-7
12	HF3 26	26	12	1462050-9
13	HF3 41	41	3	1-1462050-1
14	HF3 41R	41R	3	3-1462050-8
15	HF3 43	43	5	1-1462050-2
16	HF3 43	43	5	4-1462050-3
17	HF3 43I	43I	5	3-1462050-7
18	HF3 43IIS	43IIS	5	4-1462050-0
19	HF3 43IIS	43IIS	5	4-1462050-4


2007

RELEASED FOR PUBLICATION

ALL RIGHTS RESERVED.

© COPYRIGHT 2007

THIS DRAWING IS UNPUBLISHED.

DIMENSIONS: mm	DWN UKo 9193	04 APR 2007	MATERIAL	-	FINISH	-
	CHK HD 9121	04 APR 2007	 TE Connectivity			
TOLERANCES UNLESS OTHERWISE SPECIFIED: DIN 7168-m	APVD HD 9121	04 APR 2007				
0 PLC ±-	PRODUCT SPEC	-	HF3-Relay 75Ω			
1 PLC ±-	APPLICATION SPEC	-	Marking			
2 PLC ±-	WEIGHT	-	SIZE	CAGE CODE	DRAWING NO	RESTRICTED TO
3 PLC ±-			A 4	00779	©=1462050-1	-
4 PLC ±-			CUSTOMER DRAWING			
ANGLES ±-			SCALE	SHEET	OF	REV
			5:1	1	2	D1

LOC TU	DIST -	REVISIONS					
		P	LTR	DESCRIPTION	DATE	DWN	APVD
				see sheet 1			

2007


RELEASED FOR PUBLICATION

ALL RIGHTS RESERVED.

THIS DRAWING IS UNPUBLISHED.

© COPYRIGHT 2007

Pos.	Relay-Type	Mark 1)	Mark 2)	PN
20	HF3 43IS	43IS	5	3-1462050-9
21	HF3 46	46	12	1-1462050-4
22	HF3 46E	46E	12	3-1462050-6
23	HF3 46L	46L	12	2-1462050-9
24	HF3 47	47	24	1-1462050-5

DIMENSIONS: mm		DWN UKo 9193 04APR2007	MATERIAL -	FINISH -		
TOLERANCES UNLESS OTHERWISE SPECIFIED: DIN 7168-m		CHK HD 9121 04APR2007	 TE Connectivity			
		APVD HD 9121 04APR2007				
0 PLC ±-		PRODUCT SPEC -	NAME HF3-Relay 75Ω Marking			
1 PLC ±-		APPLICATION SPEC -				
2 PLC ±-		WEIGHT -	SIZE A 4	CAGE CODE 00779	DRAWING NO C-1462050-1	RESTRICTED TO -
3 PLC ±-		CUSTOMER DRAWING		SCALE 5:1	SHEET 2 OF 2	REV D1
4 PLC ±-						
ANGLES ±-						

