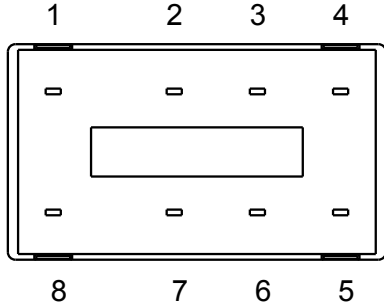
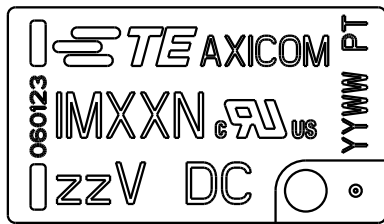
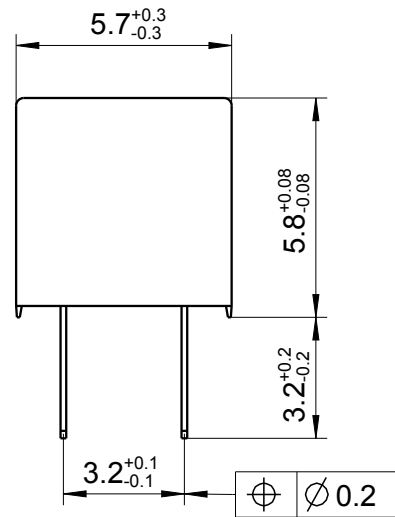
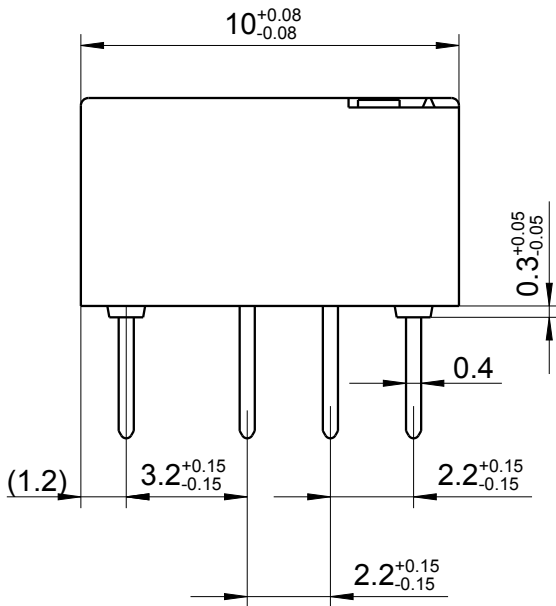


LOC	DIST	REVISIONS					
		P	LTR	DESCRIPTION	DATE	DWN	APVD
HJ	-		A4	additional marking	10OCT2008	UKo	HD
			A5	REVISED PER ECO-11-005150	25MAR2011	RK	HMR
			A6	REVISED PER ECR-11-015637	10JUN2013	UKo	AK
			A7	REVISED PER ECR-13-014508 (TE-Logo)	16SEP2013	UKo	AK



Relay - bottom view



XX = Relay type
 zz = nominal voltage
 YYWW = Date code

2000

RELEASED FOR PUBLICATION

THIS DRAWING IS UNPUBLISHED.

ALL RIGHTS RESERVED.

© COPYRIGHT 2000

DRAWING ALIAS: E2009-DOK02

DIMENSIONS: mm	DWN UKo 9193	08APR2002	MATERIAL	-	FINISH	-
	CHK HD 9121	08APR2002	TE Connectivity			
TOLERANCES UNLESS OTHERWISE SPECIFIED: DIN 7168-m	APVD HD 9121	08APR2002				
0 PLC ±	PRODUCT SPEC	-	NAME IM-Relay THT (Narrow) Dimensions			
1 PLC ±	-	-				
2 PLC ±	APPLICATION SPEC	-	SIZE	CAGE CODE	DRAWING NO	RESTRICTED TO
3 PLC ±	-	-	A4	00779	C-1462037-5	-
4 PLC ±	WEIGHT	-	SCALE 5:1 SHEET 1 OF 1 REV A7			
ANGLES ±	-	-				
CUSTOMER DRAWING						