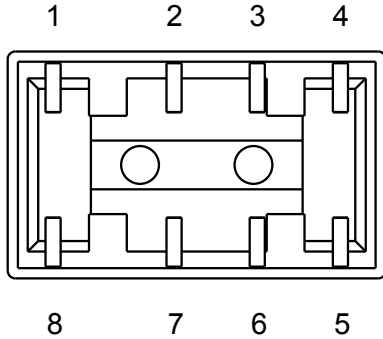
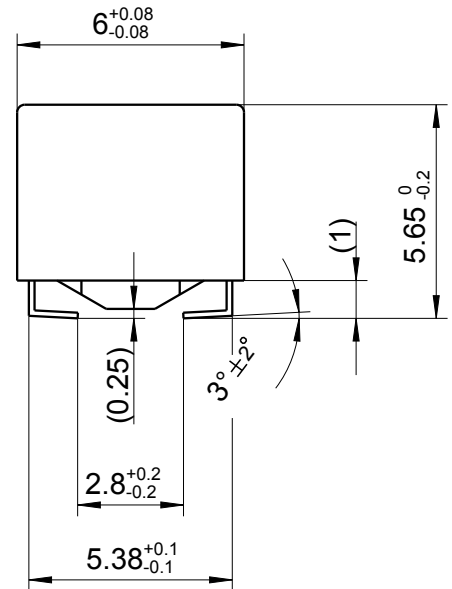
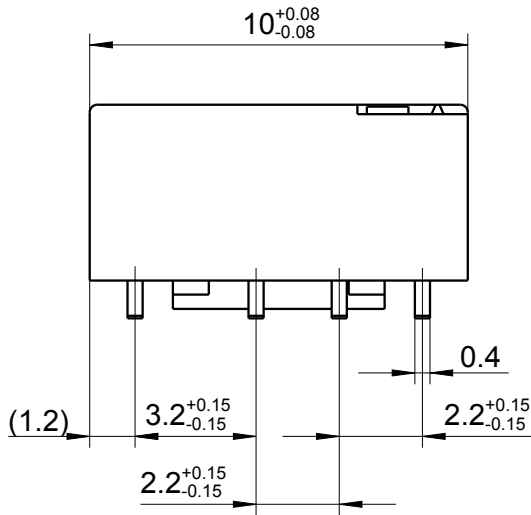


LOC	DIST	REVISIONS					
		P	LTR	DESCRIPTION	DATE	DWN	APVD
HJ	-		A7	additional marking	10OCT2008	UKo	HD
			A8	REVISED PER ECO-11-005150	25MAR2011	UKo	HMR
			A9	REVISED PER ECR-11-015637	10JUN2013	UKo	AK
			A10	REVISED PER ECR-13-014508 (TE-Logo)	16SEP2013	UKo	AK



Relay - bottom view



Coplanarity <0.10mm



XX = Relay type
 zz = nominal voltage
 YYWW = Date code

2000

RELEASED FOR PUBLICATION

ALL RIGHTS RESERVED.

THIS DRAWING IS UNPUBLISHED.

© COPYRIGHT 2000

DRAWING ALIAS: E2001-DOK02

DIMENSIONS: mm	DWN UKo 9193	08AUG1998	MATERIAL	-	FINISH	-
	CHK HD 9121	08AUG1998	TE Connectivity			
TOLERANCES UNLESS OTHERWISE SPECIFIED: DIN 7168-m	APVD HD 9121	08AUG1998				
0 PLC ±	PRODUCT SPEC	-	NAME			IM-Relay SMT J-Legs Dimensions
1 PLC ±	APPLICATION SPEC	-	SIZE	CAGE CODE	DRAWING NO	RESTRICTED TO
2 PLC ±			A4	00779	C-1462037-3	-
3 PLC ±	WEIGHT	-	CUSTOMER DRAWING			SCALE
4 PLC ±						5:1
ANGLES ±						SHEET
						1 OF 1
						REV
						A10