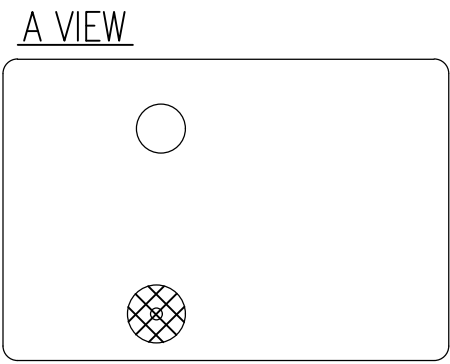
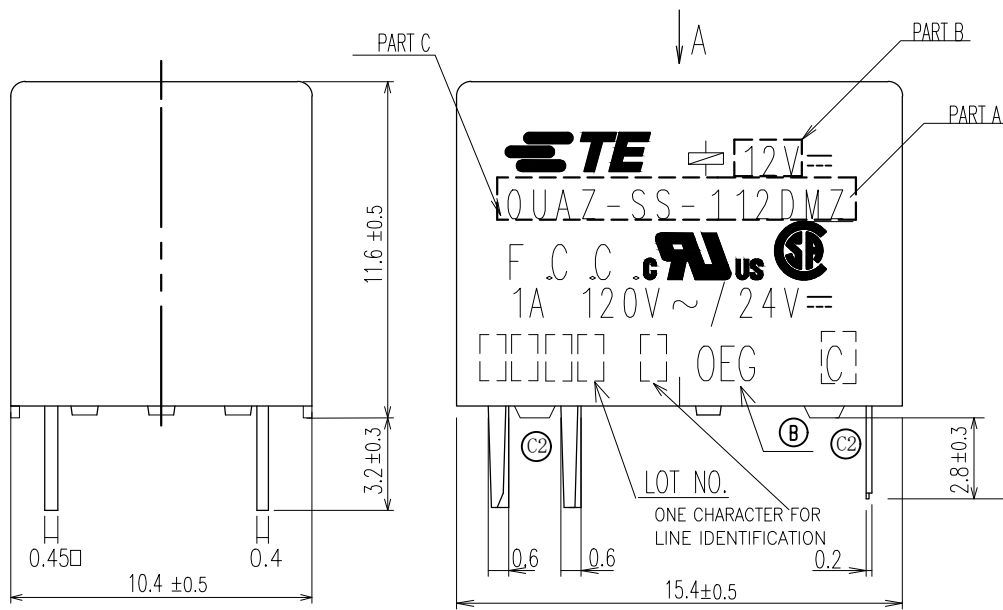
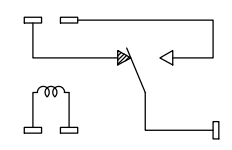


P	LTR	DESCRIPTION	DATE	DWN	APVD
	C2	Add convex hulls-ECO-20-016569	04-NOV-20	T,Z	XNZ

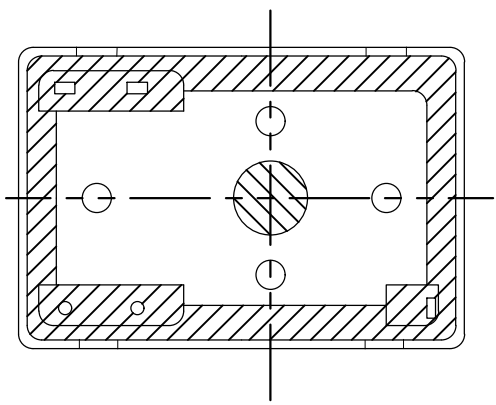
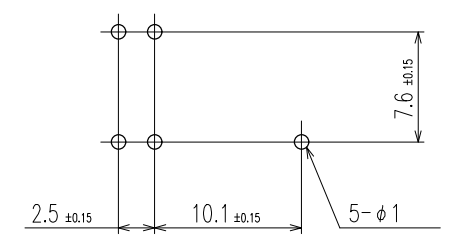


- ⓑ NOTES:
- LOT NO. SYSTEM AS FOLLOWING:
  - TERMINAL DIMENSIONS BEFORE SOLDER DIP
  - FOR THE TIN-PLATING OF THE PINS:  
 +0.1mm FOR WIDTH, THICKNESS AND DIAMETER  
 +0.5mm FOR LENGTH

WIRING DIAGRAM



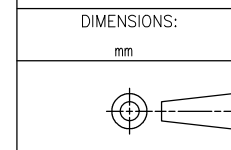
PCB LAYOUT (GENERAL TOLERANCE ± 0.15)



GENERAL TOLERANCE:

Diagram Dimension	Tolerance
0.99mm,max	±0.1mm
1-2.99mm	±0.2mm
3mm min	±0.3mm

DWN Steven.Zhou		TE Connectivity			
CHK Banghua,Yu					
APVD Sunny,Zhang		NAME			
PRODUCT SPEC SEE RELAY TYPE		QUAZ D/L STANDARD CUSTOMER DRAWING			
APPLICATION SPEC		SIZE	CAGE CODE	DRAWING NO	RESTRICTED TO
MATERIAL		A3	00779	C= 1461015	-
FINISH		WEIGHT		SCALE	SHEET
-		CUSTOMER DRAWING		5:1	1 OF 2
				REV	C2



DIMENSIONS:	TOLERANCES UNLESS OTHERWISE SPECIFIED:
mm	
0 PLC	±
1 PLC	±
2 PLC	±
3 PLC	±
4 PLC	±
ANGLES	±

LOC	DIST	REVISIONS						
		P	LTR	DESCRIPTION	ECN	DATE	DWN	APVD
HB								

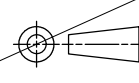

A3

STATUS	MARKING	PART NO	DESCRIPTION	PART B	PART A	TYPE
ACTIVE	NONE	1461015-6	OUAZ-SH-118L 900	18V	OUAZ-SH-118L	x
ACTIVE	MARKING	4-1419145-8	OUAZ-SH-124L 900	24V	OUAZ-SH-124L	w
ACTIVE	MARKING	6-1419130-5	OUAZ-SH-112L 900	12V	OUAZ-SH-112L	v
OBSOLETE	MARKING	4-1419145-6	OUAZ-SH-109L 900	9V	OUAZ-SH-109L	u
ACTIVE	MARKING	4-1419145-3	OUAZ-SH-106L 900	6V	OUAZ-SH-106L	t
ACTIVE	MARKING	4-1419145-0	OUAZ-SH-105L 900	5V	OUAZ-SH-105L	s
ACTIVE	MARKING	4-1419130-0	OUAZ-SH-103L 900	3V	OUAZ-SH-103L	r
ACTIVE	MARKING	1461015-4	OUAZ-SH-124D 900	24V	OUAZ-SH-124D	q
ACTIVE	MARKING	5-1419130-6	OUAZ-SH-112D 900	12V	OUAZ-SH-112D	p
OBSOLETE	MARKING	1461015-3	OUAZ-SH-109D 900	9V	OUAZ-SH-109D	o
OBSOLETE	MARKING	1461015-2	OUAZ-SH-106D 900	6V	OUAZ-SH-106D	n
ACTIVE	MARKING	3-1419145-9	OUAZ-SH-105D 900	5V	OUAZ-SH-105D	m
OBSOLETE	MARKING	1461015-5	OUAZ-SH-103D 900	3V	OUAZ-SH-103D	l
ACTIVE	MARKING	1-1419131-1	OUAZ-SS-124L 900	24V	OUAZ-SS-124L	k
ACTIVE	MARKING	1419131-5	OUAZ-SS-112L 900	12V	OUAZ-SS-112L	j
ACTIVE	MARKING	9-1419130-8	OUAZ-SS-109L 900	9V	OUAZ-SS-109L	i
ACTIVE	MARKING	5-1419145-4	OUAZ-SS-106L 900	6V	OUAZ-SS-106L	h
ACTIVE	MARKING	8-1419130-6	OUAZ-SS-105L 900	5V	OUAZ-SS-105L	g
OBSOLETE	MARKING	1461015-1	OUAZ-SS-124D 900	24V	OUAZ-SS-124D	f
ACTIVE	MARKING	5-1419145-7	OUAZ-SS-112D 900	12V	OUAZ-SS-112D	e
ACTIVE	MARKING	9-1419130-3	OUAZ-SS-109D 900	9V	OUAZ-SS-109D	d
ACTIVE	MARKING	5-1419145-2	OUAZ-SS-106D 900	6V	OUAZ-SS-106D	c
ACTIVE	MARKING	8-1419130-3	OUAZ-SS-105D 900	5V	OUAZ-SS-105D	b
OBSOLETE	MARKING	5-1419145-0	OUAZ-SS-103D 900	3V	OUAZ-SS-103D	a

C1

RELAY TYPE

UV RESIN	UV SEAL:3056C(VENT HOLE)	12
EPOXY RESIN	SEAL:2212E	11
POLYURETHANE COPPER WIRE	MAGNETIC WIRE	10
PBT	CASE	9
Cu ALLOY	MOVABLE SPRING	8
Cu ALLOY	B TERMINAL	7
Cu ALLOY	M TERMINAL	6
STEEL	ARMATURE	5
STEEL	CORE	4
STEEL	YOKE	3
C.P WIRE	COIL TERMINAL	2
PBT	BOBBIN	1
MATERIAL	DESCRIPTION	ITEM

DIMENSIONS: mm 	TOLERANCES UNLESS OTHERWISE SPECIFIED: 0 PLC ± 1 PLC ± 2 PLC ± 3 PLC ± 4 PLC ± ANGLES ±	DWN	 TE Connectivity			
		CHK				
MATERIAL	FINISH	APVD	NAME			
		PRODUCT SPEC	OUAZ D/L STANDARD CUSTOMER DRAWING			
		APPLICATION SPEC	SIZE	CAGE CODE	DRAWING NO	RESTRICTED TO
		WEIGHT	A3	00779	C= 1461015	-
		CUSTOMER DRAWING	SCALE	SHEET	2 OF 2	REV C2