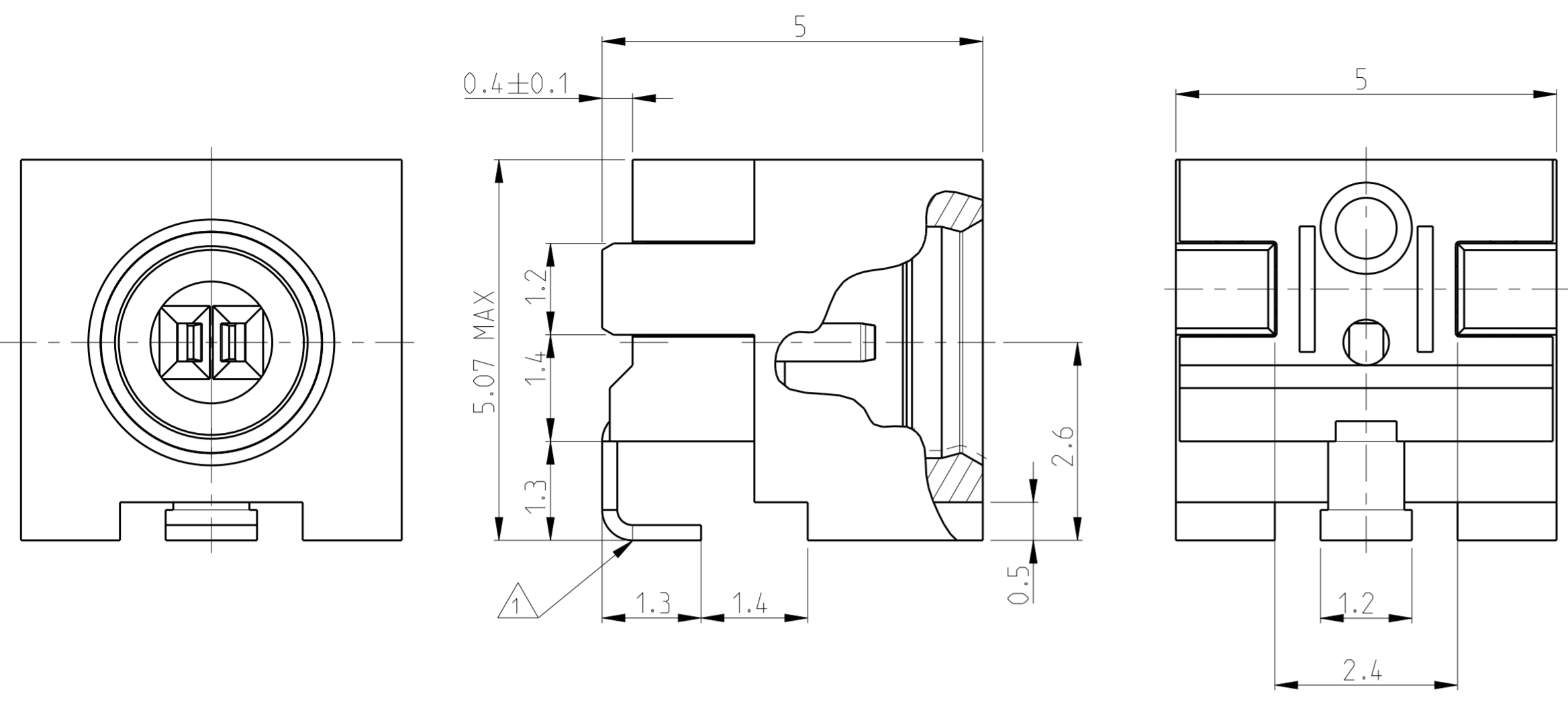


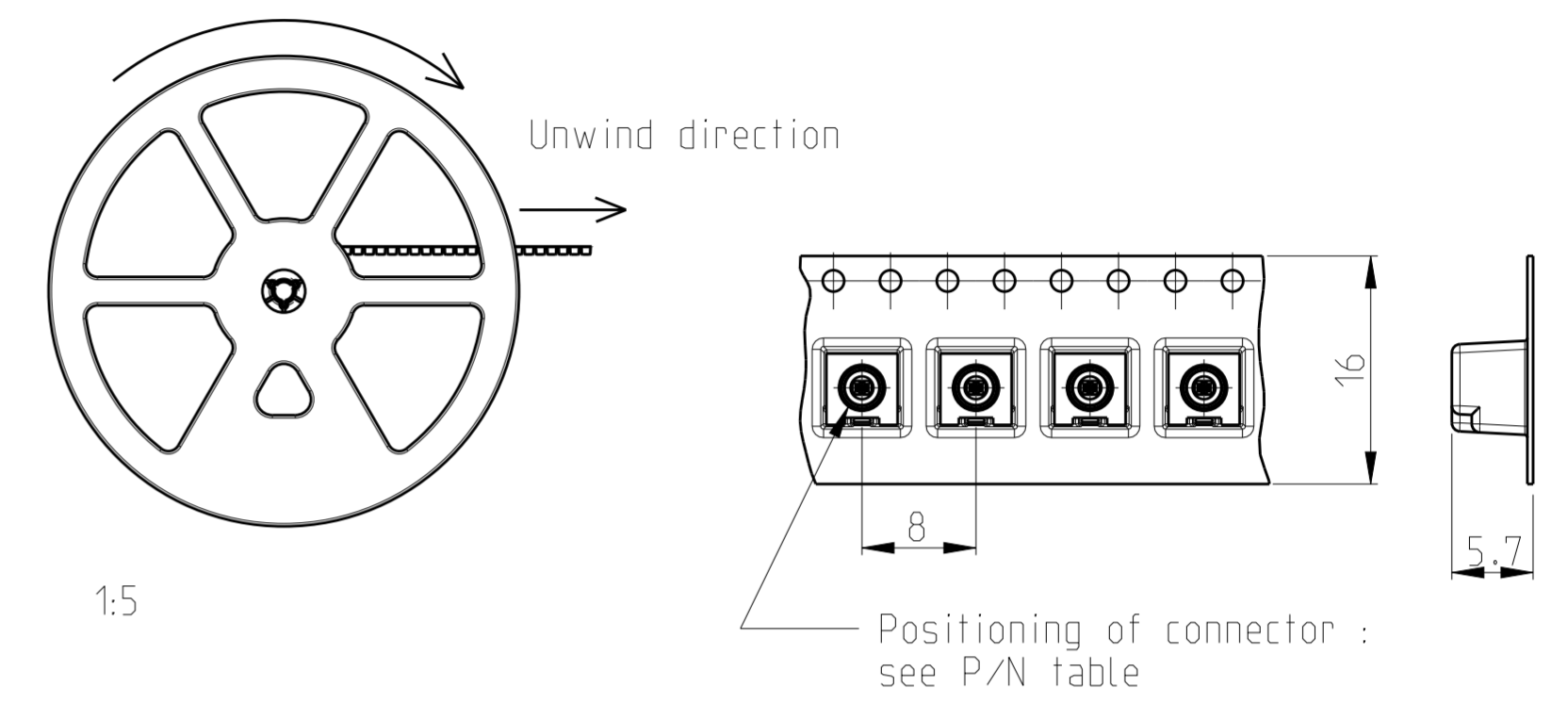
© 2019 TE Connectivity. All Rights Reserved.

REVISIONS					
P	LTR	DESCRIPTION	DATE	DWN	APVD
A2		ECR-19-006203	23APR2019	RZ	RS



Packaging : Tape on reel

Reel width : 22.4 mm  
Reel diameter : 330 mm  
Quantity per reel : 1500



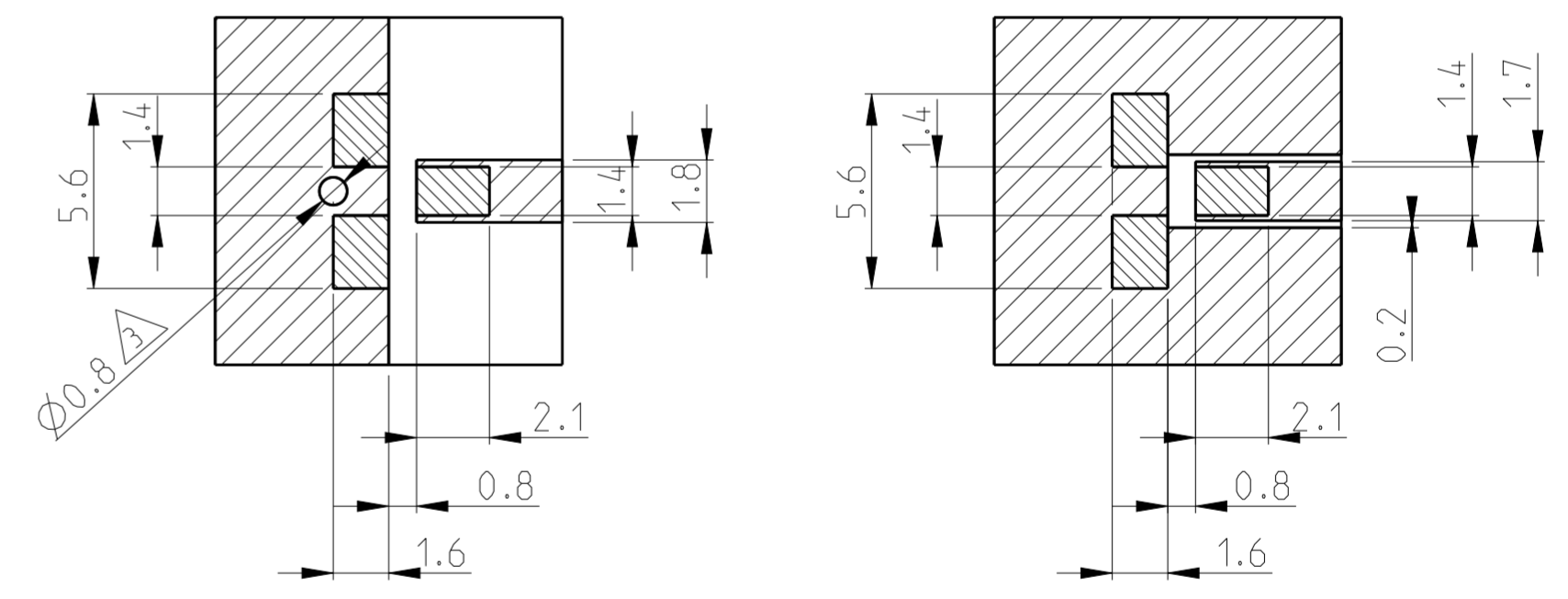
- ① Signal contact solder lead
- ② Partial Sn plating on ①
- 3) Interface dimensions in accordance with CECC22340
- 4) Comply with IEC 60286-3 and EIA-481
- ⑤ DIN ISO 8015; DIN ISO 2768-m-H

Solderpad layout

Micro strip

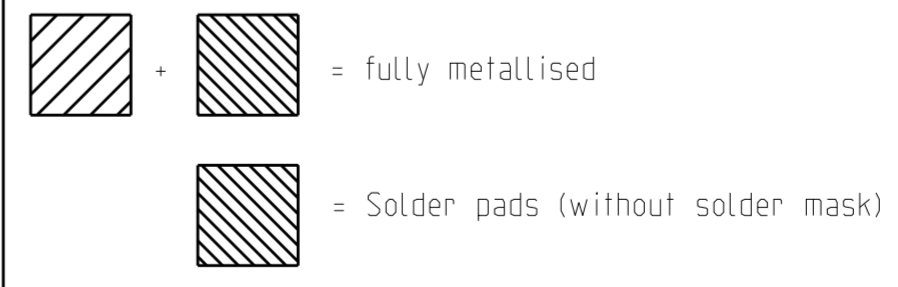
Soldering side

Coplanar



Bottom side : fully metallised

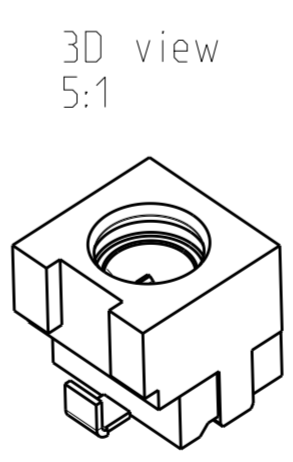
Bottom side : no requirements



Applicable for PCB :  
1 mm thickness and FR4 material  
All tolerances of solder pad layout : ±0.05

③ Plated through hole

Tyco part number	Style	Positioning in tape
6-1460820-1 (ROHS Compliant) ②	Straight 	Straight 
6-1460820-2 (ROHS Compliant) ②	Right angled 	Right angled 



1:1

Active part numbers : contact TE CONNECTIVITY for other configuration availability

THIS DRAWING IS A CONTROLLED DOCUMENT.		DWN AH 07OCT2005	TE Connectivity	
		CHK RL 12OCT2005		
DIMENSIONS: mm		APVD -	NAME SMD Jack, series MMCX	
TOLERANCES UNLESS OTHERWISE SPECIFIED: ⑤		PRODUCT SPEC -	-	
0 PLC ±		APPLICATION SPEC -	-	
1 PLC ±		WEIGHT -	-	
2 PLC ±		CUSTOMER DRAWING	SIZE A2	CAGE CODE 00779
3 PLC ±		SCALE 15:1	DRAWING NO C-1460820	RESTRICTED TO -
4 PLC ±		SHEET 1 OF 1	REV A2	
ANGLES ±				
FINISH -				