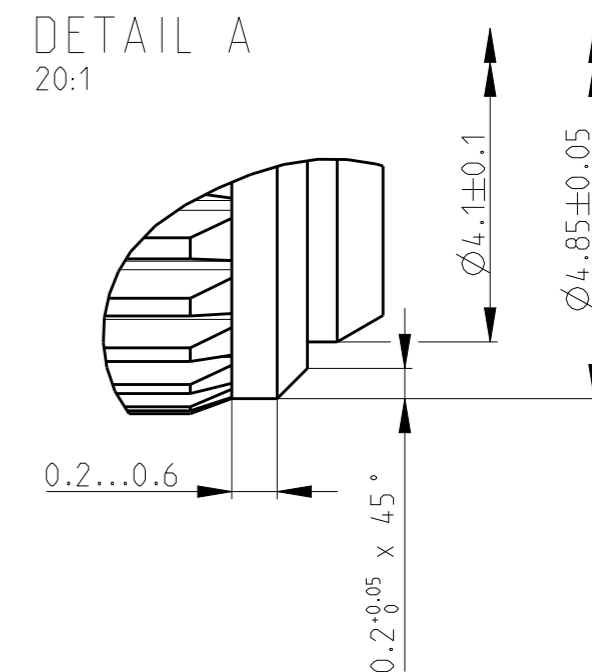
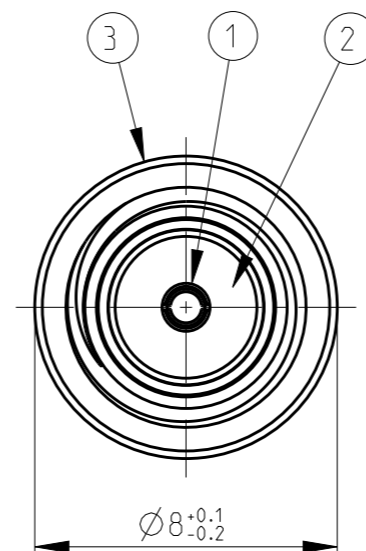
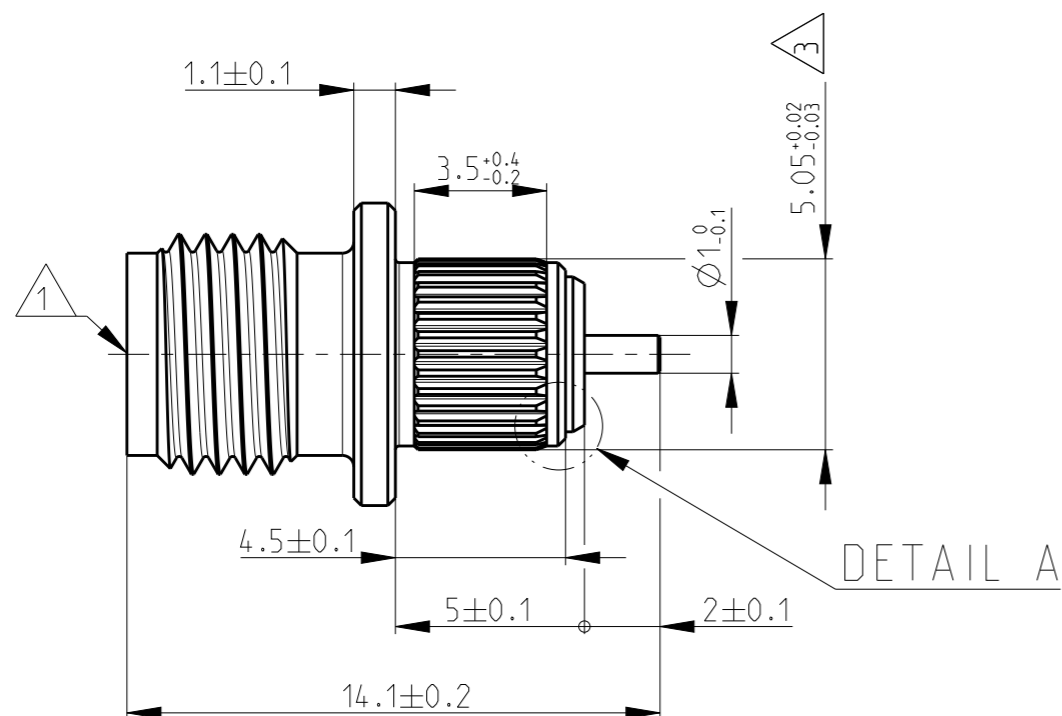


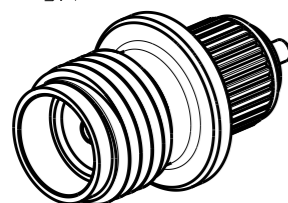
THIS DRAWING IS UNPUBLISHED. RELEASED FOR PUBLICATION
 © COPYRIGHT - BY - ALL RIGHTS RESERVED.

LOC	DIST	REVISIONS					
		P	LTR	DESCRIPTION	DATE	DWN	APVD
IS	-		C	REVISED PER ECO-12-016197	17SEP2012	KH	FB
			D	REVISED PER ECO-13-002936	21AUG2013	RZ	MY
			D1	REVISED PER ECO-17-005112	11APR2017	AS	RS

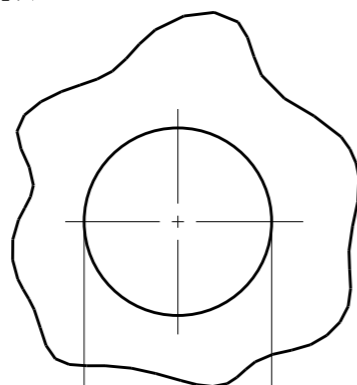


- 1) Interface according to IEC 169-15
- 2) Center conductor not captivated against rotation
- 3) Knurl according to DIN 82 RAA 0.5
- 4) Suitable for coupling torque up to 0.8Nm.

3D VIEW
3:1



Applicable hole layout
5:1



Ø4.96±0.03

OBSOLETE

X	1460469-3	3	1	BODY	BRASS	min. 2µm NiP
		2	1	DIELECTRIC	PTFE	NONE
		1	1	CENTER CONDUCTOR	PHOS BRONZE	Min. 0.1µm Au over min. 2µm NiP
X	1460469-1	3	1	BODY	BRASS	Min. 0.1µm Au over min. 2µm NiP
		2	1	DIELECTRIC	PTFE	NONE
		1	1	CENTER CONDUCTOR	BERYLLIUM COPPER	Min. 0.1µm Au over min. 2µm NiP
PART NR	ITEM NR	PIECES	DESCRIPTION	MATERIAL	PLATING	

OBSOLETE

THIS DRAWING IS A CONTROLLED DOCUMENT.		DWN F. Hellin	29OCT2004	 TE Connectivity			
DIMENSIONS: mm		CHK F. Hellin	29OCT2004				
TOLERANCES UNLESS OTHERWISE SPECIFIED:		APVD R. Leeman	29OCT2004				
0 PLC ± 1 PLC ±0.0 2 PLC ±0.00 3 PLC ±0.000 4 PLC ±0.0000 ANGLES ±		NAME SMA press in jack					
MATERIAL see table		FINISH see table		SIZE A3	CAGE CODE 00779	DRAWING NO C=1460469	RESTRICTED TO -
		WEIGHT ±1.4g		SCALE 5:1		SHEET 1 OF 1	
						REV D1	