

THIS DRAWING IS UNPUBLISHED.

RELEASED FOR PUBLICATION

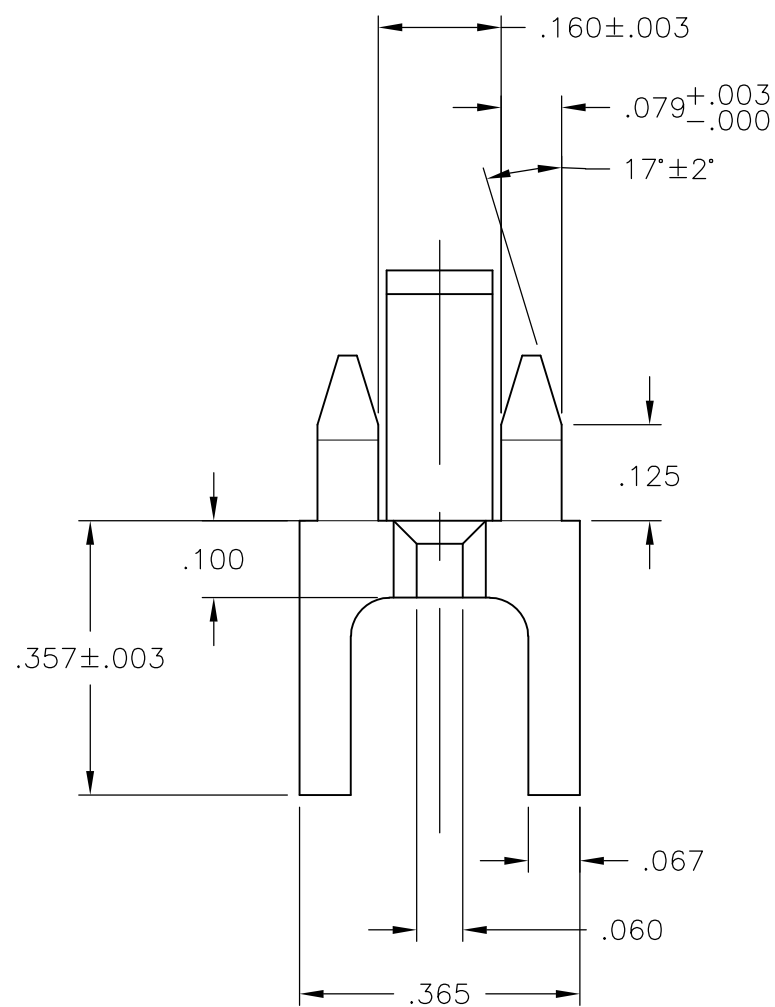
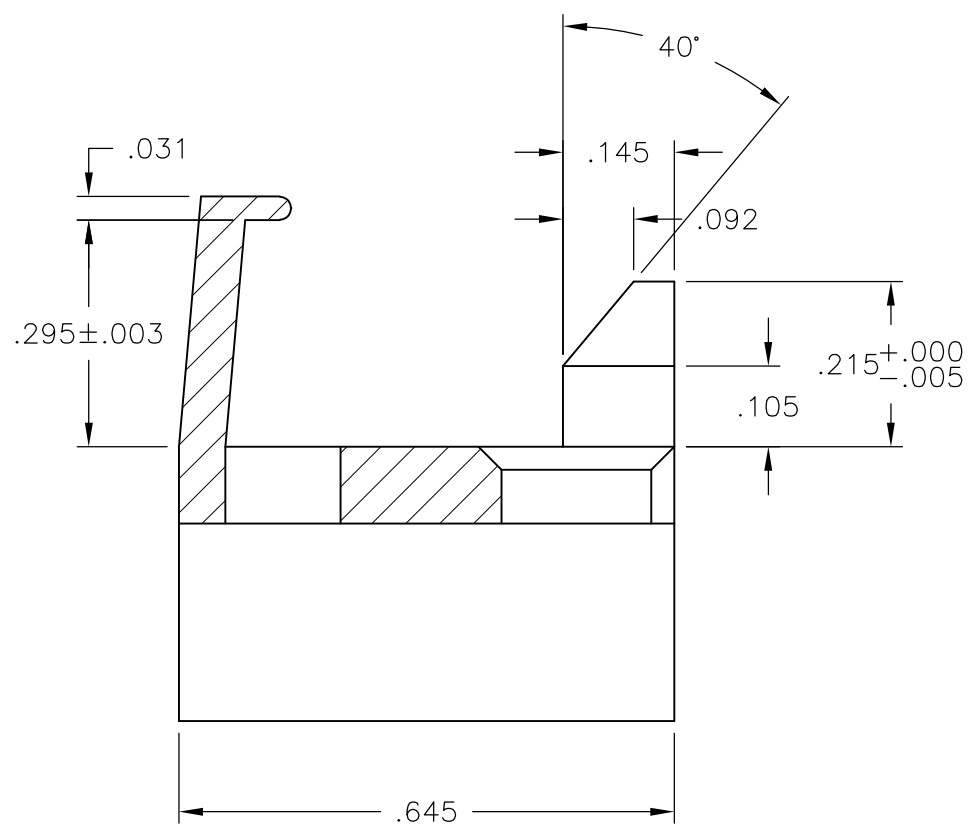
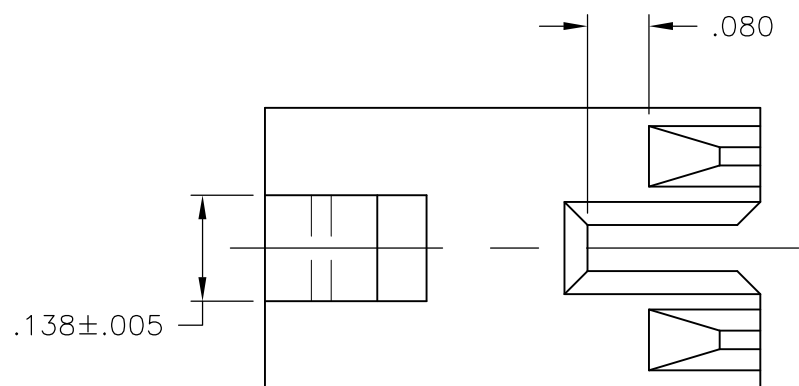
---

© COPYRIGHT - BY TYCO ELECTRONICS CORPORATION.

ALL INTERNATIONAL RIGHTS RESERVED.

LOC	DIST	REVISIONS			
P	LTR	DESCRIPTION	DATE	DWN	APVD
-	-	A	-	8/20/09	SS CR

1 MATERIAL: NYLON 6/6, COLOR: BLACK.



1546063-1  
PART NUMBER

THIS DRAWING IS A CONTROLLED DOCUMENT.		DWN S SCHLEGEL 20AUG2009	Tyco Electronics Corporation Harrisburg, PA 17105-3608	
DIMENSIONS: INCHES		CHK C RICHARD 8/20/09	NAME STANDOFF MOUNTING, RSB	
TOLERANCES UNLESS OTHERWISE SPECIFIED:		APVD C RICHARD 8/20/09	PRODUCT SPEC -	
<ul style="list-style-type: none"> <li>0 PLC ± -</li> <li>1 PLC ± -</li> <li>2 PLC ± .02</li> <li>3 PLC ± .005</li> <li>4 PLC ± -</li> <li>ANGLES ± 2'</li> </ul>		APPLICATION SPEC -		
MATERIAL -		WEIGHT -	SIZE A3	RESTRICTED TO -
FINISH -		CAGE CODE 00779		DRAWING NO 1454063-1
1		CUSTOMER DRAWING		SCALE 1:1
		SHEET 1 OF 1		REV A