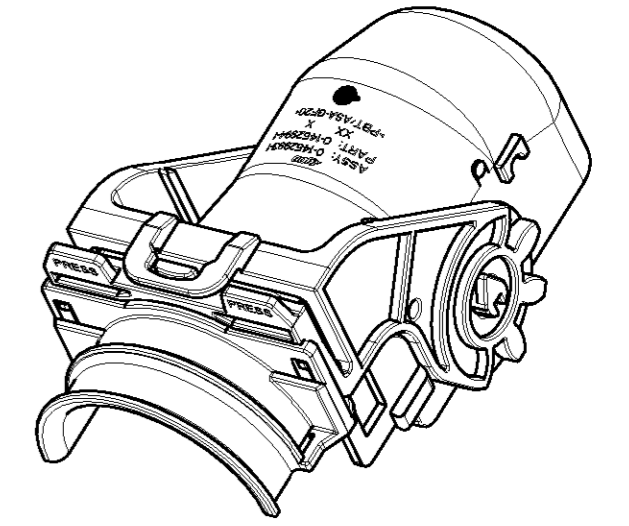
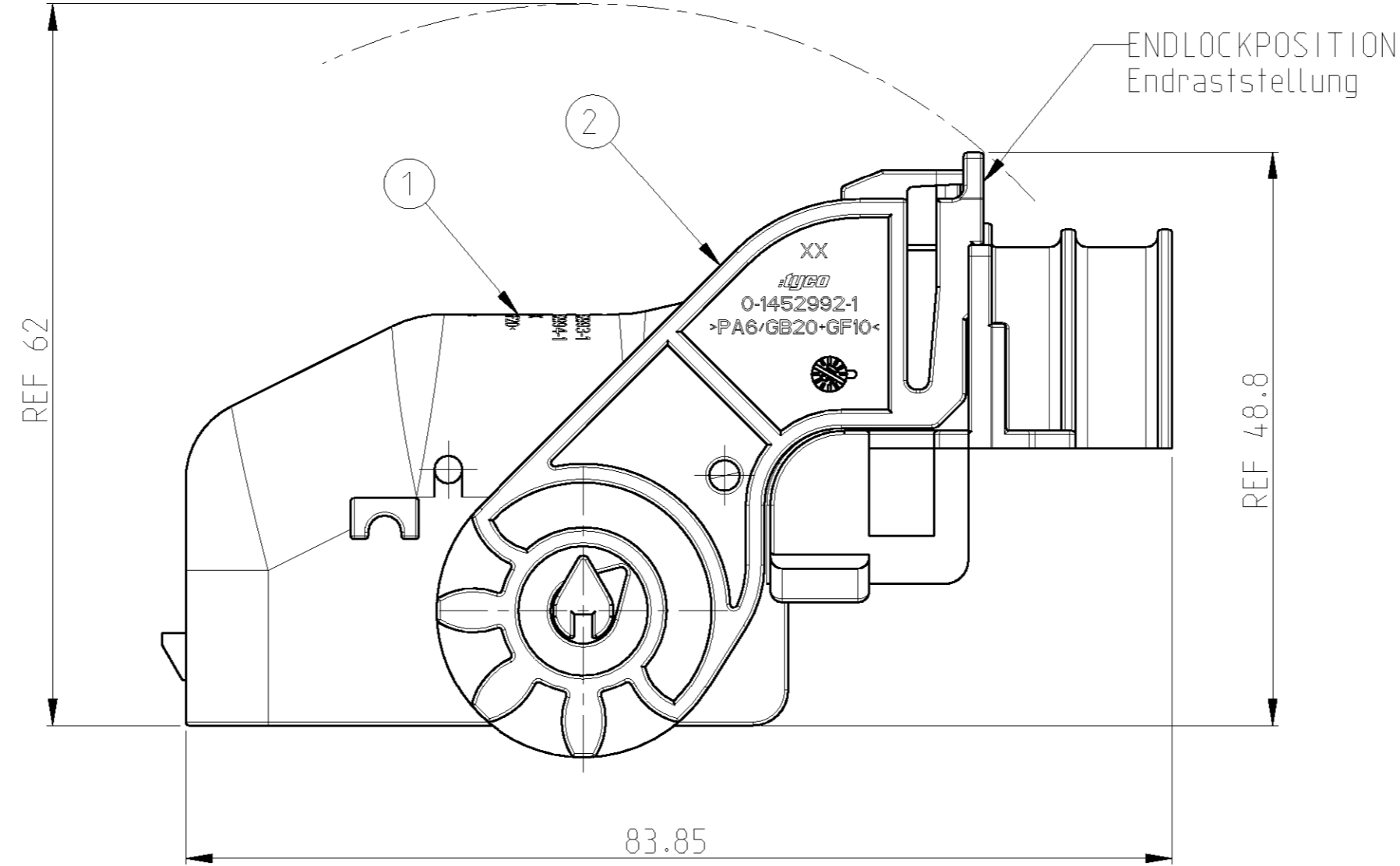
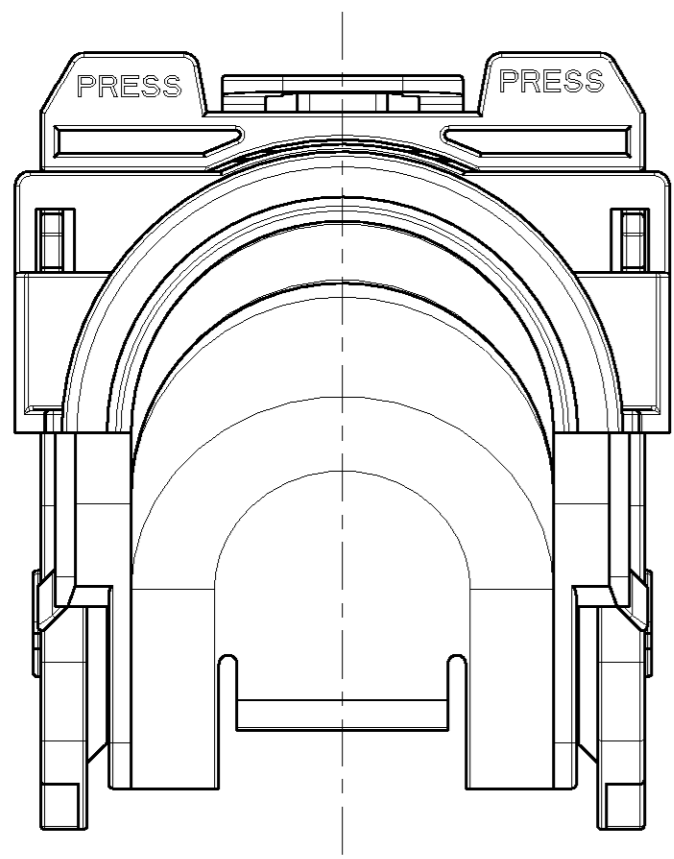
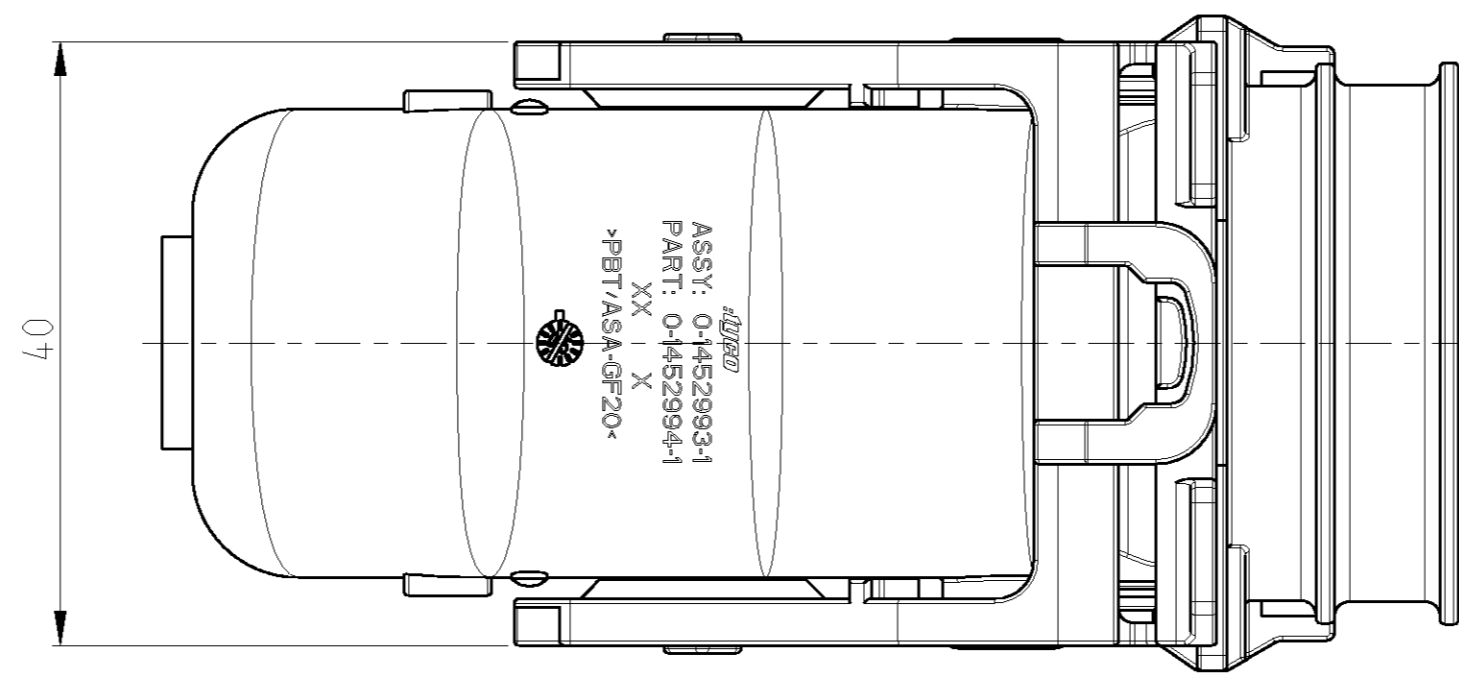


THIS DRAWING IS UNPUBLISHED. RELEASED FOR PUBLICATION 2003
 © COPYRIGHT 2003 BY TYCO ELECTRONICS CORPORATION. ALL RIGHTS RESERVED.

LOC	DIST	REVISIONS					
		P	LTR	DESCRIPTION	DATE	DWN	APVD
A1	-	A		EGA0-0388-05	16DEC2004	GP	GM
		A1		ECR-05-001426	06APR2005	GP	GM
		A2		ECR-05-003941	04JUL2005	GP	GM
		B		ECR-06-009452	19APR2006	GP	GM



1:1



NOTES:
 Bemerkungen:
 ASSY DELIVERED WITH LEVER IN ENDLOCKPOSITION
 Anlieferungszustand: Hebel in Endraststellung

MATED WITH verwendet mit		1452926			
QTY	REQD PER ASSY	DESCRIPTION	MATERIAL	COLOUR	ITEM NO
1x		36/76POS. LEVER	PA6/GB20-GF10	RED	2
1x		36POS. COVER	PBT/ASA-GF20	BLACK	1
0-1452993-1		DESCRIPTION	MATERIAL	COLOUR	ITEM NO
24.70					

THIS DRAWING IS A CONTROLLED DOCUMENT FOR TYCO ELECTRONICS CORPORATION IT IS SUBJECT TO CHANGE AND THE CONTROLLING ENGINEERING ORGANIZATION SHOULD BE CONTACTED FOR THE LATEST REVISION.		DWN G. PUCKEL 16DEC 2004 CHK K. ROTH 16DEC 2004 APVD G. MUMPER 16DEC 2004	tyco Electronics tyco Electronics AMP GmbH D - 64625 Bensheim
DIMENSIONS: mm 	TOLERANCES UNLESS OTHERWISE SPECIFIED: 0 PLC ±0.5 1 PLC ±0.5 2 PLC ±0.5 3 PLC ± 4 PLC ± ANGLES ±° FINISH	NAME 36 POS. COVER ASSEMBLY PRODUCT SPEC APPLICATION SPEC WEIGHT CUSTOMER DRAWING	SIZE A2 CAGE CODE DRAWING NO 1452993 RESTRICTED TO SCALE 2:1 SHEET 1 OF 1 REV B