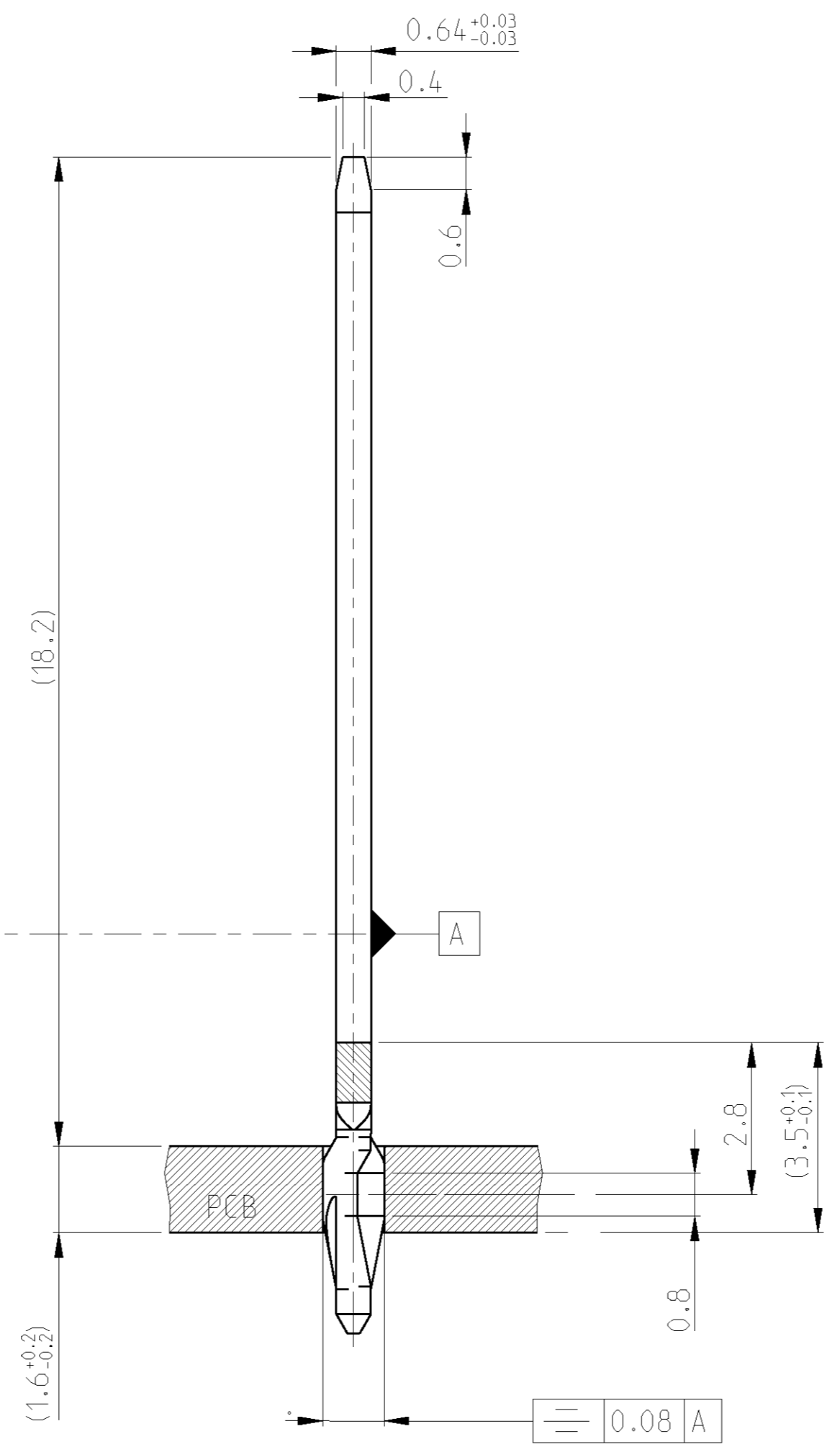
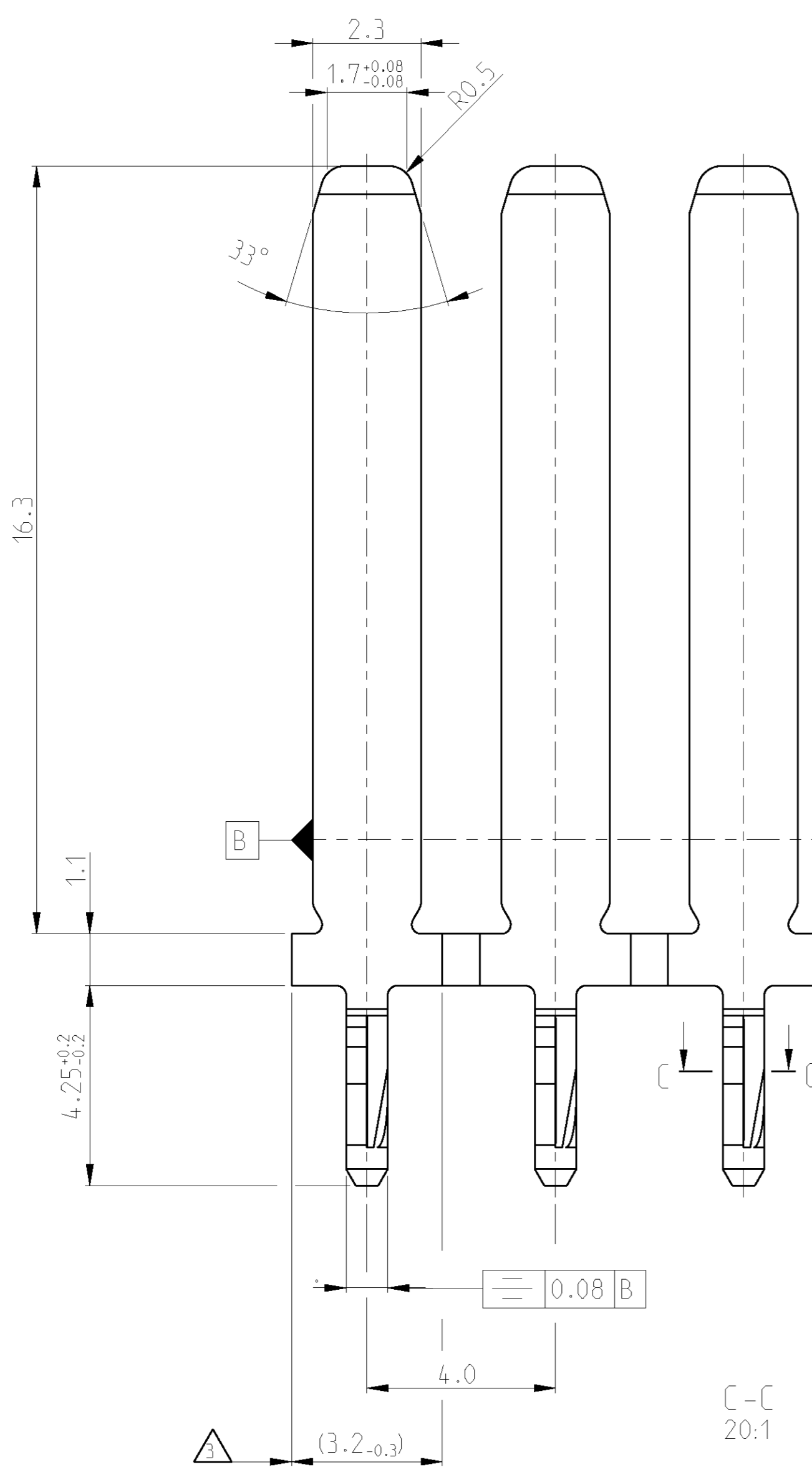


THIS DRAWING IS UNPUBLISHED. RELEASED FOR PUBLICATION 2002
 © COPYRIGHT 2002 BY TYCO ELECTRONICS CORPORATION. ALL RIGHTS RESERVED.

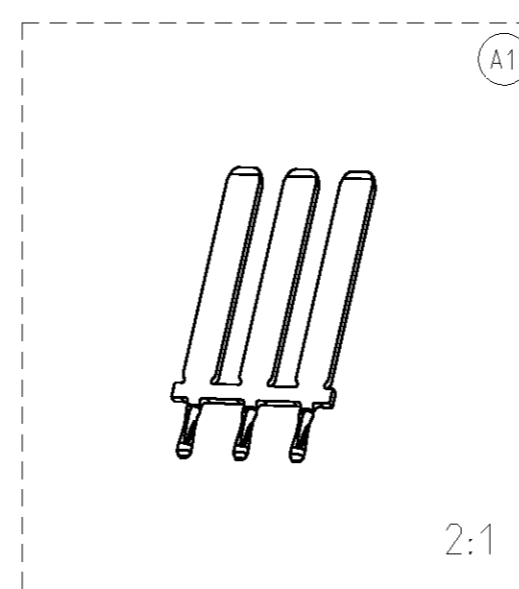
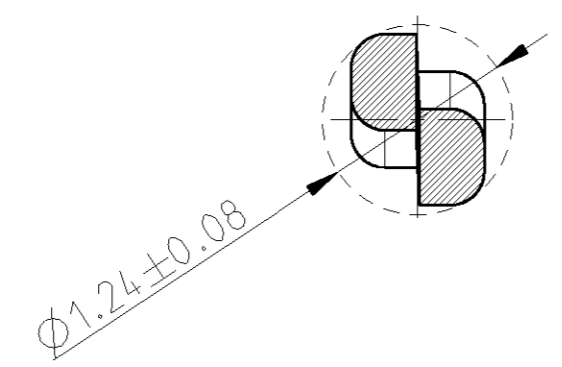
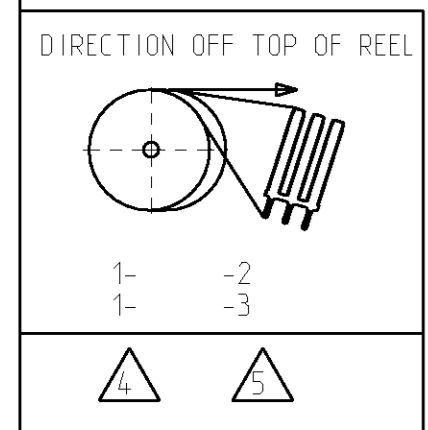
LOC	DIST	REVISIONS					
		P	LTR	DESCRIPTION	DATE	DWN	APVD
A1	-	A		Neutrale Kundenzeichnung erstellt	16DEC2002	TW I	JRY
		A1		Note 5 von Kunststoffspule auf Hartfaserspule geändert	14NOV2005	PNI	JRY



NOTES:
Bemerkungen:

- 1 TIN OVER NICKEL
Zinn ueber Nickel
- 2 RESTRING
Überstand
MTN. 50 µm
- 3 DIMENSION OF LOOSE PIECE
Maß fuer Einzelteil
- 4 TO BE REELED ON PANCAKE REEL WITH INTERLEAVING PAPER
Pappspulen mit Zwischentlagenpapier
- 5 TO BE REELED ON HARD FIBER REEL WITH INTERLEAVING PAPER
Hartfaserspulen mit Zwischentlagenpapier

PLATED THROUGH HOLE SPECIFICATION Spezifikation für durchplatierte Bohrungen	
Cu THICKNESS Kupferschichtdicke	25-50 µm
Sn THICKNESS Zinn-Schichtdicke	4-15 µm
DRILLED HOLE Ø1.15 ±0.025 Bohrungs-Ø 1.15 ±0.025	FINISHED HOLE Ø0.94 +0.15 Platierter Loch-Ø 0.94 +0.15



1-1452691-3	A	Cu Sn 4	△1	△5
1-1452691-2	A	Cu Sn 4	△4	△4
TYCO PART NO.	REV.	MATERIAL	SURFACE	REEL PACKING
THIS DRAWING IS A CONTROLLED DOCUMENT FOR TYCO ELECTRONICS CORPORATION IT IS SUBJECT TO CHANGE AND THE CONTROLLING ENGINEERING ORGANIZATION SHOULD BE CONTACTED FOR THE LATEST REVISION.		DWN T.Wild	31OCT2002	tyco Electronics AMP GmbH D - 64625 Bensheim
		CHK J.Ryll	06NOV2002	
DIMENSIONS: mm		TOLERANCES UNLESS OTHERWISE SPECIFIED:		NAME TAB 2.3x0.64 WITH ACTION PIN Flachstecker 2.3x0.64mm mit Action Pin NEUTRAL
0 PLC ±		1 PLC ±0.2		PRODUCT SPEC 108-18867
1 PLC ±0.1		2 PLC ±		APPLICATION SPEC 114-18570
2 PLC ±		3 PLC ±		SIZE A2
3 PLC ±		4 PLC ±		CAGE CODE 00779
4 PLC ±		ANGLES 45°		DRAWING NO 1452691
FINISH SEE TABLE		FINISH SEE TABLE		RESTRICTED TO -
MATERIAL SEE TABLE		WEIGHT -		SCALE 10:1
		CUSTOMER DRAWING		SHEET 1 OF 1
				REV A1