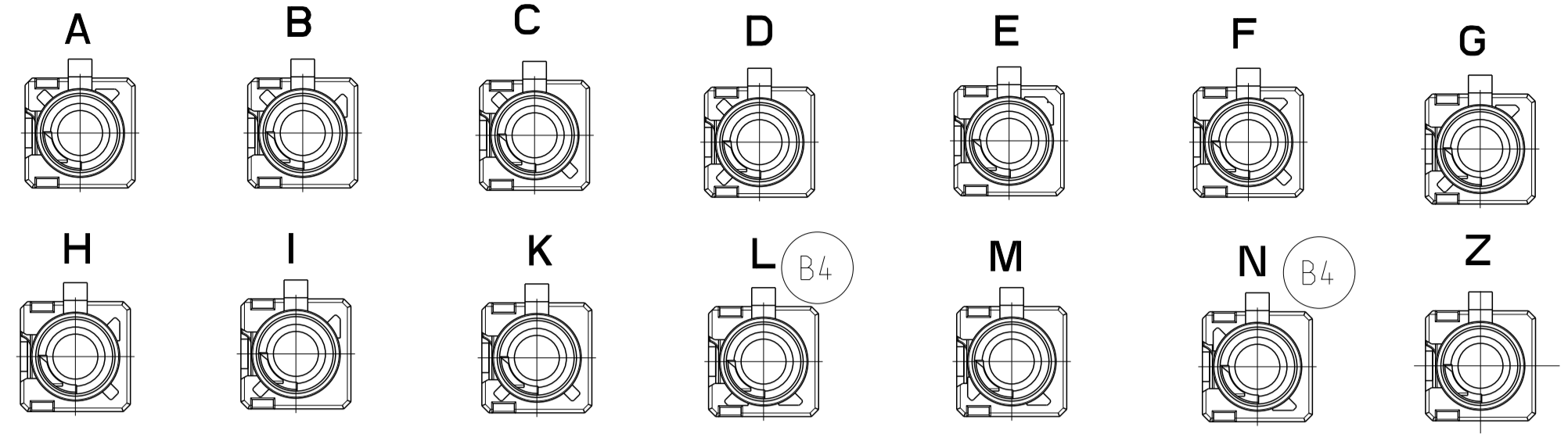
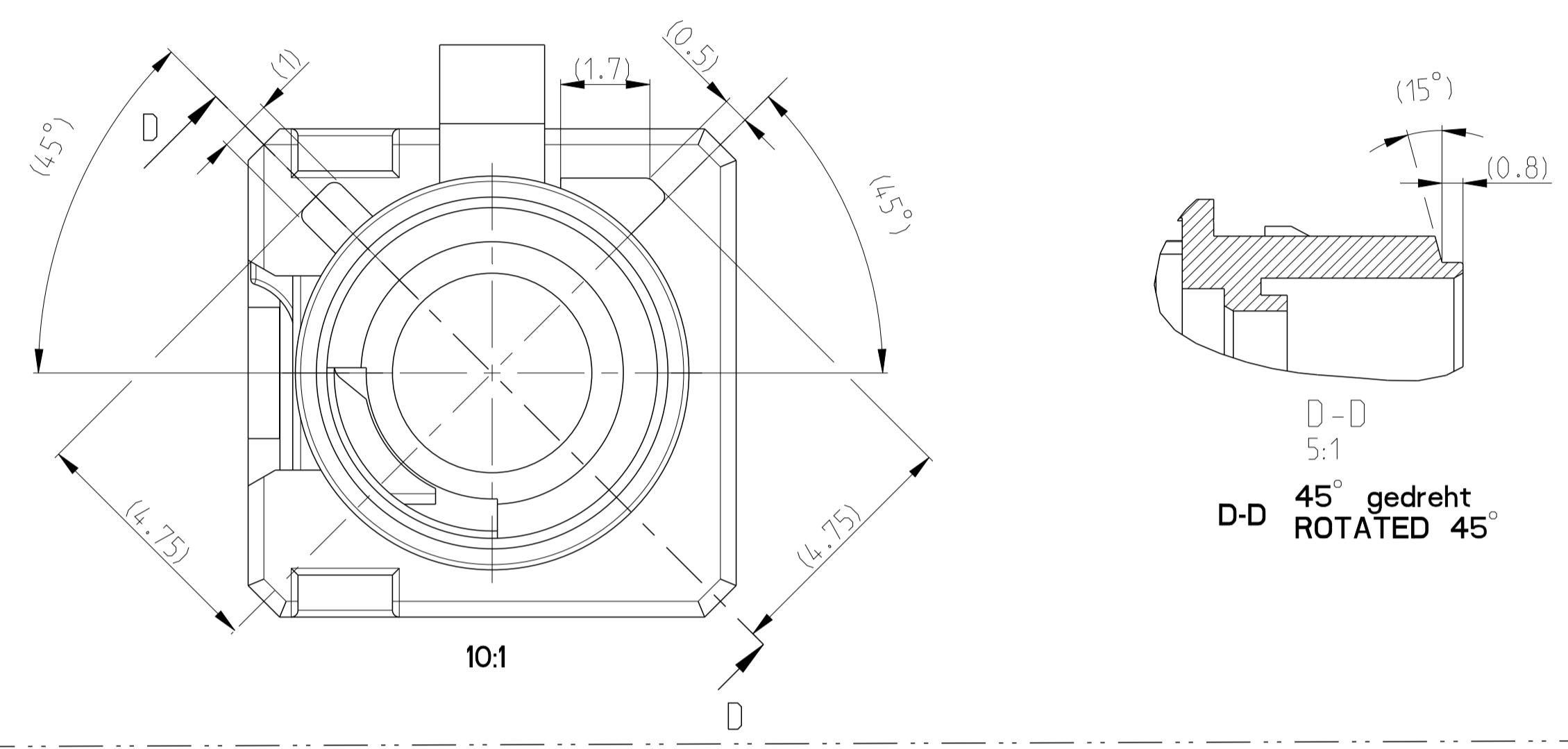


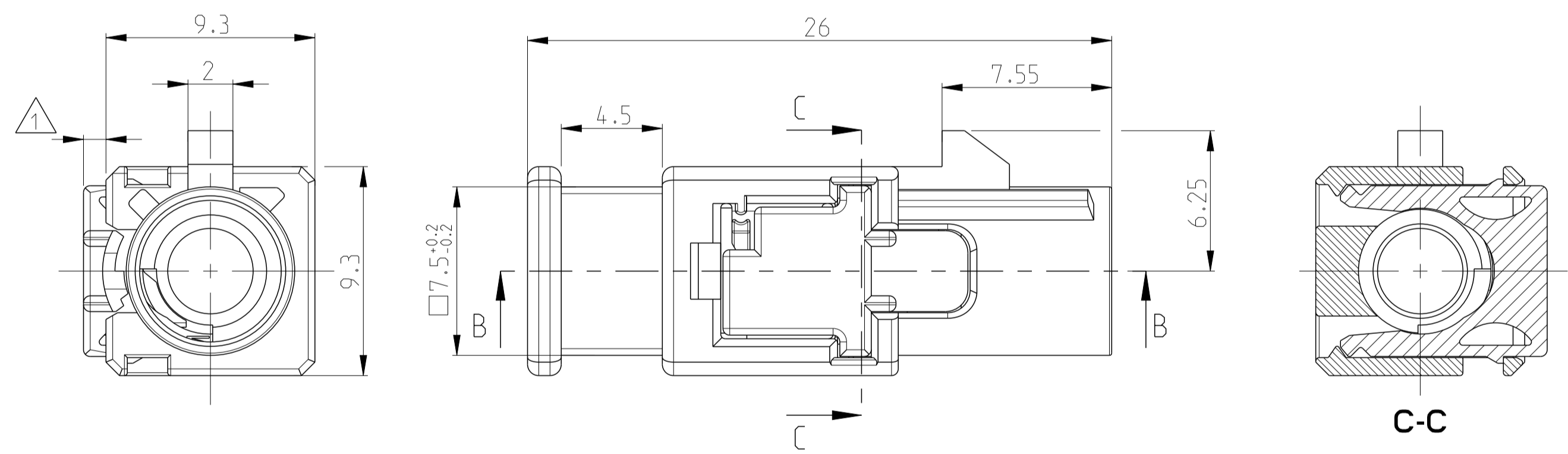
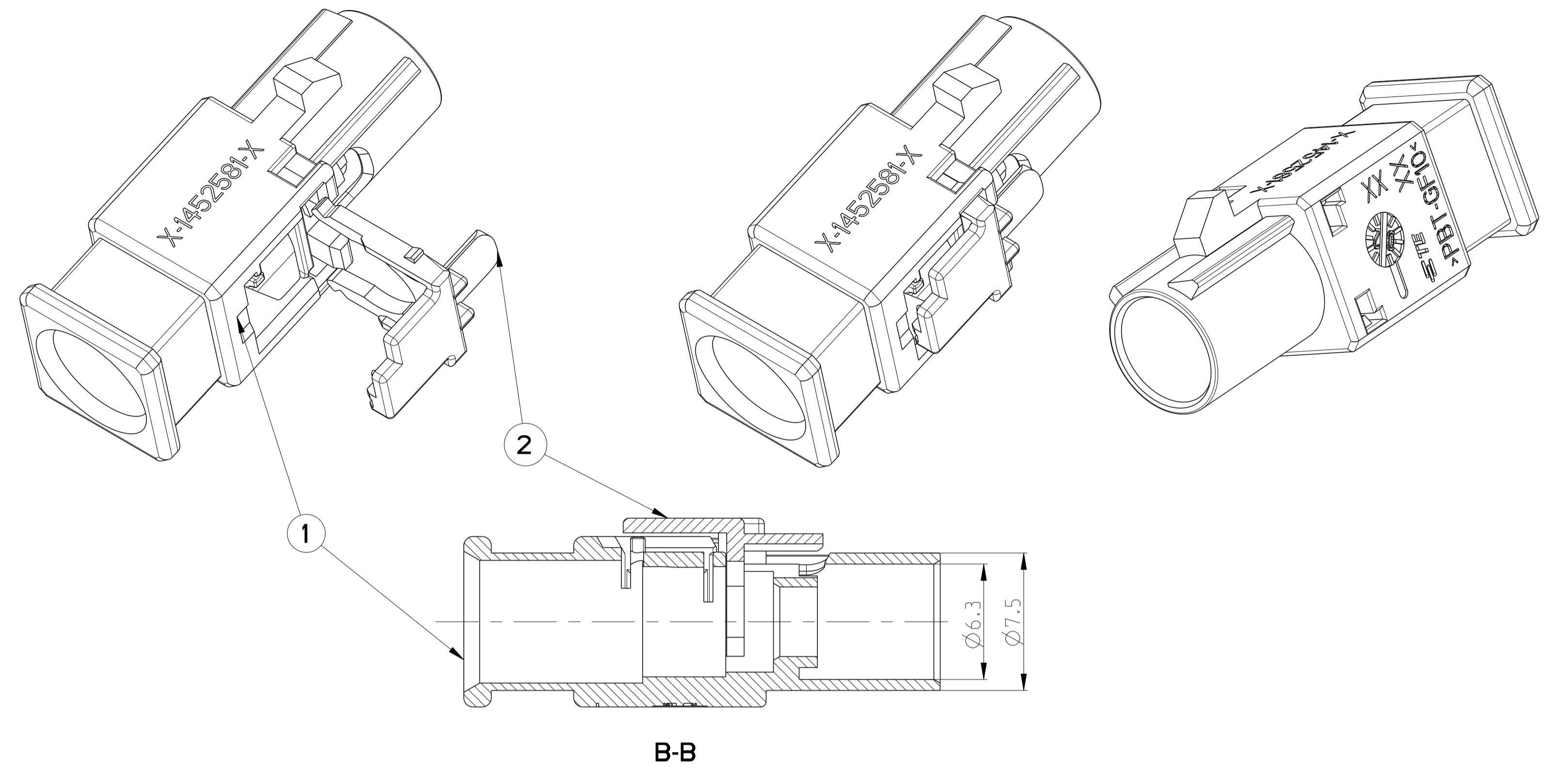
**Kodierungen
KEY CODES**
2:1



**Bemaßung der Kodierrippen gemäss FAKRA 2
(bezieht sich auf alle Kodierrippen)
DIMENSIONS OF THE KEY CODING RIBS ACCORDING TO FAKRA 2
(APPLY TO ALL CODING RIBS)**



LOC	DIST	REVISIONS					
A1	-	P.	LTN	DESCRIPTION	DATE	DWN	APVD
		B3		PCN-E-08-008139	01APR2008	AL	HR
		B4		E-16-003302	15MAR2016	S.N.	U.G.



**Bemerkungen
NOTES**

- 1 Sekundärverriegelung in Vorraststellung
RETAINER IN PRE-SET POSITION
- 2 0-1452581-1 wie gezeichnet
0-1452581-1 AS SHOWN
- 3 Im gesteckten Zustand müssen die elektrischen und mechanischen Anforderungen nach FAKRA und IEC 169-10 erfüllt werden.
THE CONNECTION HAS TO FULFILL THE MECHANICAL AND ELECTRICAL REQUIREMENTS OF FAKRA AND IEC 169-10.
- 4 TE Teilenummer siehe Tabelle
TE PART NUMBER SEE TABLE
- 5 Passende Kontakte siehe K-Zeichnung 1488570
SUITABLE TERMINALS SEE C-DRAWING 1488570

TE PART NUMBER	REV	KEY CODE	DESCRIPTION	COLOUR Similar to RAL No.	QTY	ITEM NO	SUITABLE FOR
B4 1-1452581-4		N	1 WAY RETAINER	traffic purple/4006	1	2	1-1452584-4
			1 WAY JACK HSG.	pastel green/6019	1	1	
1-1452581-3		M	1 WAY RETAINER	traffic purple/4006	1	2	1-1452584-3
			1 WAY JACK HSG.	pastel orange/2003	1	1	
B4 1-1452581-2		L	1 WAY RETAINER	traffic purple/4006	1	2	1-1452584-2
			1 WAY JACK HSG.	carmin red/3002	1	1	
1-1452581-1		Z	1 WAY RETAINER	traffic purple/4006	1	2	1-1452584-1
			1 WAY JACK HSG.	water blue/5021	1	1	
1-1452581-0		K	1 WAY RETAINER	traffic purple/4006	1	2	1-1452584-0
			1 WAY JACK HSG.	curry/1027	1	1	
0-1452581-9		I	1 WAY RETAINER	traffic purple/4006	1	2	0-1452584-9
			1 WAY JACK HSG.	beige/1001	1	1	
0-1452581-8		H	1 WAY RETAINER	traffic purple/4006	1	2	0-1452584-8
			1 WAY JACK HSG.	violett/4003	1	1	
0-1452581-7		G	1 WAY RETAINER	traffic purple/4006	1	2	0-1452584-7
			1 WAY JACK HSG.	blue grey/7031	1	1	
0-1452581-6		F	1 WAY RETAINER	traffic purple/4006	1	2	0-1452584-6
			1 WAY JACK HSG.	brown/8011	1	1	
0-1452581-5		E	1 WAY RETAINER	traffic purple/4006	1	2	0-1452584-5
			1 WAY JACK HSG.	green/6002	1	1	
0-1452581-4		D	1 WAY RETAINER	traffic purple/4006	1	2	0-1452584-4
			1 WAY JACK HSG.	claret violett/4004	1	1	
0-1452581-3		C	1 WAY RETAINER	traffic purple/4006	1	2	0-1452584-3
			1 WAY JACK HSG.	blue/5005	1	1	
0-1452581-2		B	1 WAY RETAINER	traffic purple/4006	1	2	0-1452584-2
			1 WAY JACK HSG.	cream/9001	1	1	
0-1452581-1		A	1 WAY RETAINER	traffic purple/4006	1	2	0-1452584-1
			1 WAY JACK HSG.	black/9005	1	1	

THIS DRAWING IS A CONTROLLED DOCUMENT.		DWN C. FEINWEBER 06MAY2002	TE Connectivity
DIMENSIONS: mm		CHK H. RIDDER 06MAY2002	
TOLERANCES UNLESS OTHERWISE SPECIFIED:		APVD G. MUMMER 06MAY2002	NAME Kupplergehäuse (Stiftseite), Zusammenbau JACK HOUSING (Male) ASSEMBLY 1polig, 1WAY, FAKRA2
0 PLC ±0.3 1 PLC ±0.3 2 PLC ±0.3 3 PLC ±0.3 4 PLC ±0.3 ANGLES ±5		PRODUCT SPEC 108-18897-1 APPLICATION SPEC 114-18609-1	
MATERIAL: -		WEIGHT: -	SIZE CAGE CODE DRAWING NO A1 00779 C=1452581
FINISH: -		CUSTOMER DRAWING	RESTRICTED TO SCALE 5:1 SHEET 1 OF 1 REV B4