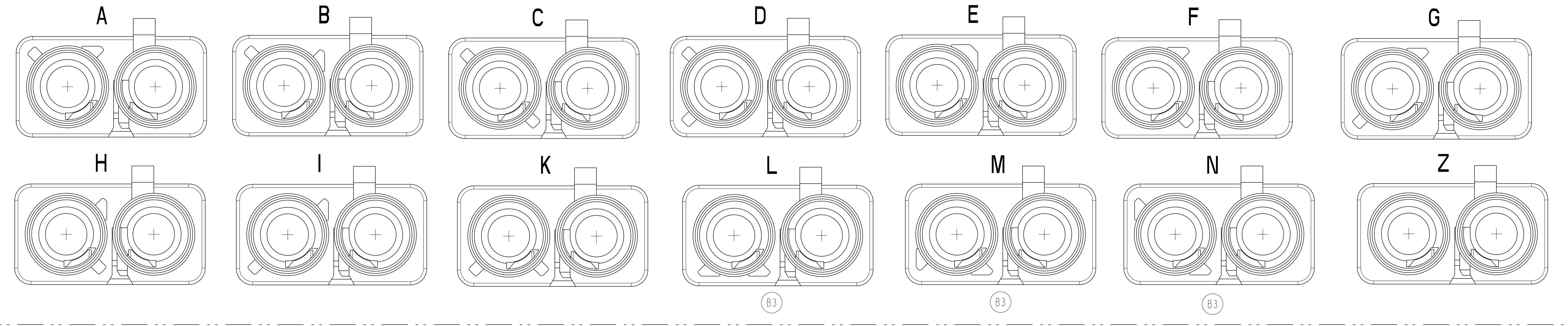
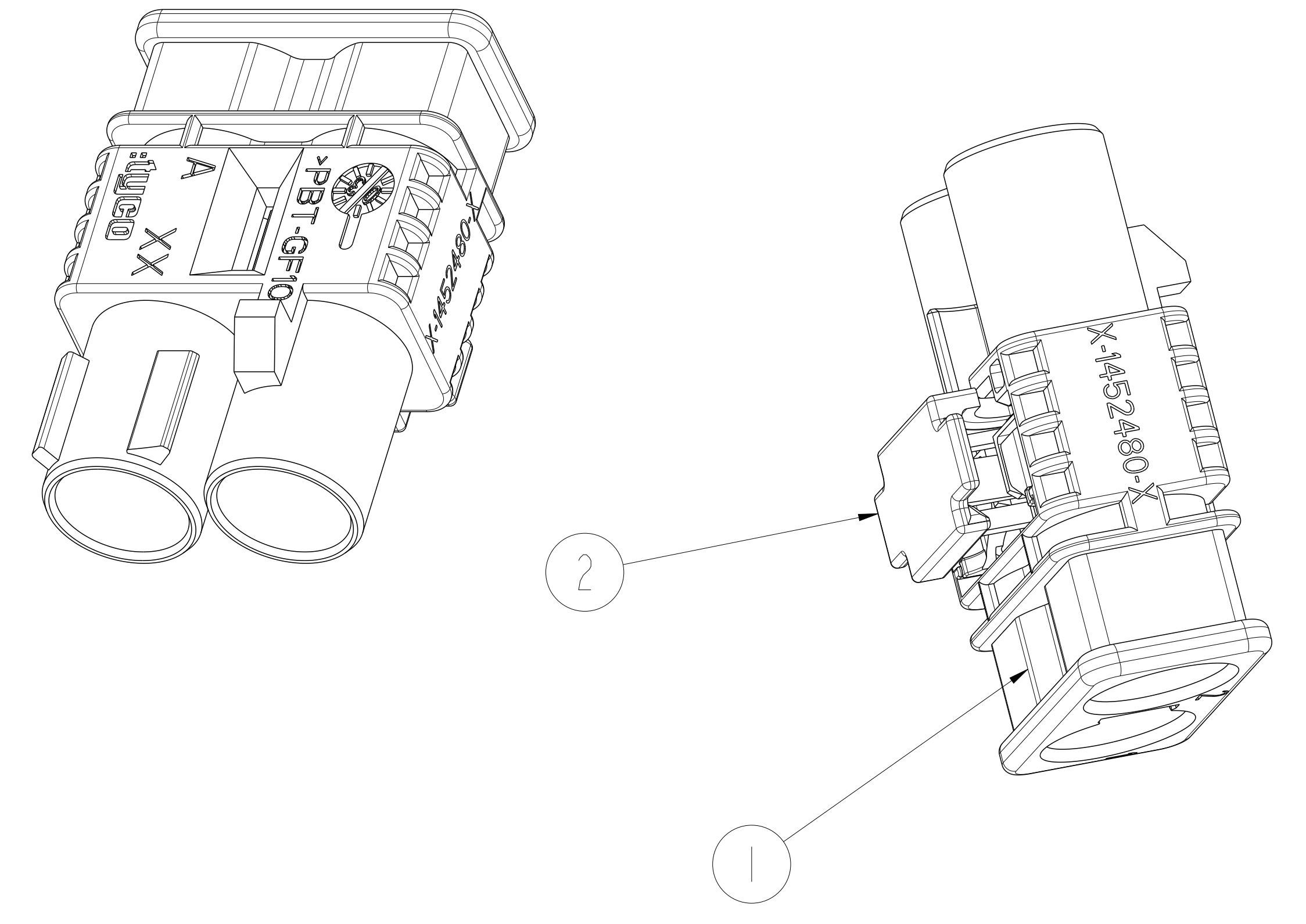


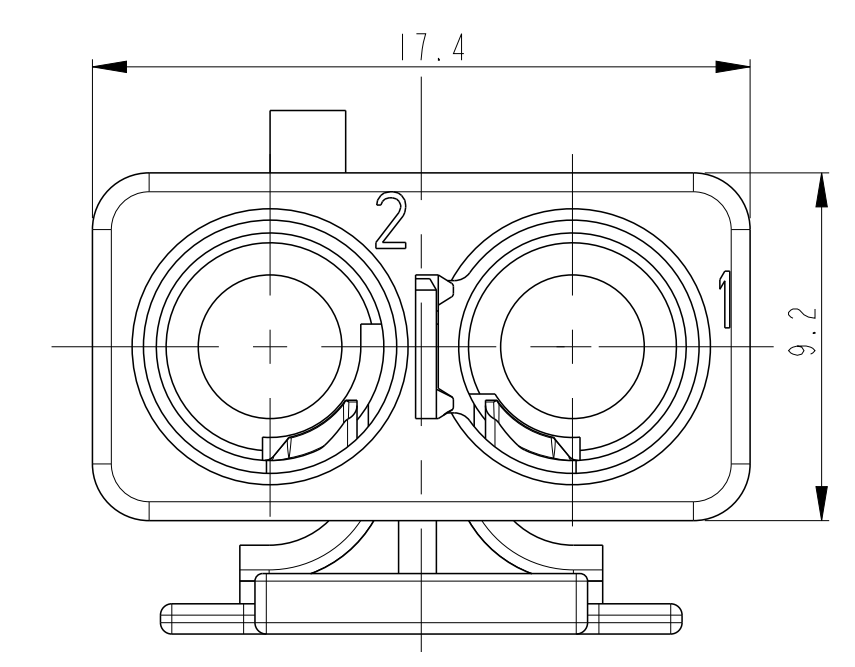
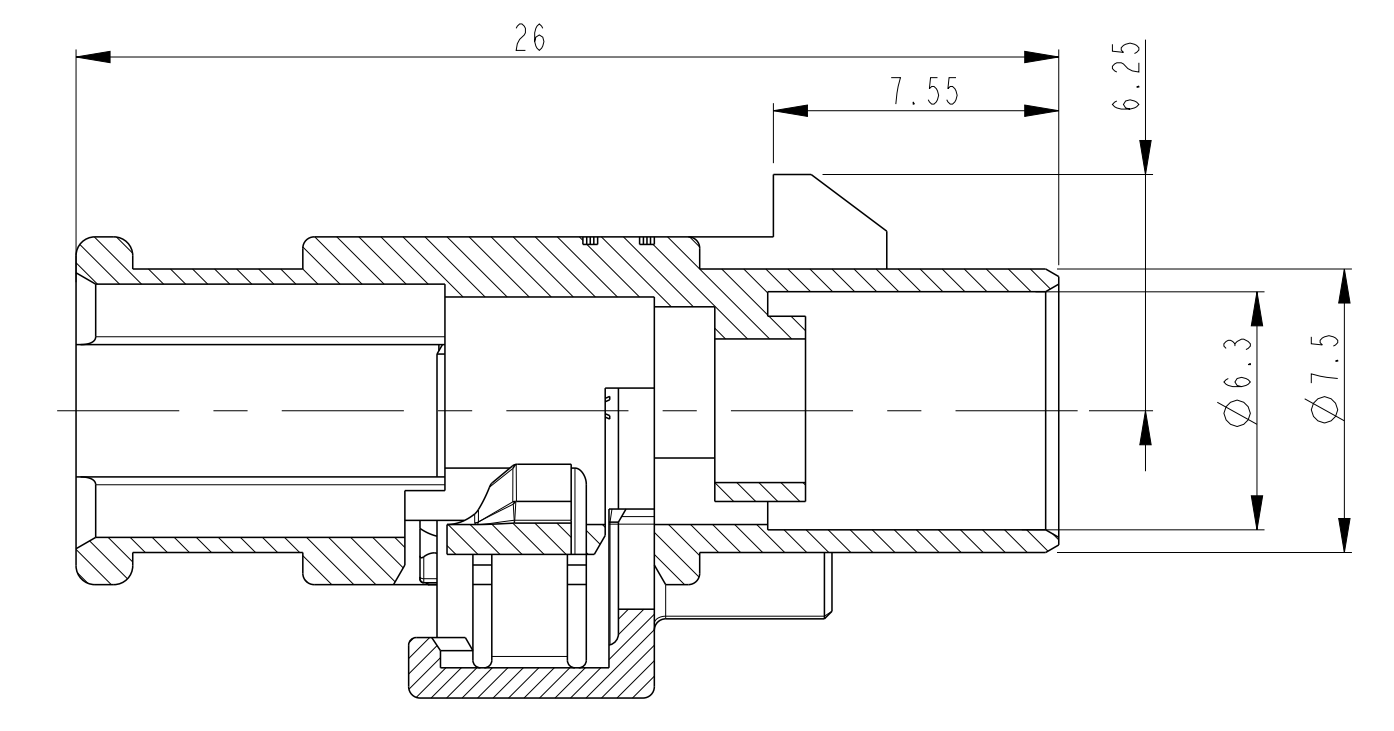
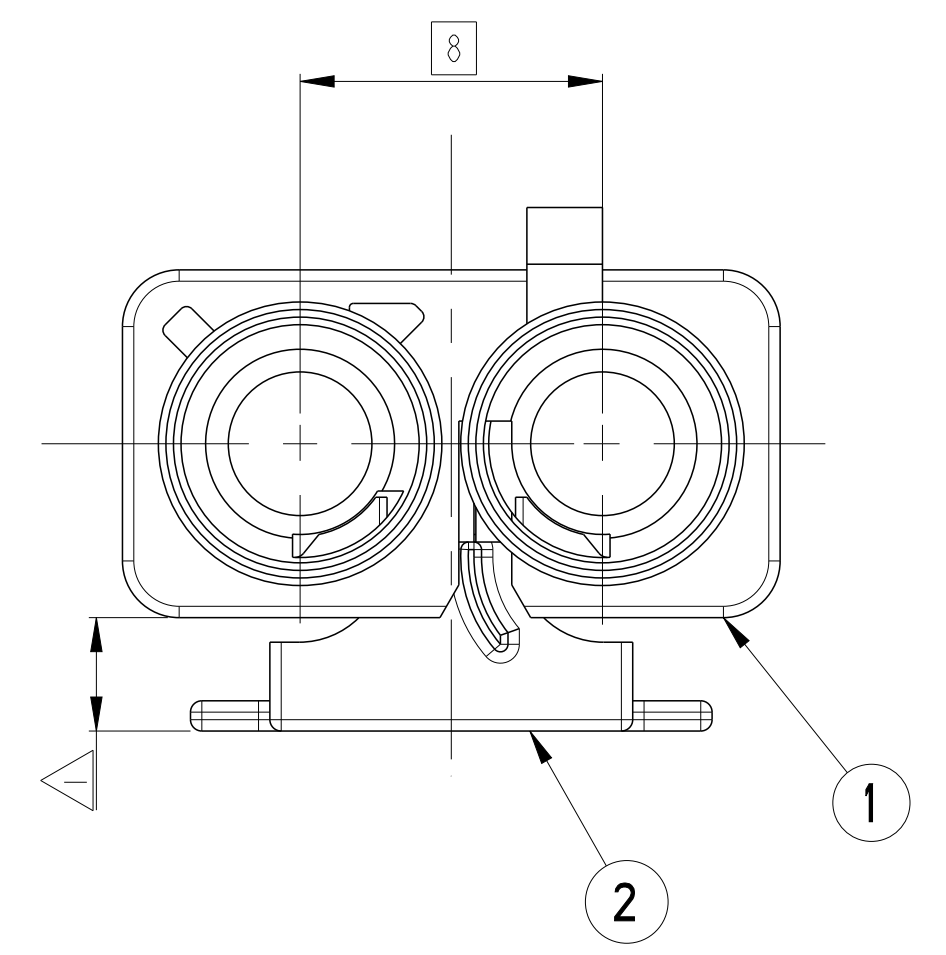
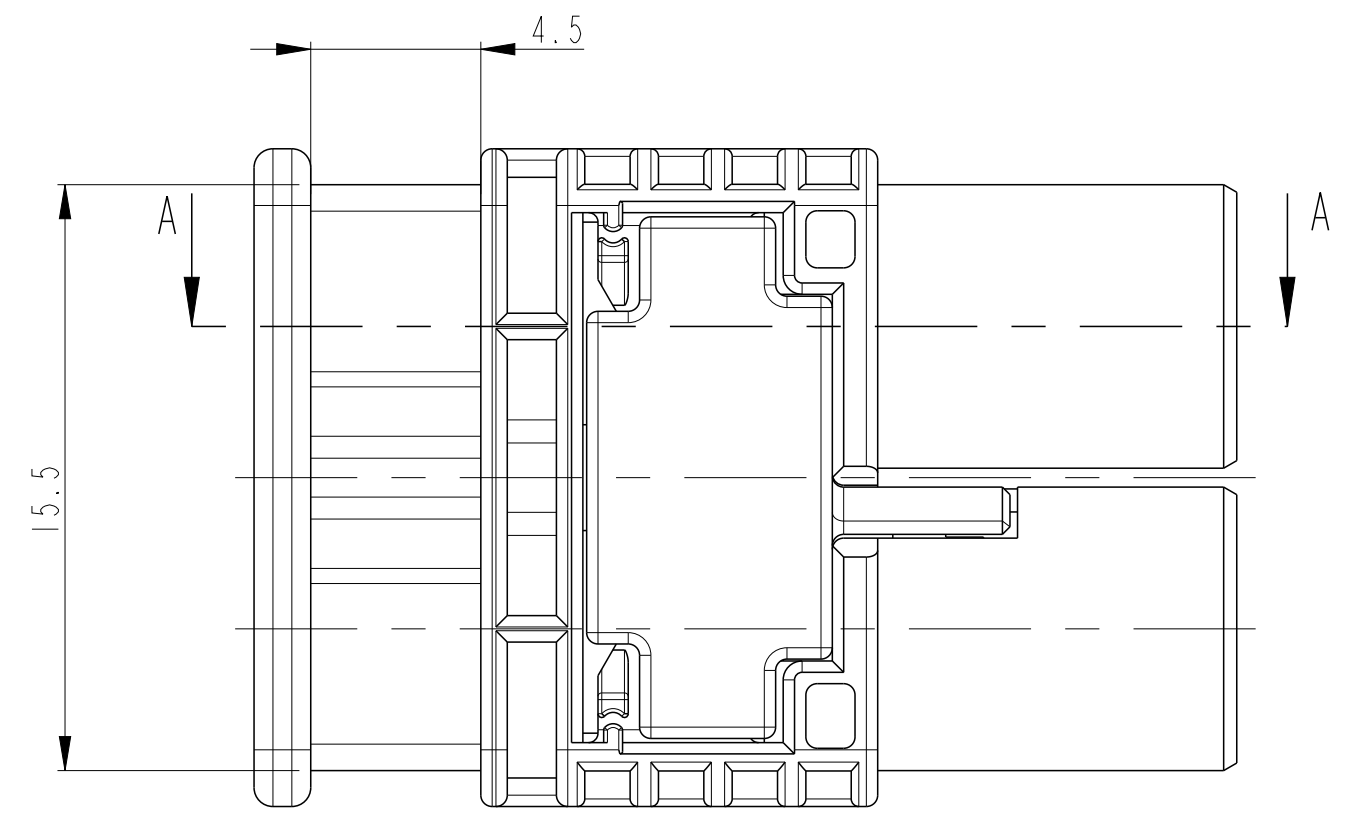
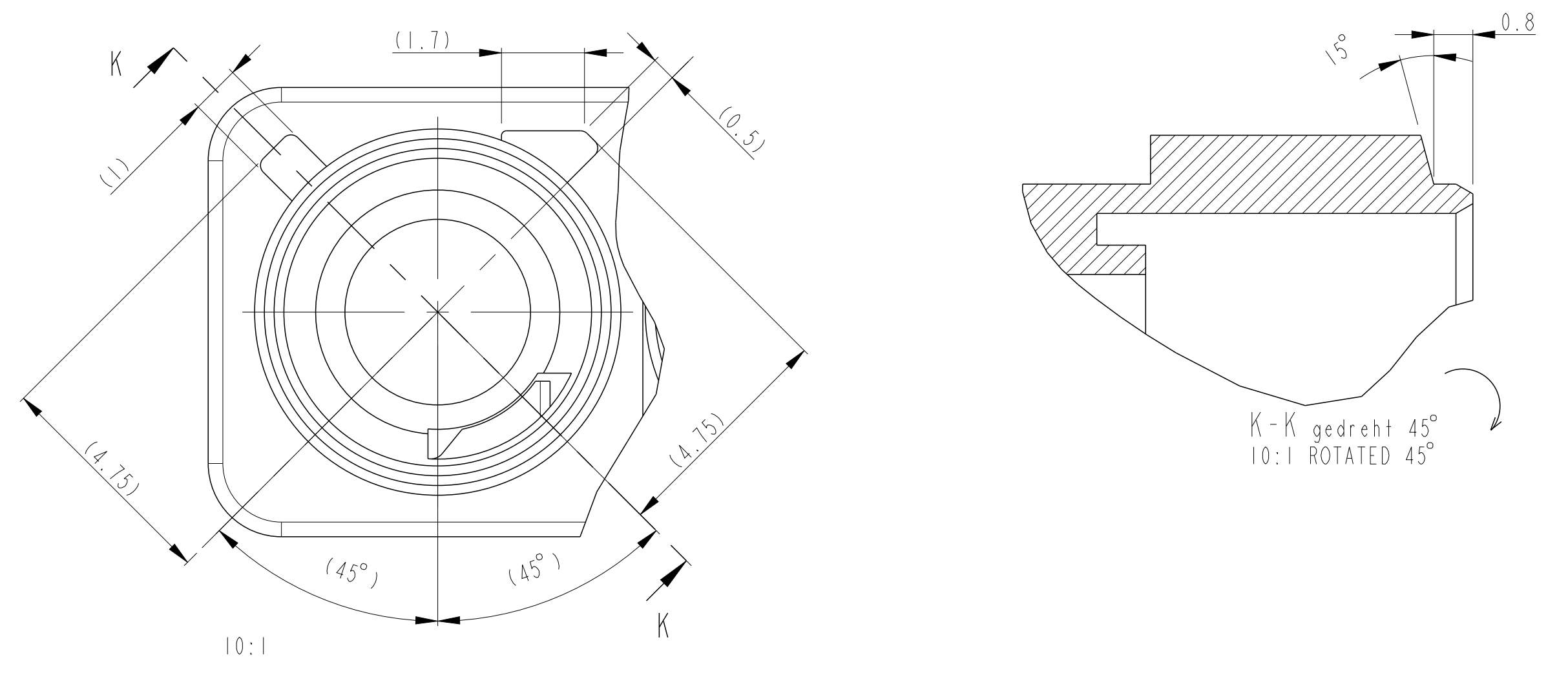
# Kodierungen CODINGS



| REVISIONS |           |                      |      |       |
|-----------|-----------|----------------------|------|-------|
| NO.       | DATE      | DESCRIPTION          | BY   | APPD. |
| B         | 19NOV2003 | SEE PCN EG40-0170-03 | CF   | HR    |
| B1        | 25JAN2005 | SEE PCN EG40-0119-05 | CF   | HR    |
| B2        | 20FEB2006 | E-06-4513            | CF   | HR    |
| B3        | 16MAY2014 | E-16-003302          | S.N. | U.G.  |

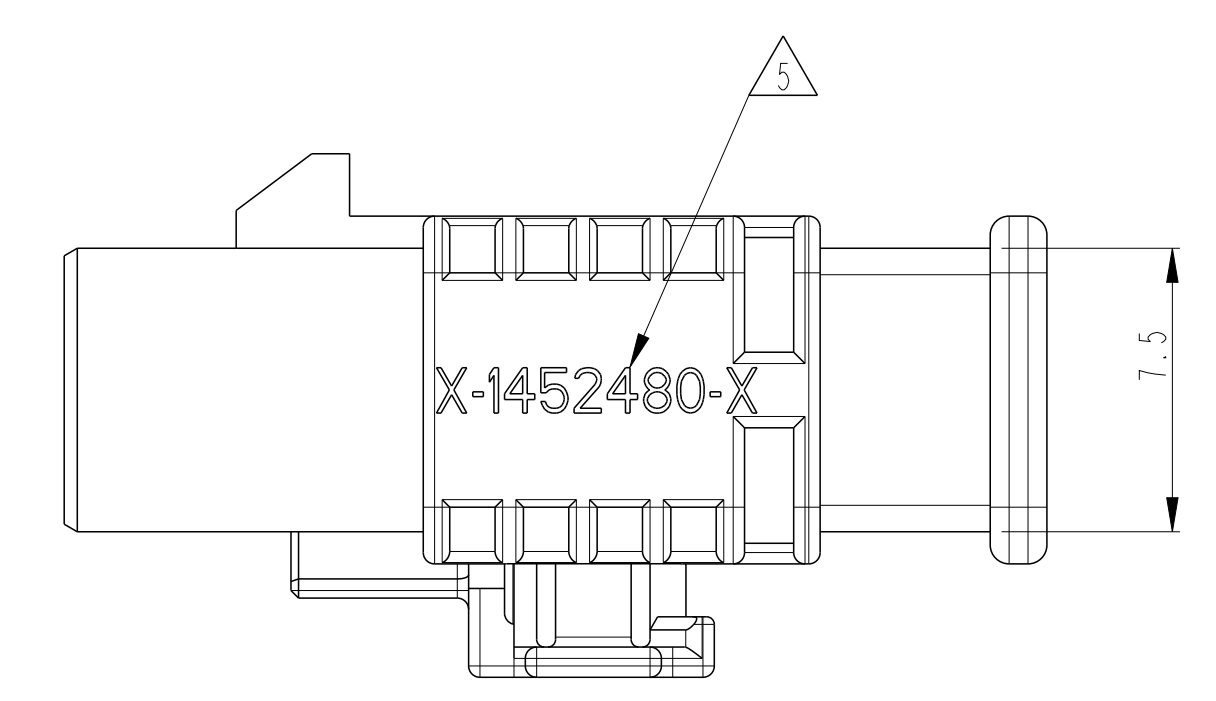


**BEMESSUNG DER KODIERRIPPEN GEMAESS FAKRA 2  
(BEZIEHT SICH AUF ALLE KODIERRIPPEN)  
DIMENSIONS OF THE KEY CODING RIBS ACCORDING TO FAKRA 2  
(APPLY TO ALL CODING RIBS)**



## Bemerkungen NOTES

- △ Sekundaerverriegelung in Vorraststellung  
RETAINER IN PRE-SET POSITION
- 2 0-1452480-1 wie gezeichnet  
0-1452480-1 AS SHOWN
- 3 Im gesteckten Zustand muessen die elektrischen und mechanischen Anforderungen nach FAKRA und IEC 169-10 erfuellt werden  
THE CONNECTOR HAS TO FULLFILL THE MECHANICAL AND ELECTRICAL REQUIREMENTS OF FAKRA AND IEC 169-10
- 4 Passende Kontakte siehe Kundenzeichnung I488147  
SUITABLE TERMINALS SEE CUSTOMER DRAWING I488147
- △ TE PN nach Tabelle  
TE PN ACC. TABLE



| TE PN       | REV. | DESCRIPTION                                       | CODING | COLOUR Similar RAL No. | QTY | ITEM NO. | SUITABLE FOR |
|-------------|------|---|--------|------------------------|-----|----------|--------------|
| 1-1452480-4 | B    | Sekundaerverriegelung<br>RETAINER                 | N      | traffic purple/4006    | 1   | 2        | 3-1452483-4  |
|             |      | 2pol Kupplergehaeuse 8mm<br>2WAY JACK HOUSING 8MM |        | pastel green/6019      | 1   | 1        | 1-1452483-4  |
| 1-1452480-3 | B    | Sekundaerverriegelung<br>RETAINER                 | M      | traffic purple/4006    | 1   | 2        | 3-1452483-3  |
|             |      | 2pol Kupplergehaeuse 8mm<br>2WAY JACK HOUSING 8MM |        | pastel orange/2003     | 1   | 1        | 1-1452483-3  |
| 1-1452480-2 | B    | Sekundaerverriegelung<br>RETAINER                 | L      | traffic purple/4006    | 1   | 2        | 3-1452483-2  |
|             |      | 2pol Kupplergehaeuse 8mm<br>2WAY JACK HOUSING 8MM |        | carmine red/3002       | 1   | 1        | 1-1452483-2  |
| 1-1452480-1 | B    | Sekundaerverriegelung<br>RETAINER                 | Z      | traffic purple/4006    | 1   | 2        | 3-1452483-1  |
|             |      | 2pol Kupplergehaeuse 8mm<br>2WAY JACK HOUSING 8MM |        | water blue/5021        | 1   | 1        | 1-1452483-1  |
| 1-1452480-0 | B    | Sekundaerverriegelung<br>RETAINER                 | K      | traffic purple/4006    | 1   | 2        | 3-1452483-0  |
|             |      | 2pol Kupplergehaeuse 8mm<br>2WAY JACK HOUSING 8MM |        | curry/1027             | 1   | 1        | 1-1452483-0  |
| 0-1452480-9 | B    | Sekundaerverriegelung<br>RETAINER                 | I      | traffic purple/4006    | 1   | 2        | 2-1452483-9  |
|             |      | 2pol Kupplergehaeuse 8mm<br>2WAY JACK HOUSING 8MM |        | beige/1001             | 1   | 1        | 0-1452483-9  |
| 0-1452480-8 | B    | Sekundaerverriegelung<br>RETAINER                 | H      | traffic purple/4006    | 1   | 2        | 2-1452483-8  |
|             |      | 2pol Kupplergehaeuse 8mm<br>2WAY JACK HOUSING 8MM |        | violett/4003           | 1   | 1        | 0-1452483-8  |
| 0-1452480-7 | B    | Sekundaerverriegelung<br>RETAINER                 | G      | traffic purple/4006    | 1   | 2        | 2-1452483-7  |
|             |      | 2pol Kupplergehaeuse 8mm<br>2WAY JACK HOUSING 8MM |        | blue grey/7031         | 1   | 1        | 0-1452483-7  |
| 0-1452480-6 | B    | Sekundaerverriegelung<br>RETAINER                 | F      | traffic purple/4006    | 1   | 2        | 2-1452483-6  |
|             |      | 2pol Kupplergehaeuse 8mm<br>2WAY JACK HOUSING 8MM |        | brown/8011             | 1   | 1        | 0-1452483-6  |
| 0-1452480-5 | B    | Sekundaerverriegelung<br>RETAINER                 | E      | traffic purple/4006    | 1   | 2        | 2-1452483-5  |
|             |      | 2pol Kupplergehaeuse 8mm<br>2WAY JACK HOUSING 8MM |        | green/6002             | 1   | 1        | 0-1452483-5  |
| 0-1452480-4 | B    | Sekundaerverriegelung<br>RETAINER                 | D      | traffic purple/4006    | 1   | 2        | 2-1452483-4  |
|             |      | 2pol Kupplergehaeuse 8mm<br>2WAY JACK HOUSING 8MM |        | claret violett/4004    | 1   | 1        | 0-1452483-4  |
| 0-1452480-3 | B    | Sekundaerverriegelung<br>RETAINER                 | C      | traffic purple/4006    | 1   | 2        | 2-1452483-3  |
|             |      | 2pol Kupplergehaeuse 8mm<br>2WAY JACK HOUSING 8MM |        | blue/5005              | 1   | 1        | 0-1452483-3  |
| 0-1452480-2 | B    | Sekundaerverriegelung<br>RETAINER                 | B      | traffic purple/4006    | 1   | 2        | 2-1452483-2  |
|             |      | 2pol Kupplergehaeuse 8mm<br>2WAY JACK HOUSING 8MM |        | cream/9001             | 1   | 1        | 0-1452483-2  |
| 0-1452480-1 | B    | Sekundaerverriegelung<br>RETAINER                 | A      | traffic purple/4006    | 1   | 2        | 2-1452483-1  |
|             |      | 2pol Kupplergehaeuse 8mm<br>2WAY JACK HOUSING 8MM |        | deep black/9005        | 1   | 1        | 0-1452483-1  |

|  |               |                 |                  |                 |
|--|---------------|-----------------|------------------|-----------------|
| THIS DRAWING IS A CONTROLLED DOCUMENT. |               | DATE: 28APR2003 | BY: M. TRAJKOVIC | APPD: J. RIPPER |
| DIMENSIONS:                            | UNITS:        | SCALE:          | PROJECT SPEC:    | PRODUCT SPEC:   |
| 1:1                                    | mm            | 1:1             | 108-18897-1      | 114-18609-1     |
| MATERIAL:                              | FINISH:       | WEIGHT:         | ANGLE:           | RESTRICTED TO:  |
| material_2                             | finish_spec_2 |                 |                  | A0              |
| CUSTOMER DRAWING                       |               | SCALE: 5:1      | SHEET: 1 of 1    | REV: B3         |