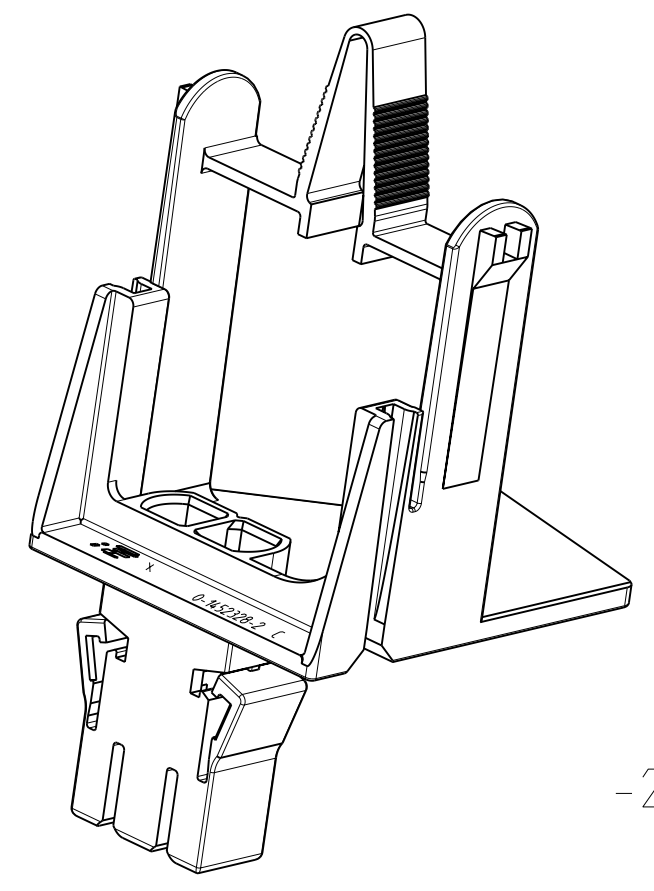
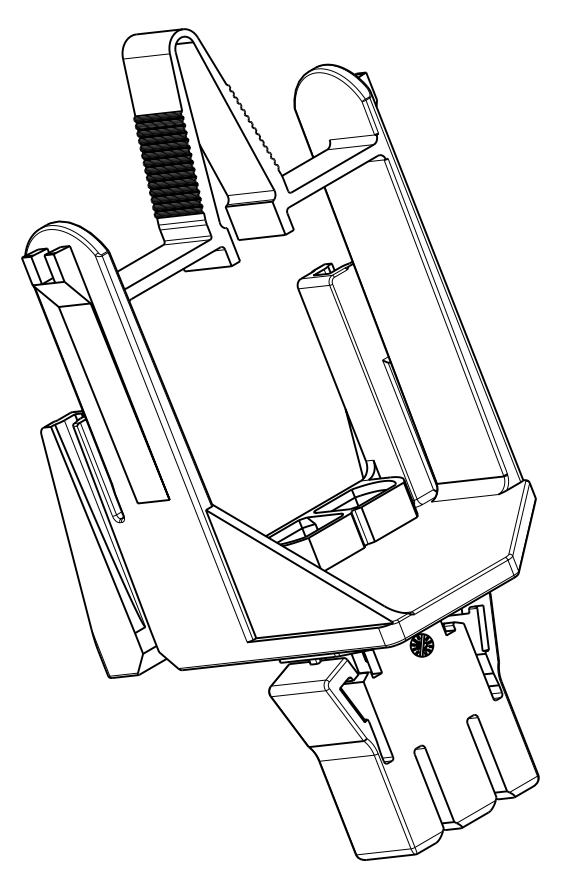
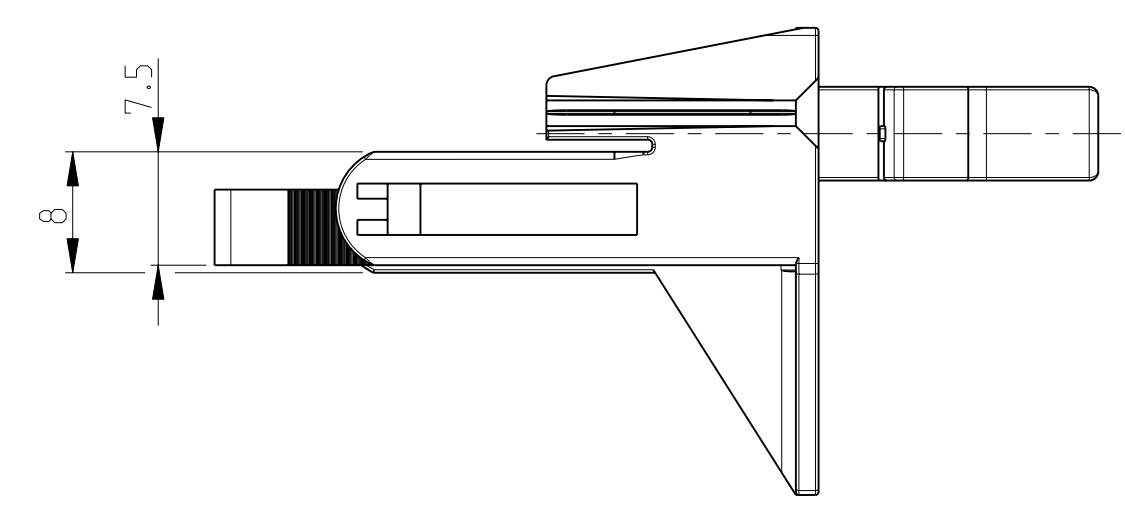
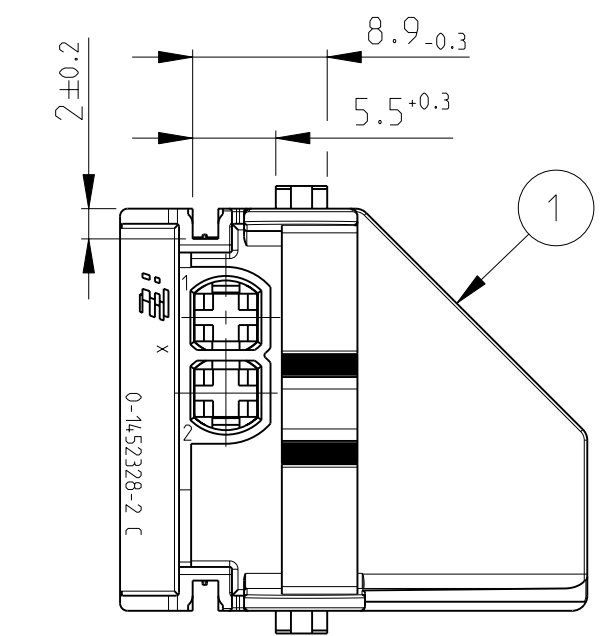
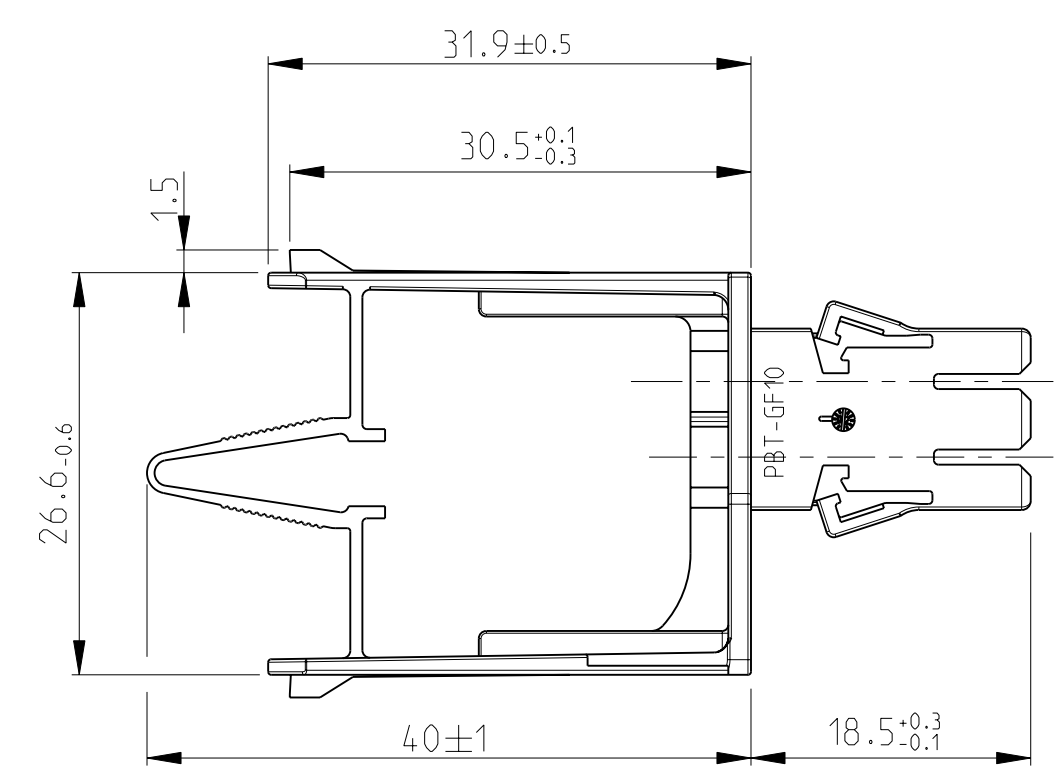
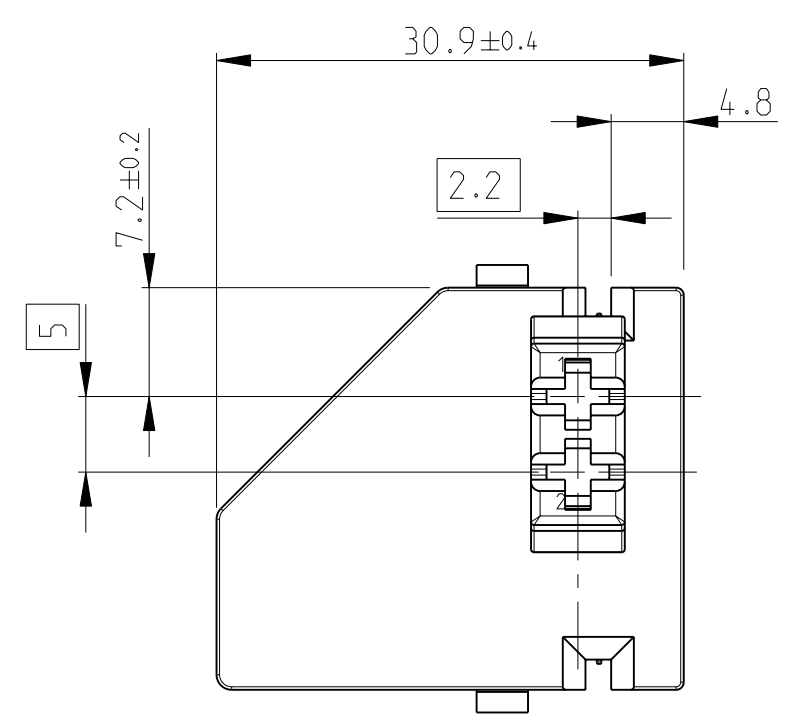


THIS DRAWING IS UNPUBLISHED. RELEASED FOR PUBLICATION 2000
 © COPYRIGHT 2000 ALL RIGHTS RESERVED.

LOC		DIST		REVISIONS			
P	LTR	DESCRIPTION	DATE	DWN	APVD		
A1	-	C	NEW DRAWING	01DEC2011	SH	KR	



-2 AS SHOWN
wie gezeichnet

NOTES:
Bemerkungen:
1 INTERFACE SPEC. SEE BROSE NORM BN 590011-XXX / BN 590025-XXX
Anschlusskragen Spec.: Brose Norm BN 590011-XXX / BN 590025-xxx

APPLICABLE TIN CONTACTS Einsetzbare verzinnete Kontakte	
WIRE SIZE Leiterquerschnitt	TE : PN
0.5-1 mm ²	TE: 0-927771-1
1-2.5 mm ²	TE: 0-927768-1

TE PART NR.	MATERIAL	COLOR	DESCRIPTION	ITEM NR.
0-1452328-2	PBT-GF15	BLACK	2 POS. SOCKET HOUSING JPT	1

THIS DRAWING IS A CONTROLLED DOCUMENT.		DWN SHREESHAIL.H 01DEC2011	TE Connectivity	
DIMENSIONS: mm		CHK K.RQTH 01DEC2011		
TOLERANCES UNLESS OTHERWISE SPECIFIED:		APVD G.MUMPER 01DEC2011	NAME 2 POS. SOCKET HOUSING, JPT, RIGHT 2POLIGES BUCHSENGEHAEUSE, JPT, RECHTS	
		PRODUCT SPEC	SIZE A2	
MATERIAL SEE TABLE		APPLICATION SPEC 114-18540-1	CAGE CODE 00779	DRAWING NO 1452328
		WEIGHT	RESTRICTED TO	
		CUSTOMER DRAWING	SCALE 2:1	SHEET 1 OF 1