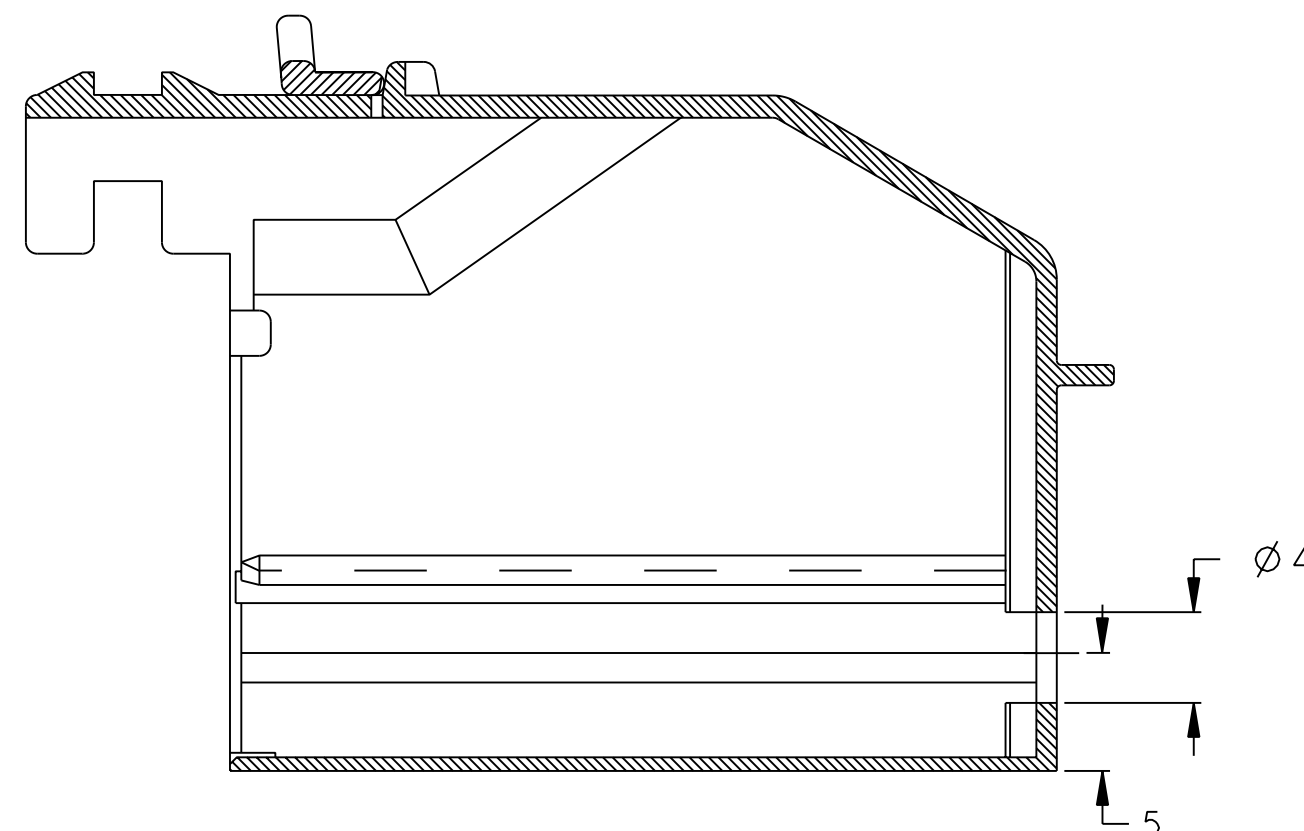
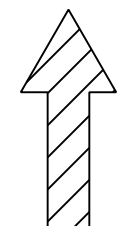
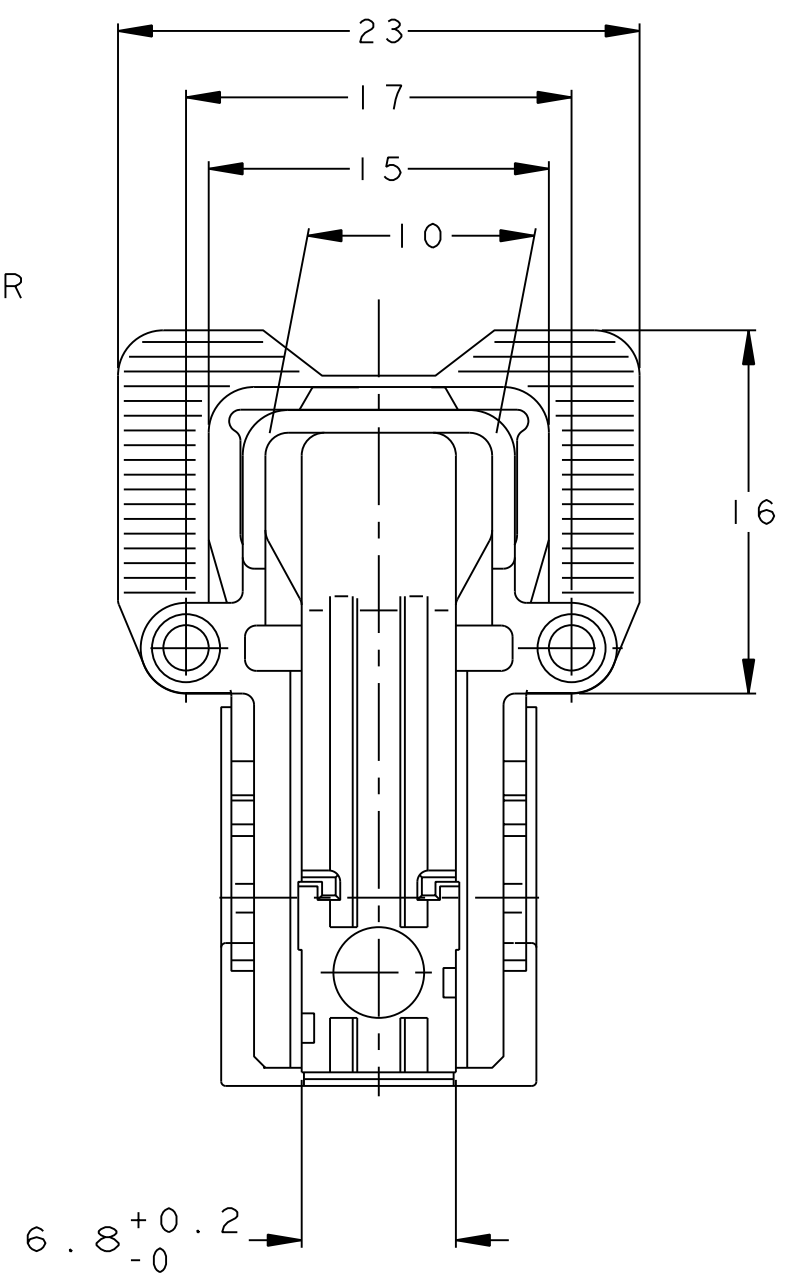
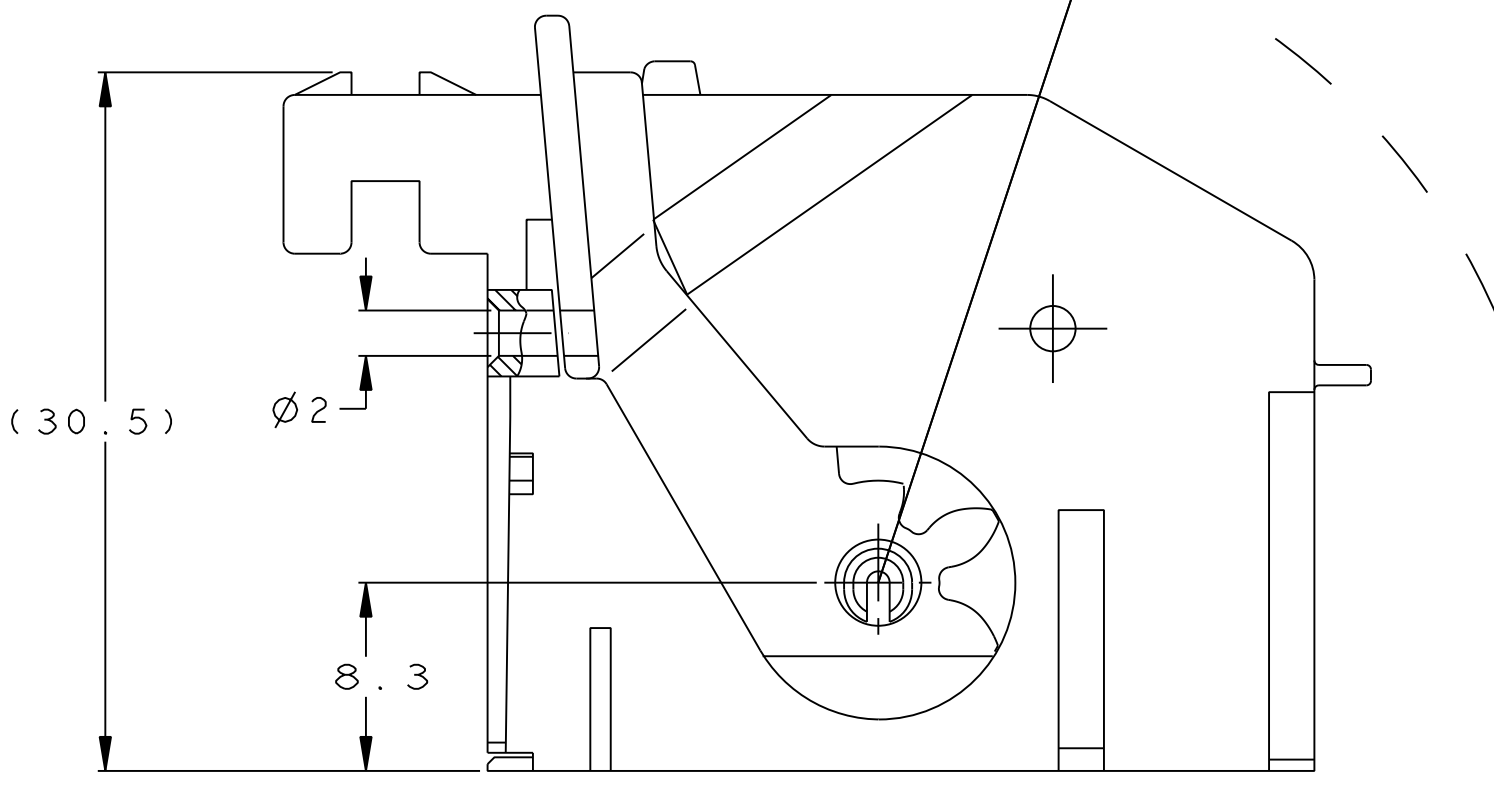


LOC	DIST	REVISIONS				
F	00	REV	DESCRIPTION	DATE	DWN	APVD
		A	MISE A JOUR	08SEP1994	DE	-
		B	MISE A JOUR	08NOV1994	DE	-
		C	MODIFICATION PLOT DE VERROUILLAGE LEVIER	26MAY1998	MP	JL
		D	MISE A JOUR	08NOV2010	EC	XR

SECTION / COUPE A-A

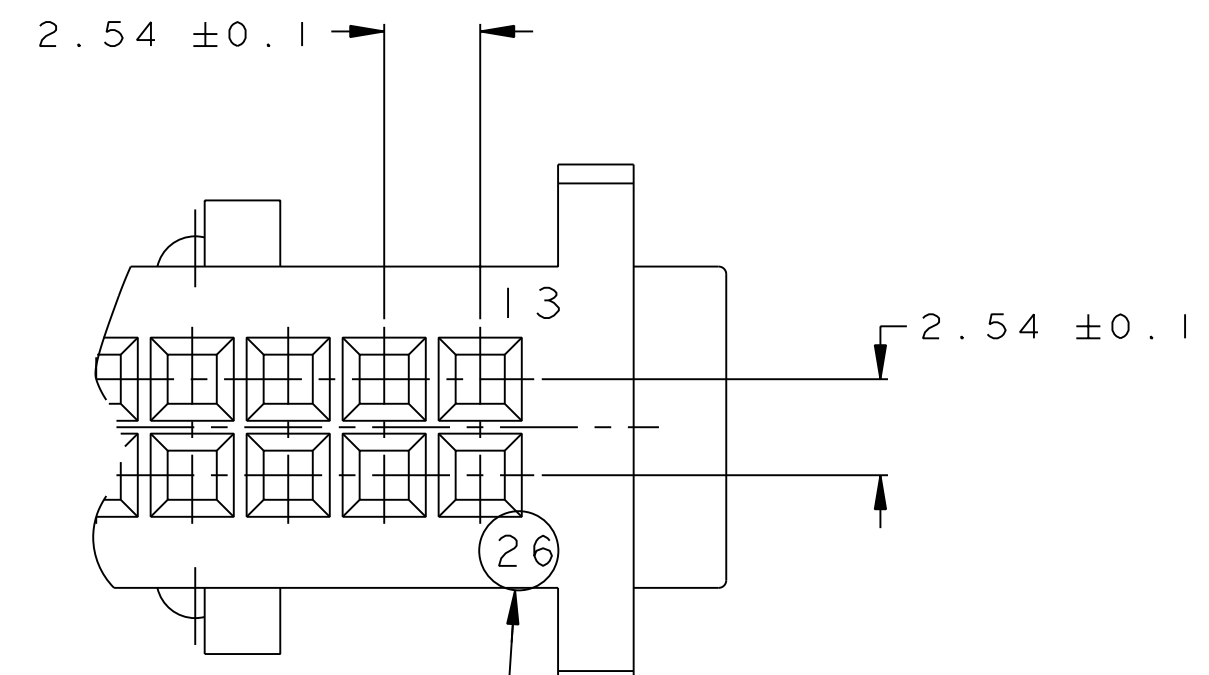


R 29.8 MAX
LEVER OVERALL DIMENSION
ENCOMBREMENT DU LEVIER

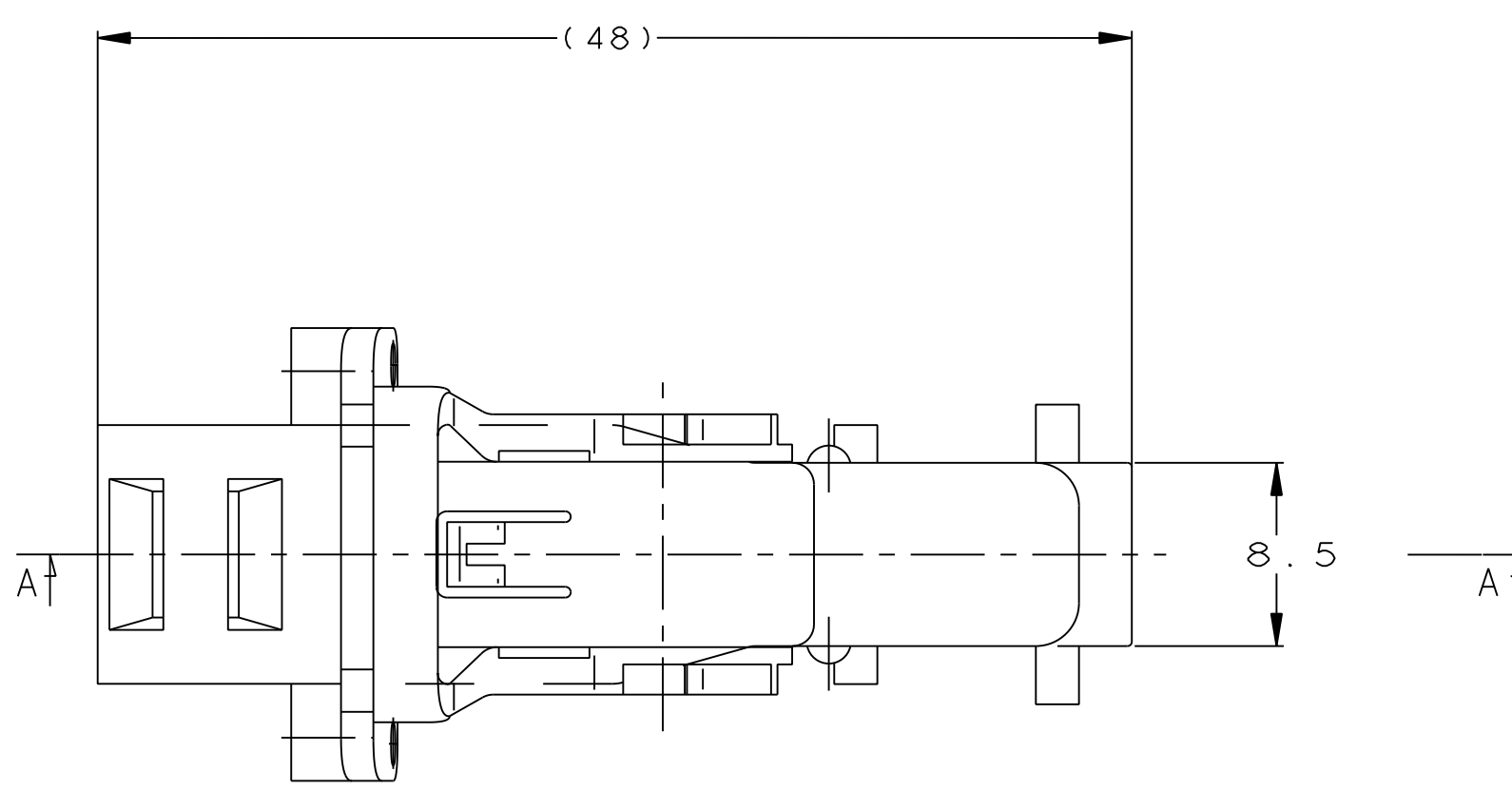


VIEW / VUE X

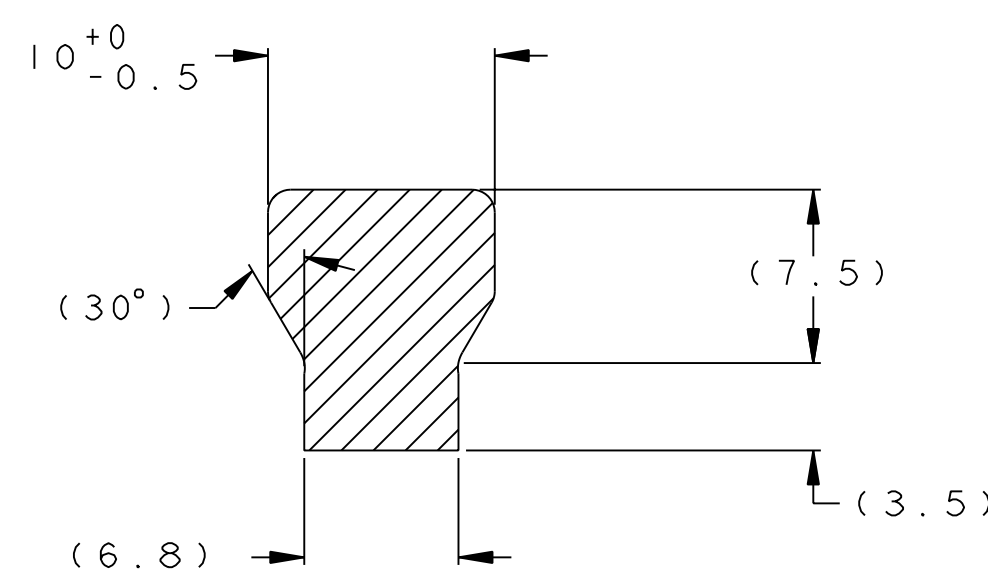
VIEW / VUE X
SCALE / ECHELLE 5:1



CIRCUIT CAVITY MARKING
MARQUAGE DES VOIES



HARNESS OUTPUT AREA
ZONE DE SORTIE DU TORON



	144934-2	BLUE
	144934-1	JAUNE
KEYING DETROMPAGE	TE PART NUMBER REF PRODUIT TE	COLOR COULEUR

144934-1 AS SHOWN / REPRESENTE

<small>THIS DRAWING IS UNPUBLISHED. IT IS SUBJECT TO CHANGE WITHOUT NOTICE AND IS NOT TO BE REPRODUCED OR TRANSMITTED IN ANY FORM OR BY ANY MEANS, ELECTRONIC OR MECHANICAL, INCLUDING PHOTOCOPYING, RECORDING, OR BY ANY INFORMATION STORAGE AND RETRIEVAL SYSTEM. ALL RIGHTS RESERVED.</small>		DWN/DESINE D. ELISEI 10NOV1993	Tyco Electronics France SAS 95300 Pantouze, France
<small>TOLEANCES, UNLESS OTHERWISE SPECIFIED:</small> DIMENSIONS: mm TOLERANCES: UNLESS OTHERWISE SPECIFIED: DIMENSIONS: mm FRACTIONS: 1/16"		CHK/VERIFIE M. POLIFONTE 10JUN1998	APVD/APPROUVE J.J. DE VILL 10JUN1998
MATERIAL MATERIE PBT-GE20 PBT 20% FV		NAME/TITRE ASSEMBLY-SHIELD FOR MQS-26 POS ASSEMBLAGE PORTE-CLIPS MQS 26 VOIES	SIZE A1
FINISH -		APPLICATION SPEC -	CAGE CODE 100779
WEIGHT MASSE APPROX. -		CUSTOMER DRAWING /PLAN CLIENT	DRAWING NO 144934
UNIDUMENT POUR REFERENCE		SCALE ECHELLE 3:1	SHEET FEUILLE 1 OF 1
RESTRICTED TO RESERVE A		REV D	