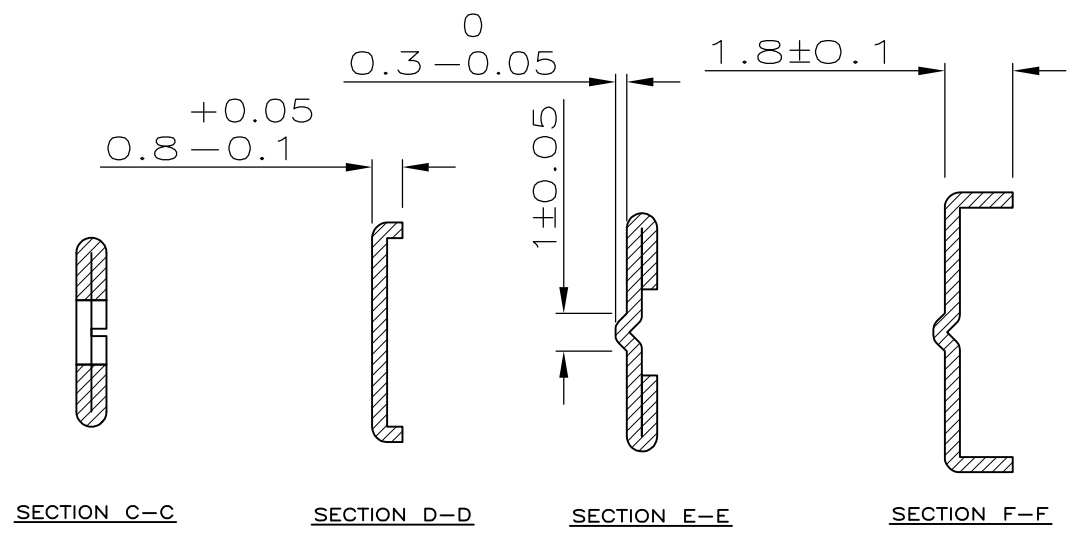
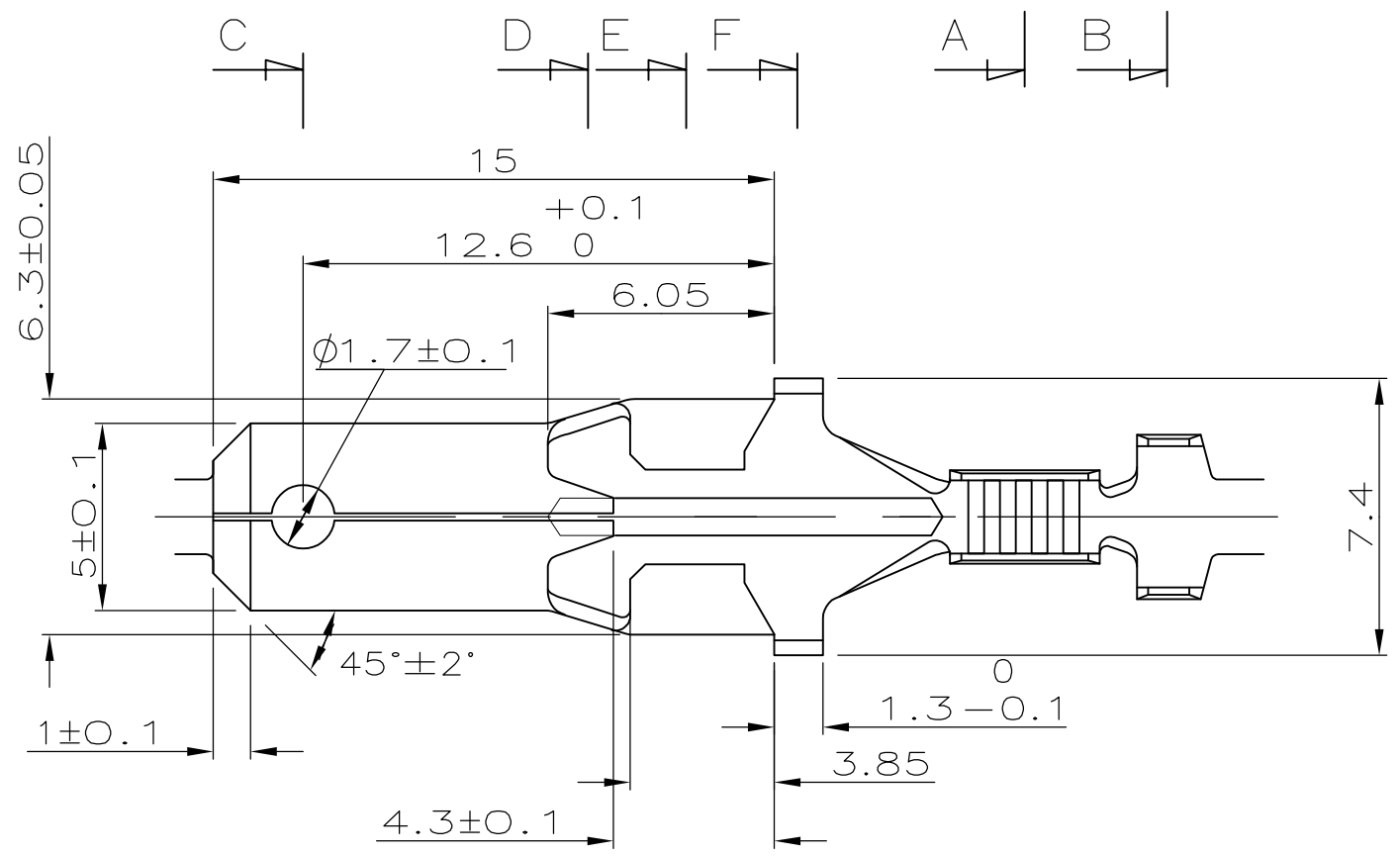
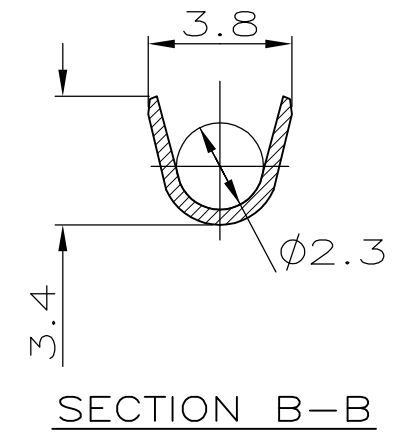
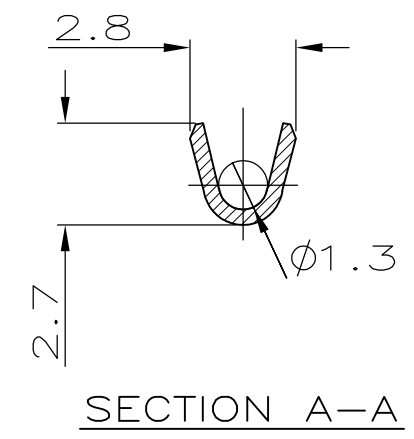
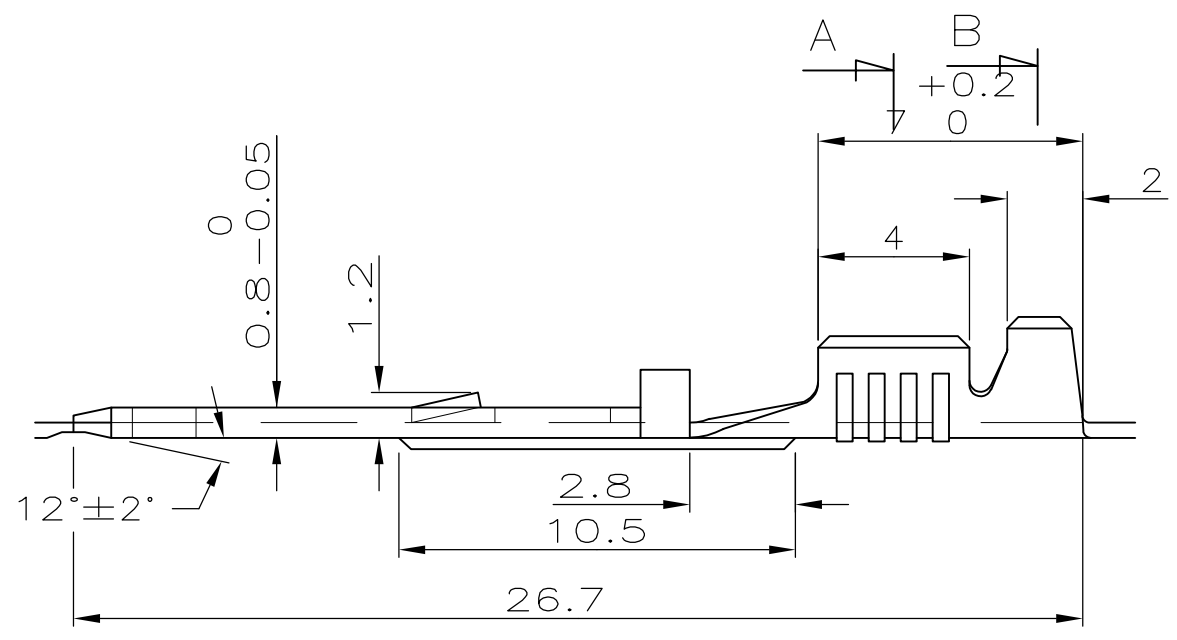


THIS DRAWING IS UNPUBLISHED. RELEASED FOR PUBLICATION
 © COPYRIGHT - By - ALL RIGHTS RESERVED.

REVISIONS					
P	LTR	DESCRIPTION	DATE	DWN	APVD
E		REVISED PER ECR-17-005232	11APR2017	BW	GG



PRE ETAME (PRE TIN)	144838-2
BRUT (PLAIN)	144838-1
FINITION (FINISH)	REFERENCE

THIS DRAWING IS A CONTROLLED DOCUMENT.		DWN J CJ	11/05/93	STE TE Connectivity	
DIMENSIONS: mm		CHK -	APVD -		
TOLERANCES UNLESS OTHERWISE SPECIFIED:		PRODUCT SPEC		LANG. DE 5 POUR BOITIER DBL. VERR. (TAB 5mm FOR DBL. LOCKING HOUSING)	
0 PLC ± 0.3		APPLICATION SPEC		SIZE	CAGE CODE
1 PLC ± -		WEIGHT		A3	00779
2 PLC ± -		CUSTOMER DRAWING		DRAWING NO	C-144838
3 PLC ± -		SCALE 5:1		SHEET	1 OF 1
4 PLC ± -		RESTRICTED TO		REV	E
ANGLES ± 5'		SCALE 5:1		SHEET 1 OF 1	
MATERIAL LAITON UZ15 EP. 0.4 (BRASS UZ15 0.4 THK)		FINISH -		REV E	

DIMENS. FIL 0.25 TO 1mm
 ISOLANT 1.3 x 2.1