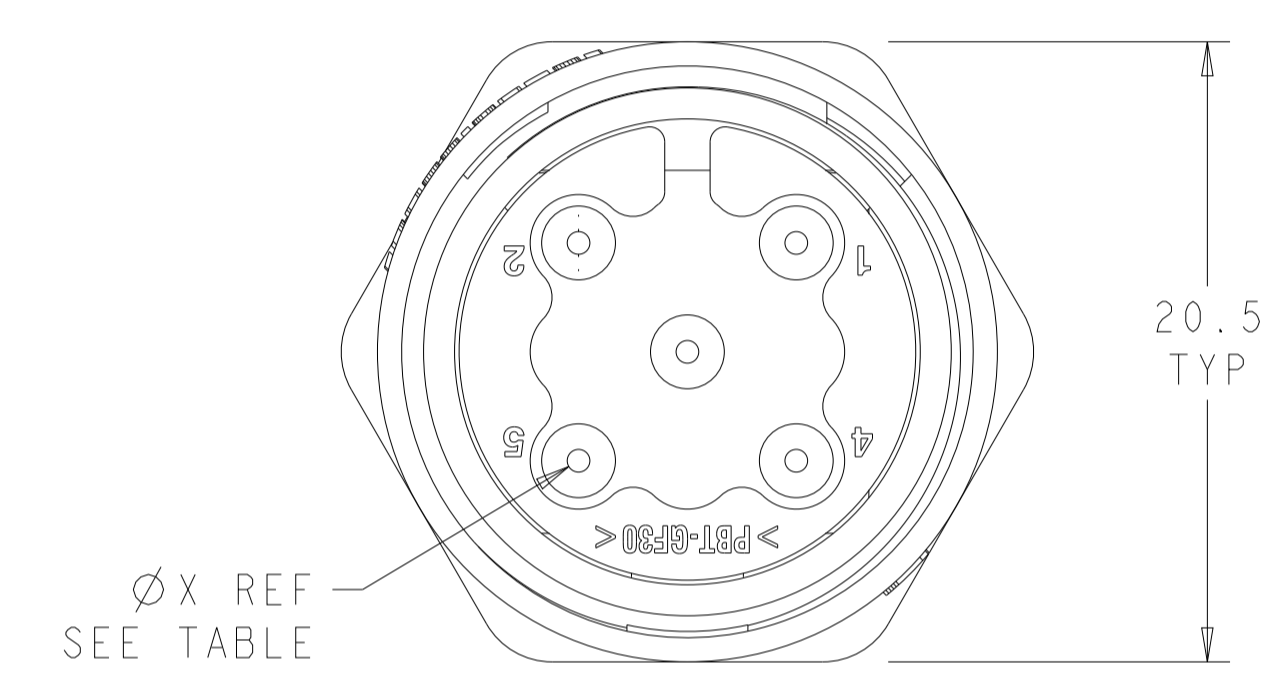
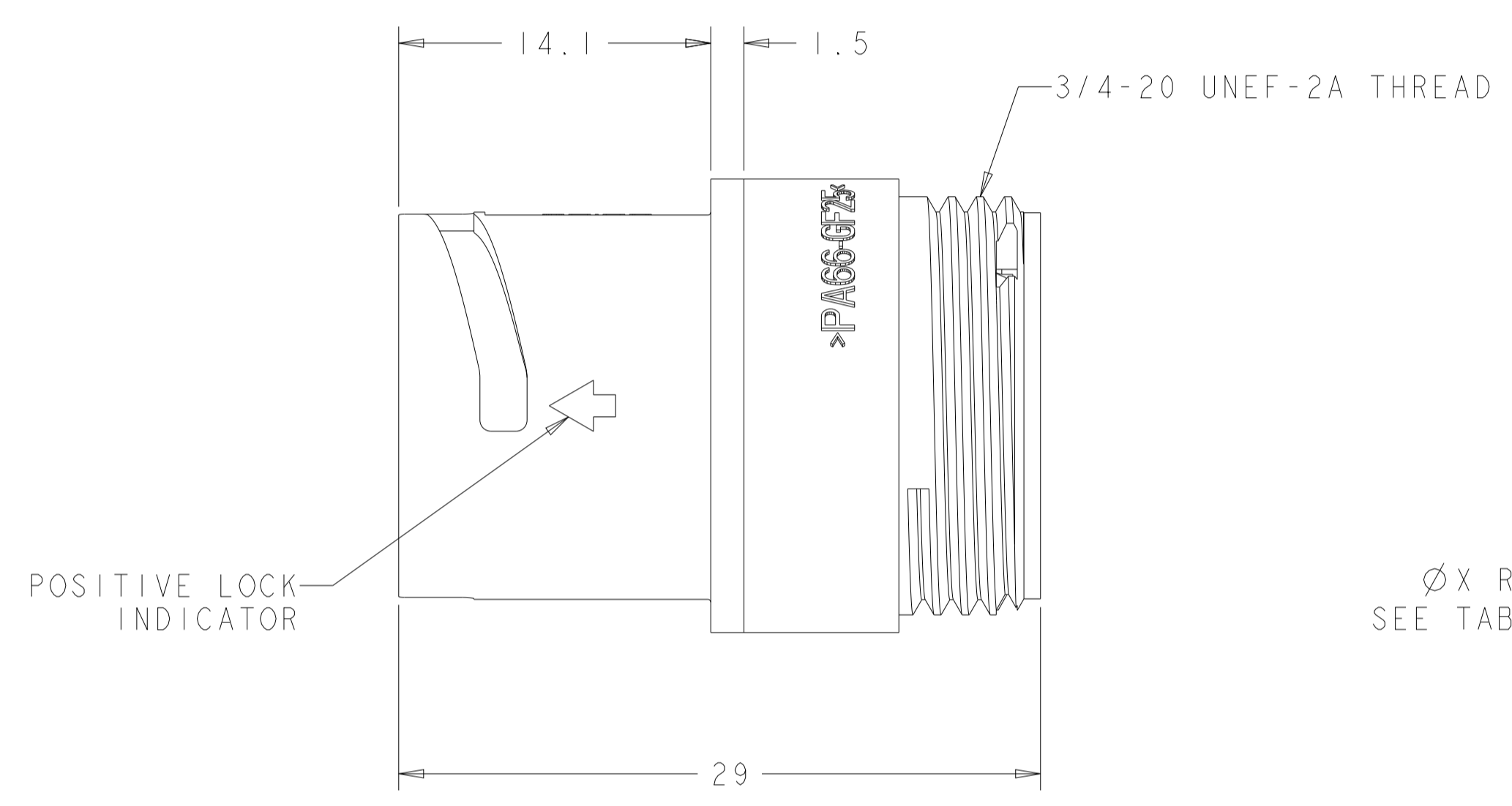
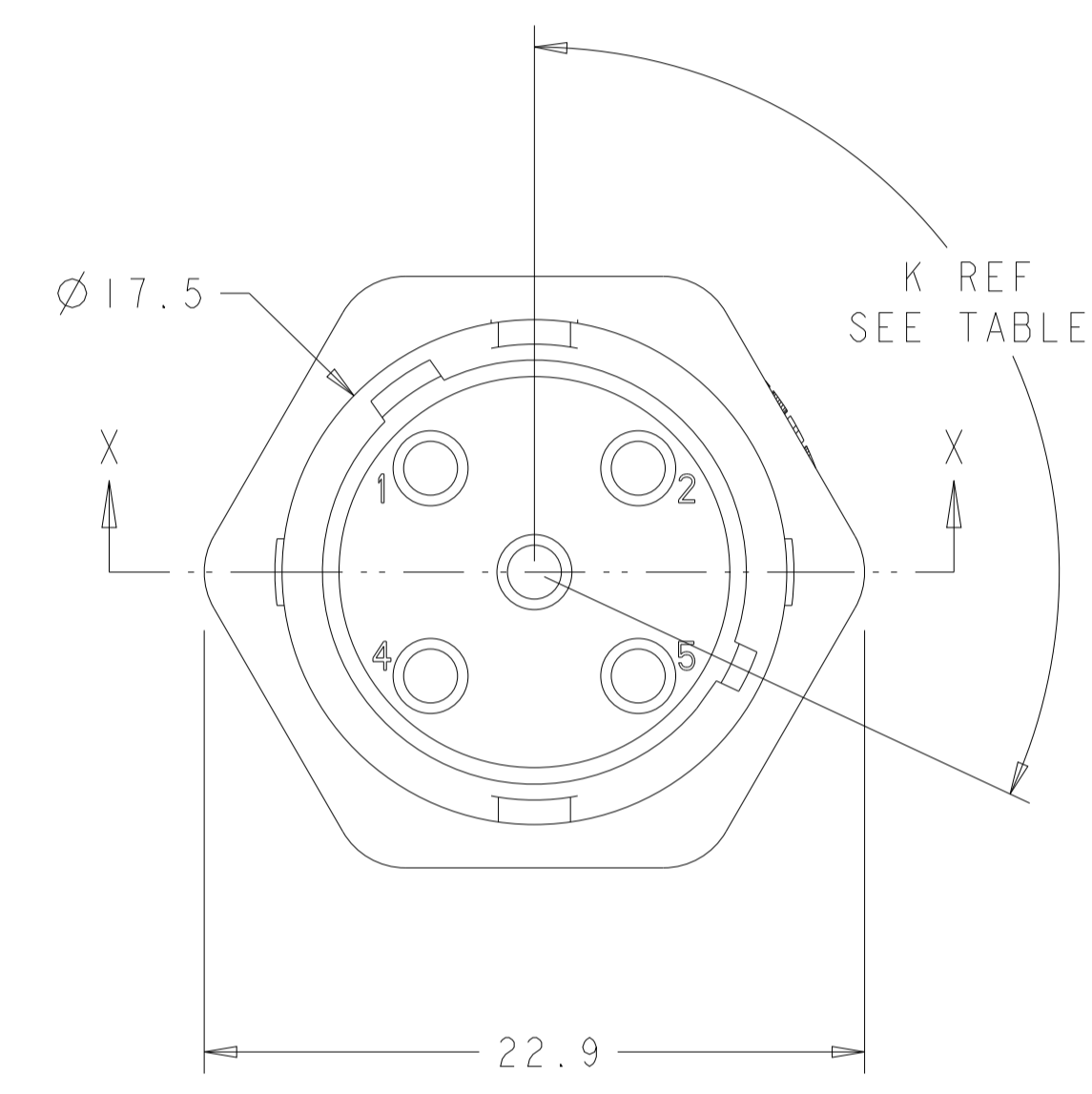
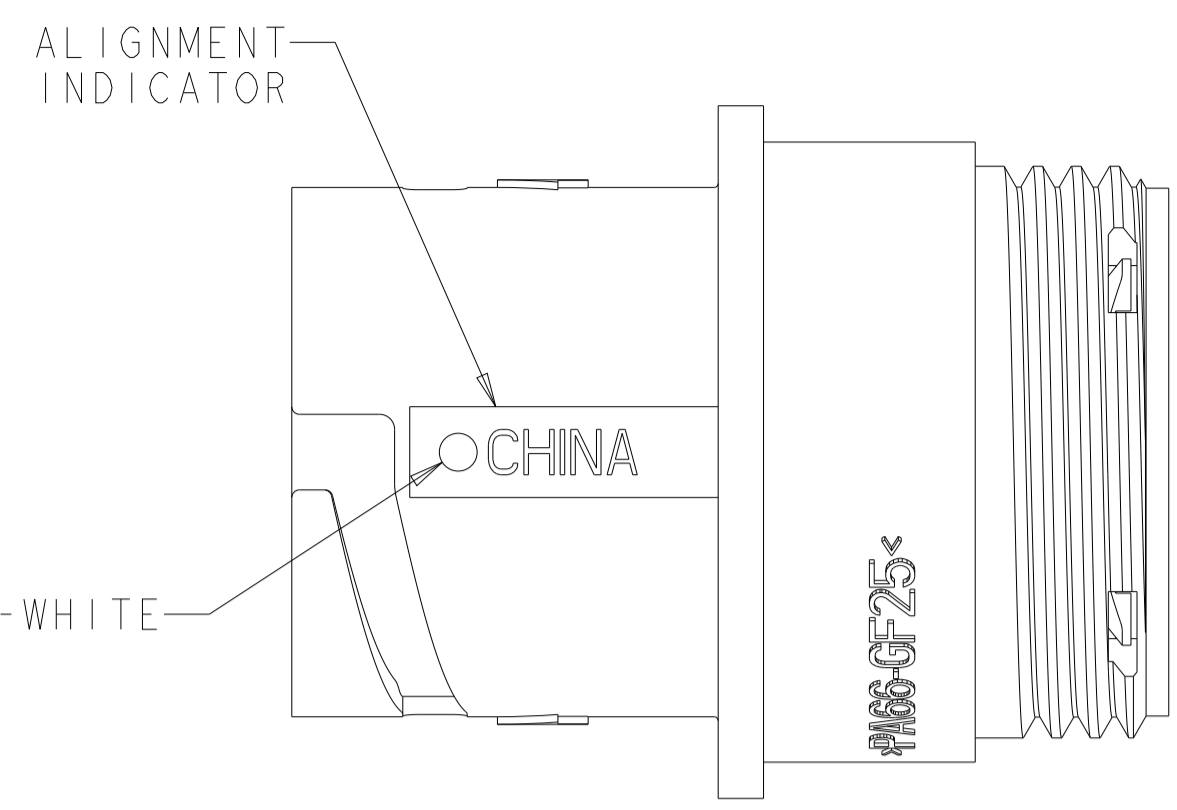
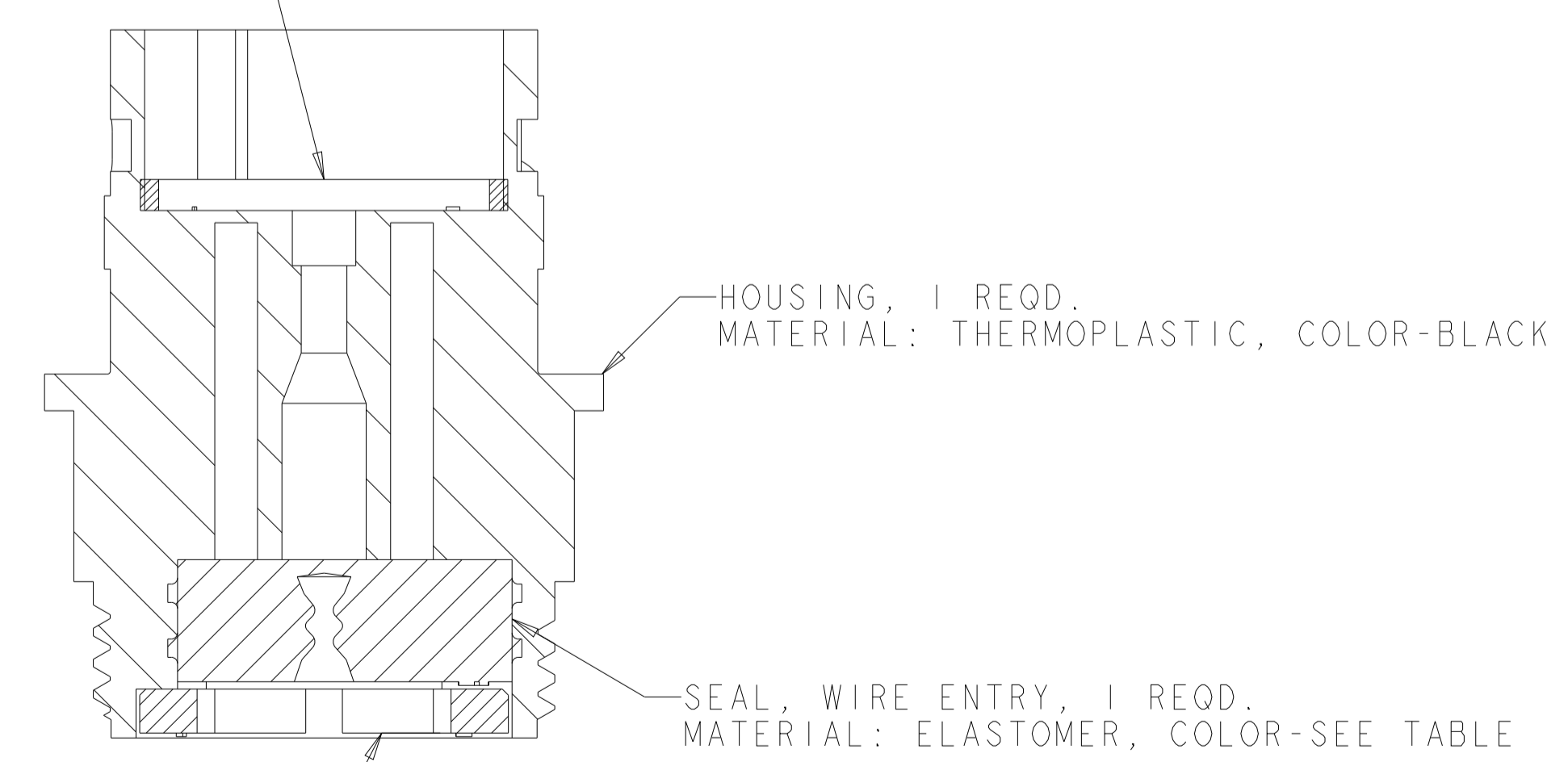


REVISIONS				
P	LTN	DESCRIPTION	DATE	APVD
	D	REVISED PER ECN-22-136865	01FEB2022	RK MZ



SEAL, PERIPHERAL, 1 REQD.
 MATERIAL: ELASTOMER, COLOR-BLACK



SECTION X-X

OBSELETE	YELLOW	$\phi 0.75$	135°	1445829-04
	NATURAL	$\phi 1.5$	115°	1445829-03
OBSELETE	NATURAL	$\phi 1.5$	135°	1445829-02
	YELLOW	$\phi 0.75$	115°	1445829-01
	SEAL, WIRE ENTRY COLOR	ϕX REF	K REF	PART NUMBER

THIS DRAWING IS A CONTROLLED DOCUMENT.

OWN: SHANE WIESE 23OCT2001
 CHK: G DOUTY 23OCT2001
 APVD: H. WAKEEM 13JUN2003

TE Connectivity

NAME: ASSEMBLY, SIZE 11, 5 POSITION, FREE HANGING, SEALED, MINI CPC

SIZE: A1 CAGE CODE: 100779 DRAWING NO: 1445829

RESTRICTED TO: -

MATERIAL: SEE CALLOUT

WEIGHT: -

CUSTOMER DRAWING

SCALE: 4:1 SHEET 1 OF 1 REV D