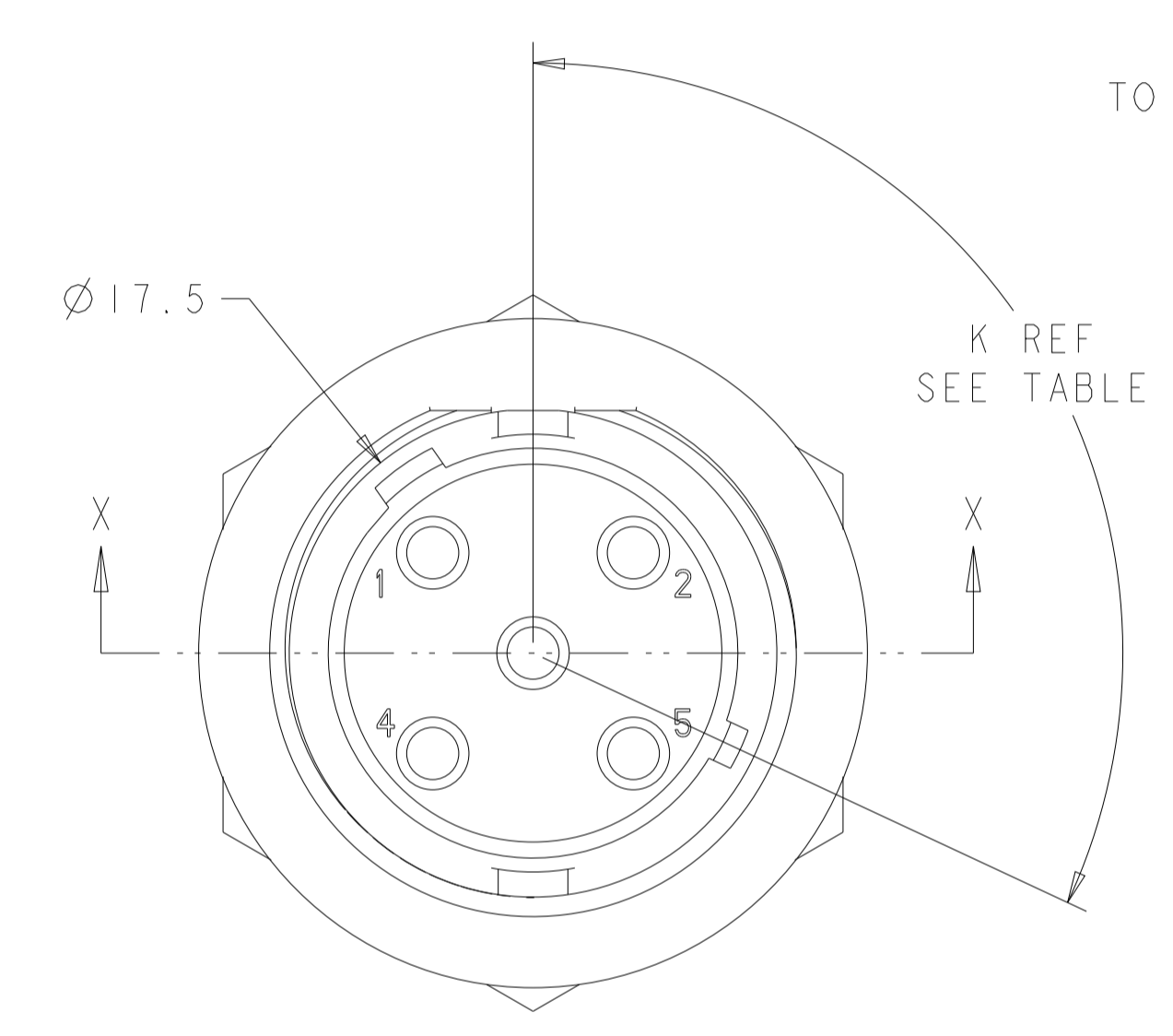
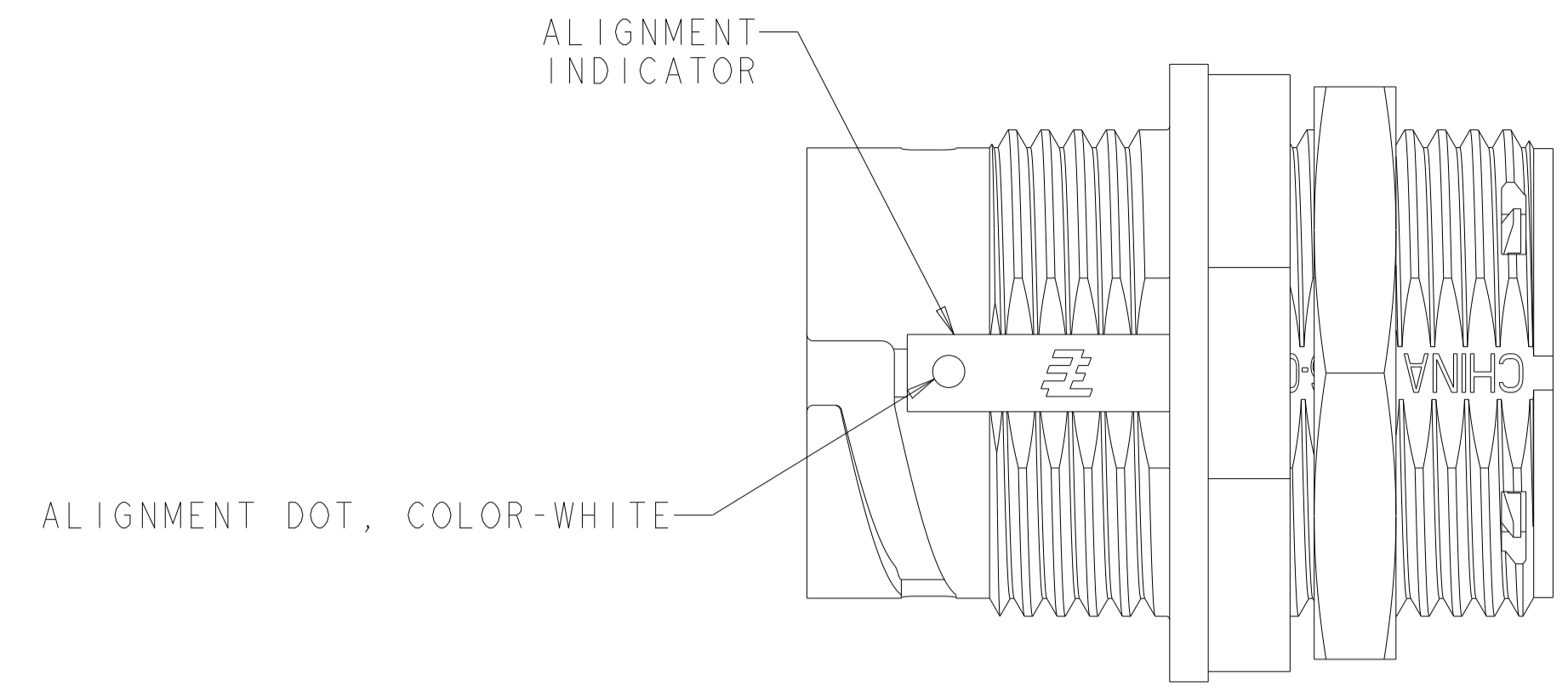
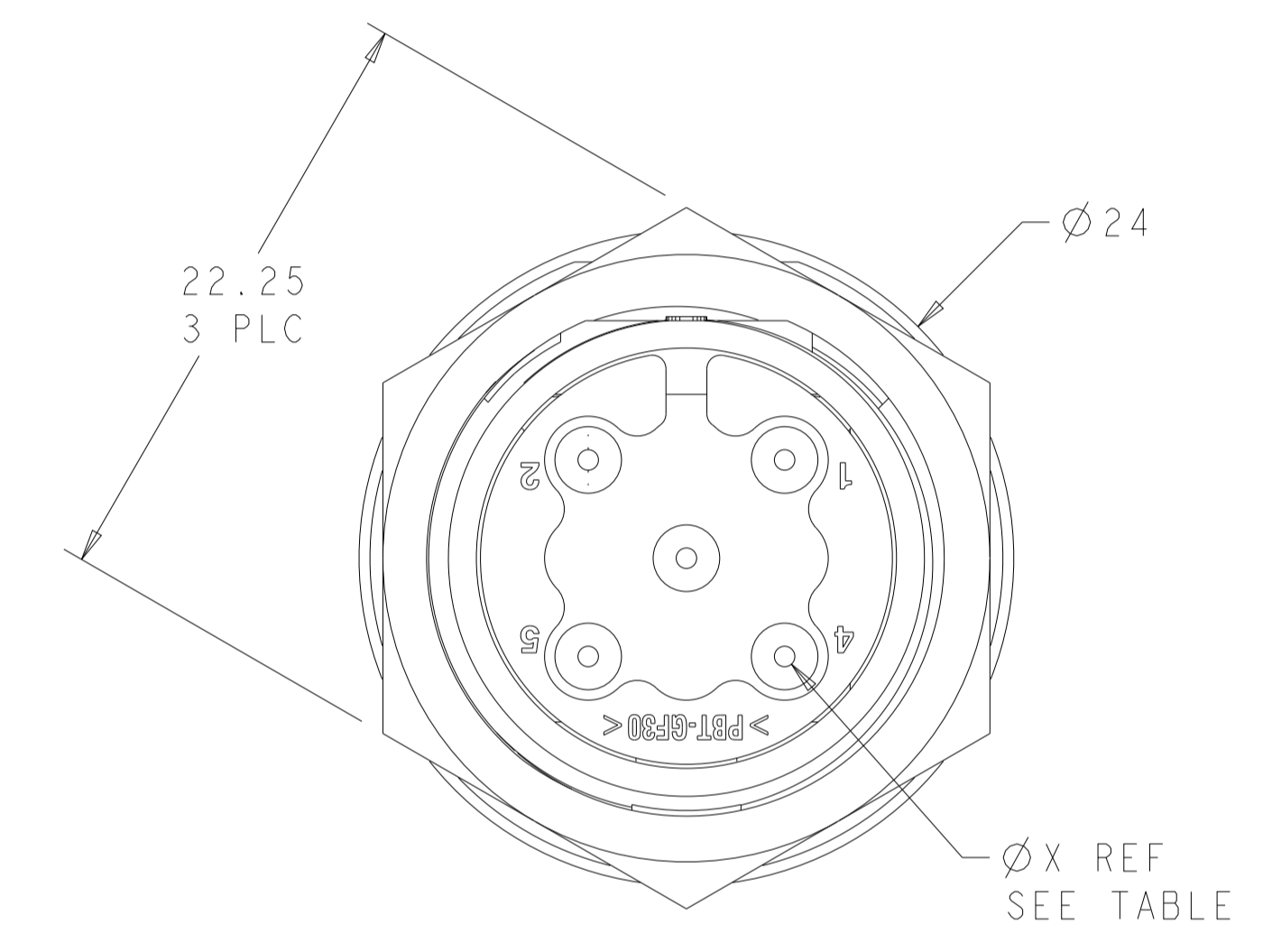
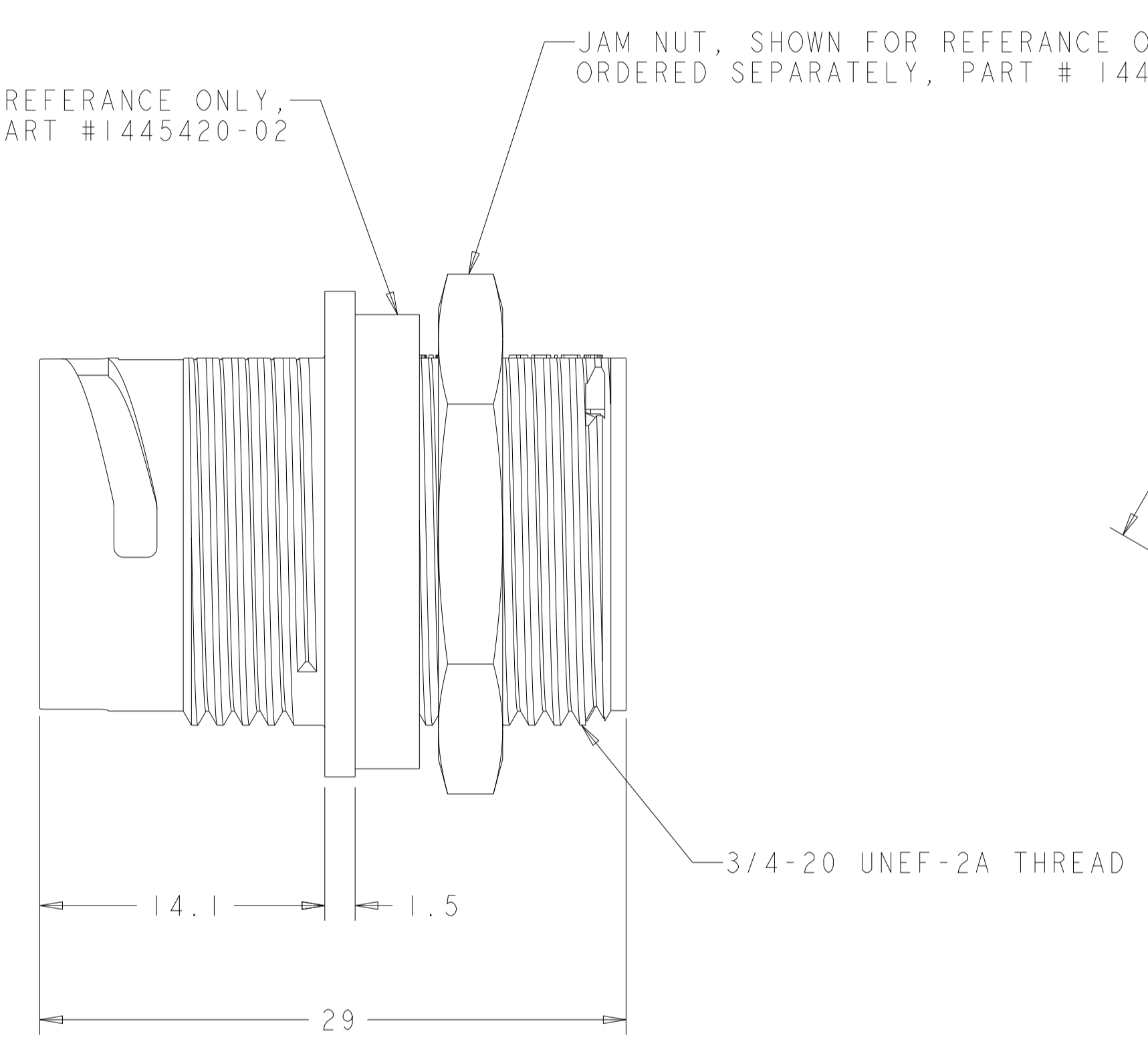


REVISIONS				
P	LTN	DESCRIPTION	DATE	OWN APVD
D		REVISED PER ECN-22-136865	01FEB2022	RK MZ

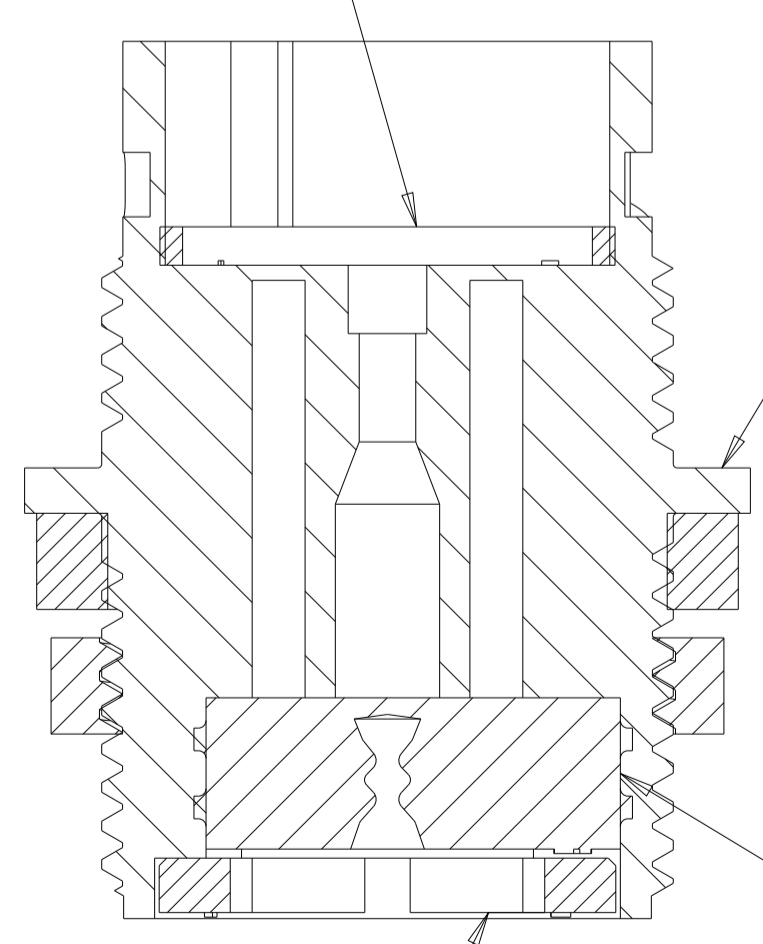


SEAL, PANEL; SHOWN FOR REFERENCE ONLY, TO BE ORDERED SEPARATELY, PART # 1445420-02

JAM NUT, SHOWN FOR REFERENCE ONLY, TO BE ORDERED SEPARATELY, PART # 1445904-1



SEAL, PERIPHERAL, 1 REQD. MATERIAL: ELASTOMER, COLOR-BLACK



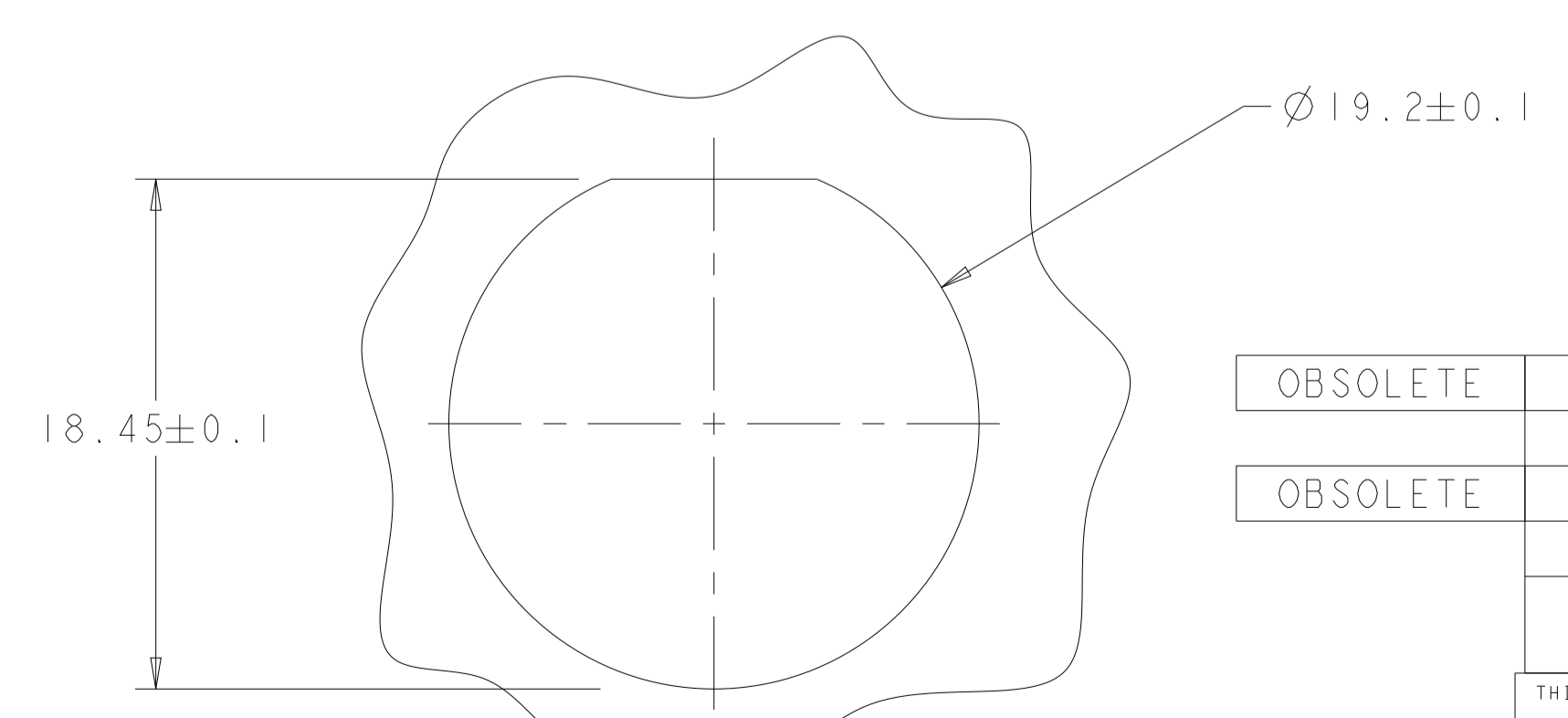
HOUSING, 1 REQD. MATERIAL: THERMOPLASTIC, COLOR-BLACK

SEAL, WIRE ENTRY, 1 REQD. MATERIAL: ELASTOMER, COLOR-SEE TABLE

RETAINER, SEAL, 1 REQD. MATERIAL: THERMOPLASTIC, COLOR-BLACK

SECTION X-X

1. CONNECTOR CAN BE FRONT OR REAR PANEL MOUNTED.
 △ MAX PANEL THICKNESS - 3.18



OBSELETE	YELLOW	Ø 0.75	135°	1445824-04
	NATURAL	Ø 1.5	115°	1445824-03
OBSELETE	NATURAL	Ø 1.5	135°	1445824-02
	YELLOW	Ø 0.75	115°	1445824-01
SEAL, WIRE ENTRY COLOR		Ø X REF	K REF	PART NUMBER

THIS DRAWING IS A CONTROLLED DOCUMENT. DWN SHANE WIESE 15OCT2001
 CHK G DOUTY 15OCT2001

APVD H. WAKEEM 13JUN2003

NAME ASSEMBLY, RECEPTACLE, SIZE 11, 5 POSITION, PANEL MOUNT, SEALED, MINI CPC

SIZE CAGE CODE DRAWING NO. RESTRICTED TO
 A100779C=1445824

MATERIAL SEE CALLOUT FINISH SEE CALLOUT WEIGHT - CUSTOMER DRAWING SCALE 4:1 SHEET 1 OF 1 REV D

TE Connectivity