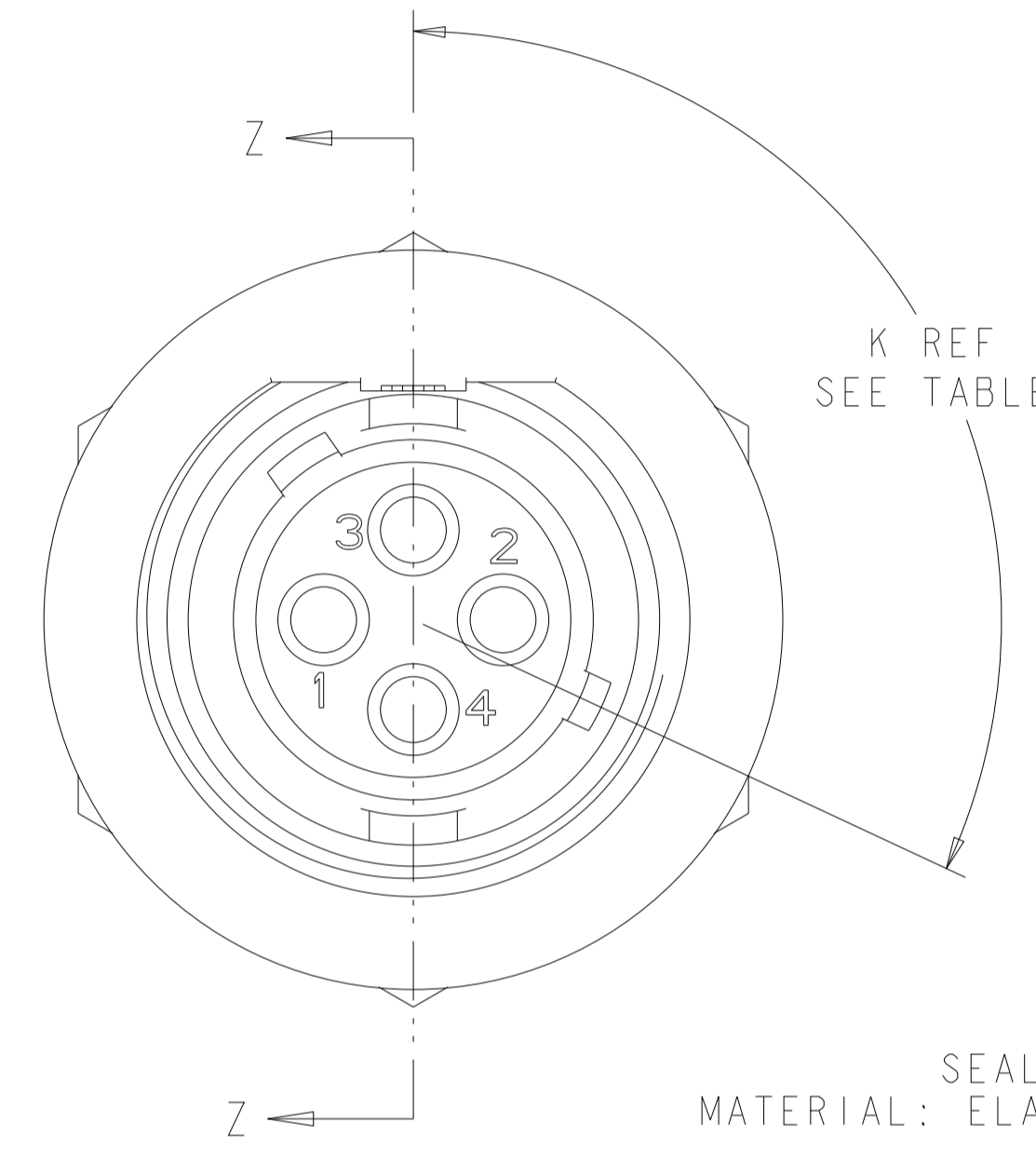
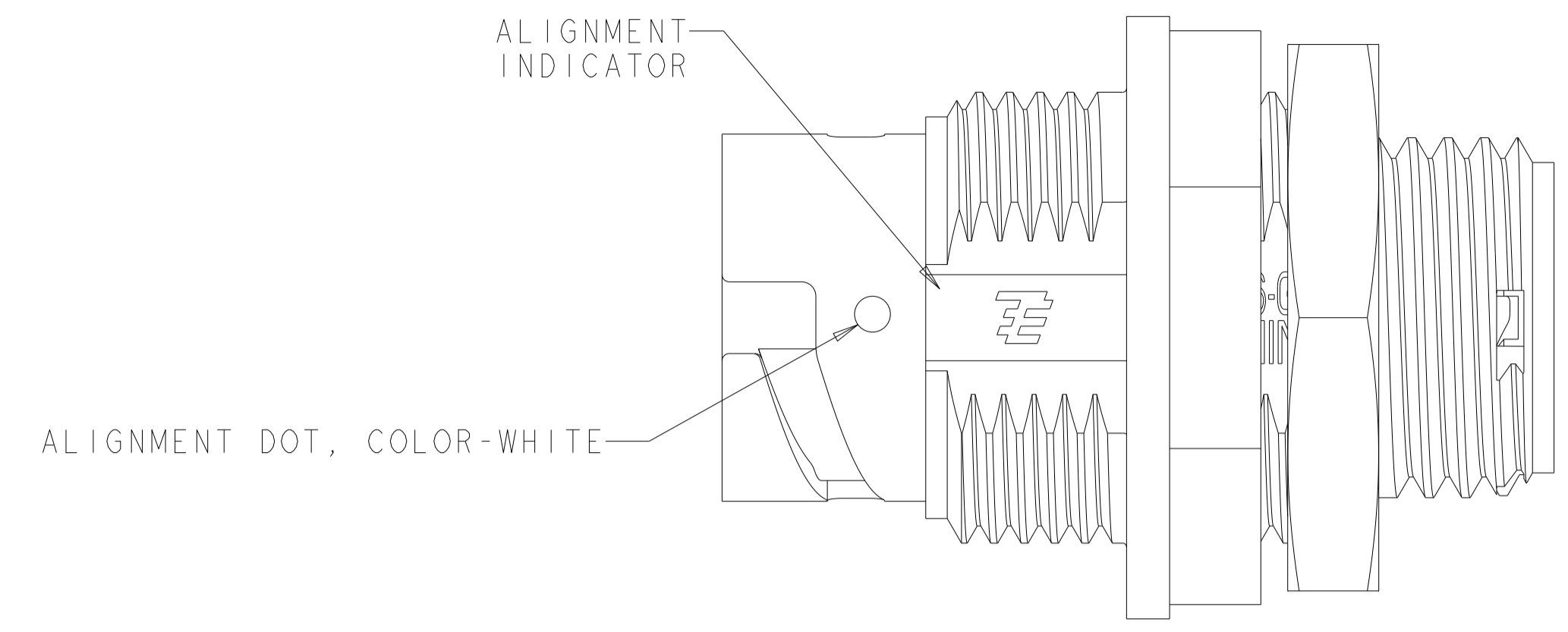
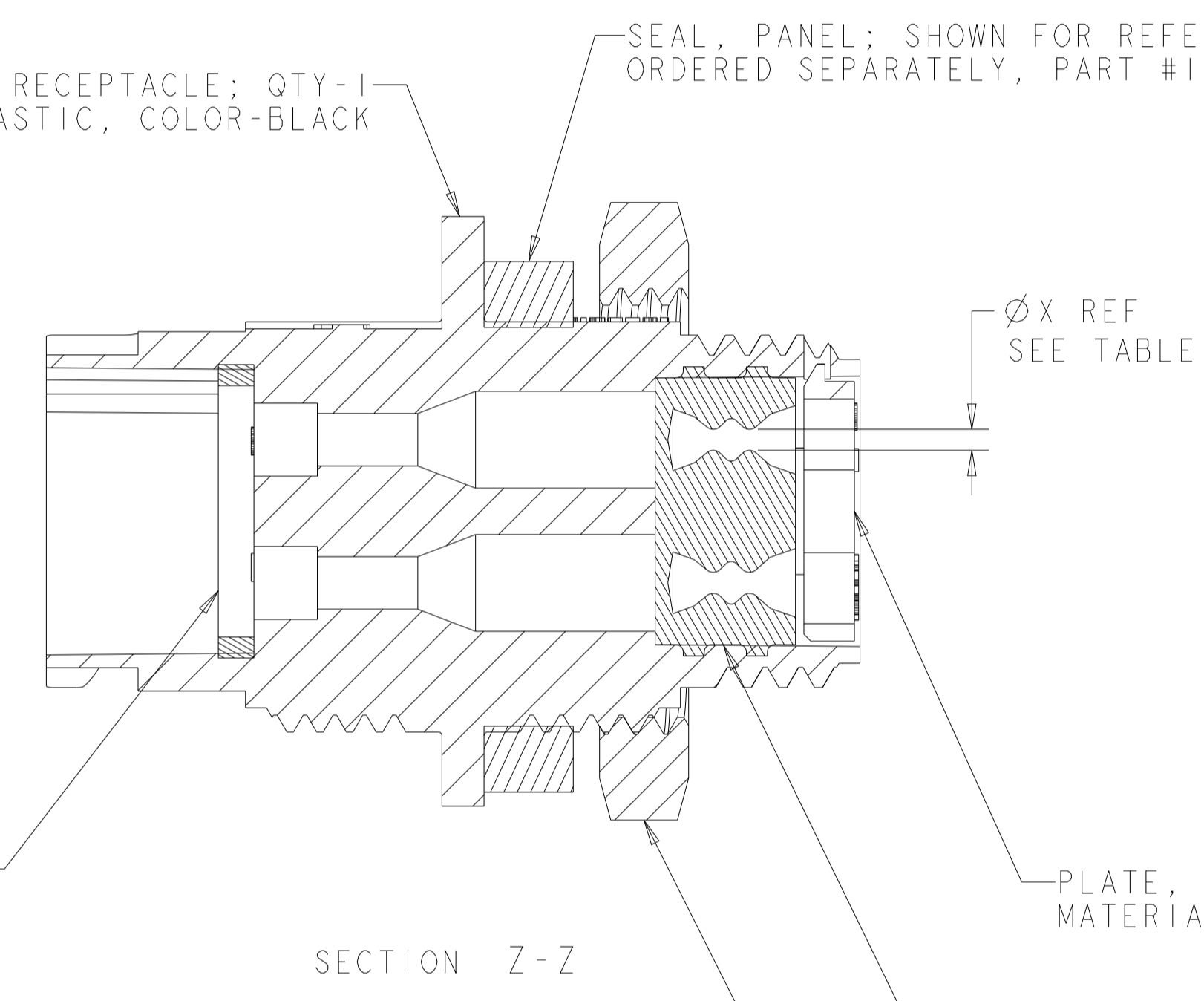


LOC		DIST		REVISIONS			
FT	0	P	LTN	DESCRIPTION	DATE	DWN	APVD
		D		REVISED PER ECN-22-136865	01FEB2022	RK	MZ



HOUSING, RECEPTACLE; QTY-1
 MATERIAL: THERMOPLASTIC, COLOR-BLACK

SEAL, PANEL; SHOWN FOR REFERENCE ONLY, TO BE ORDERED SEPARATELY, PART #1445420-01

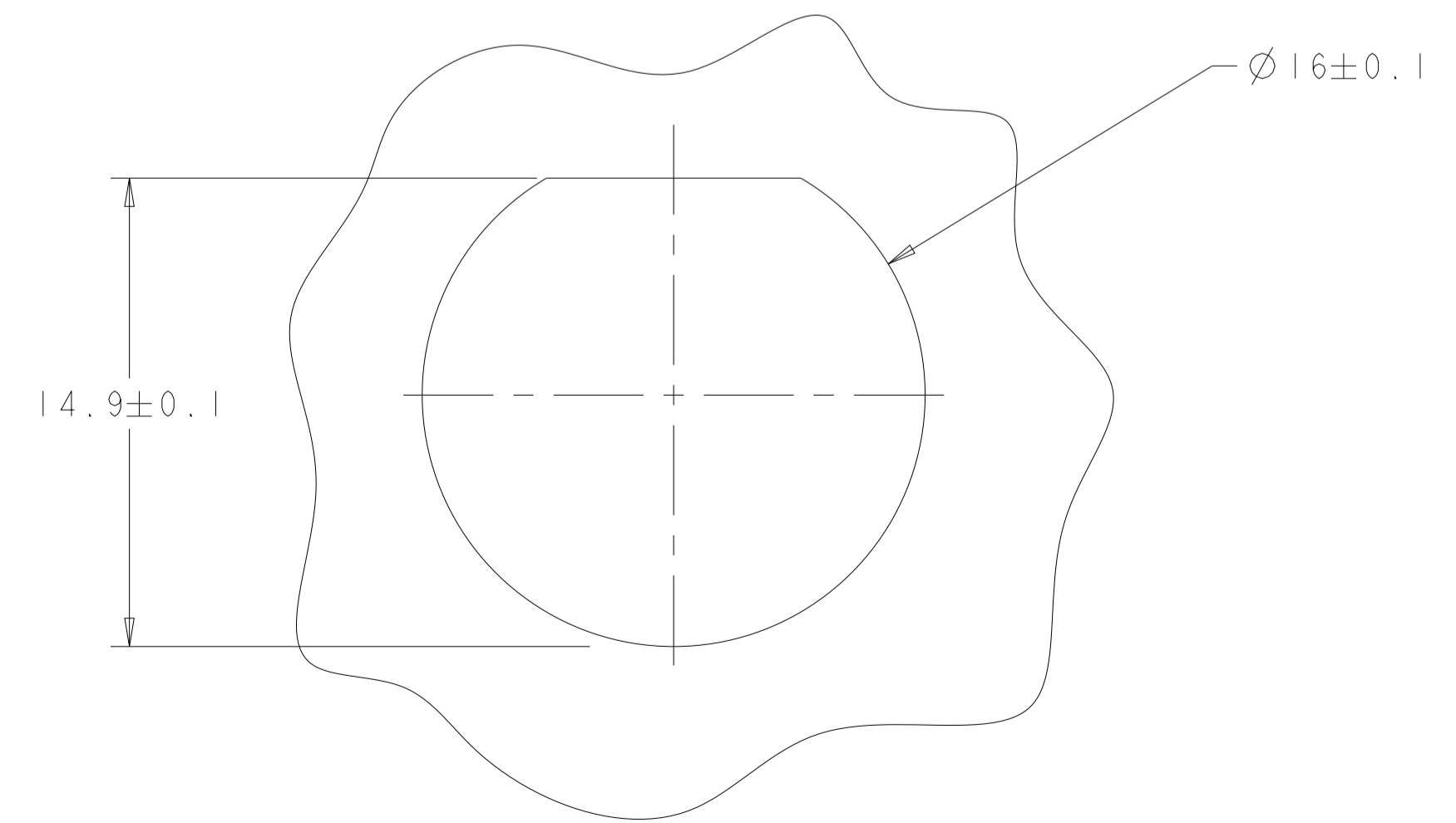
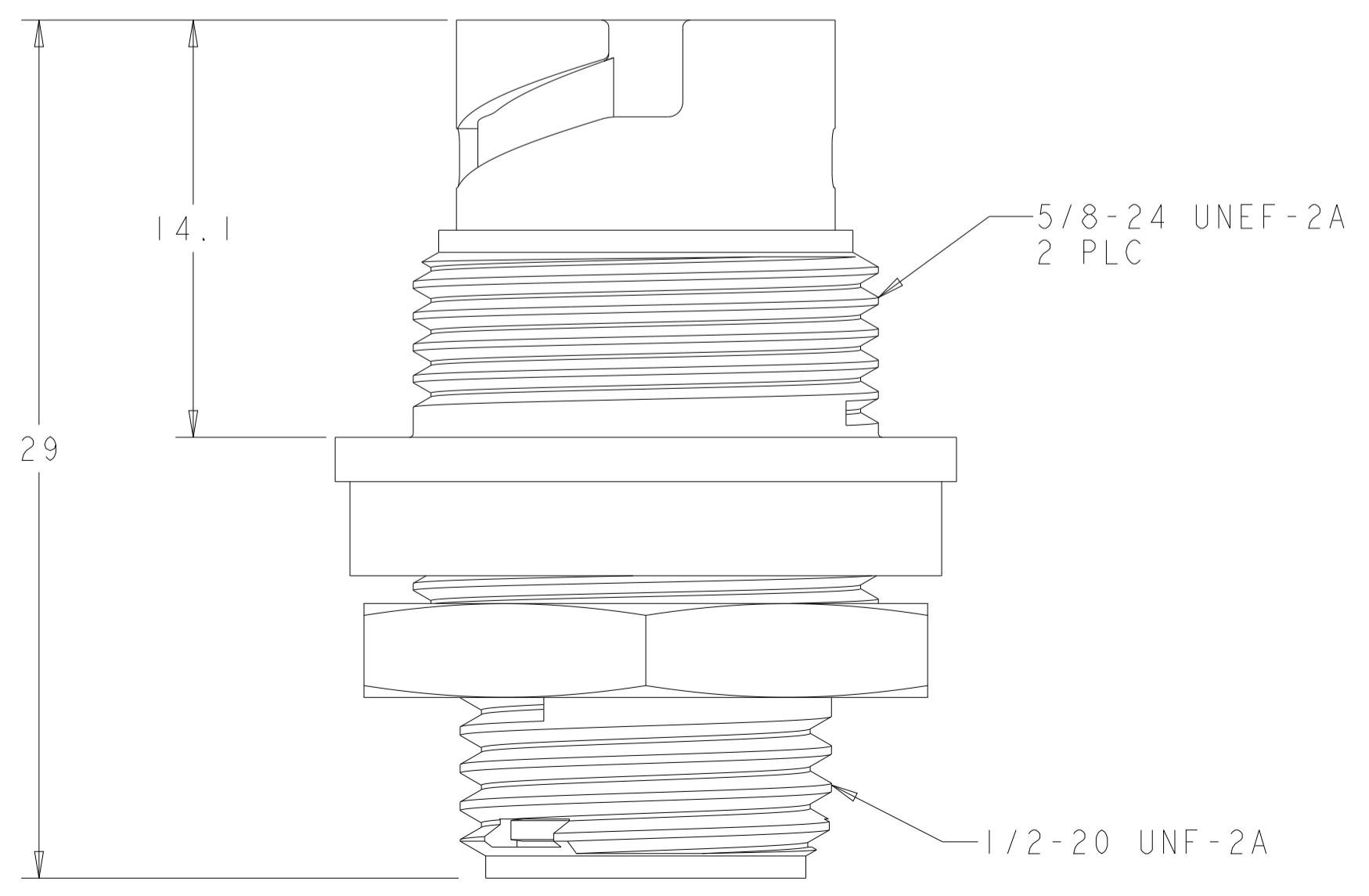
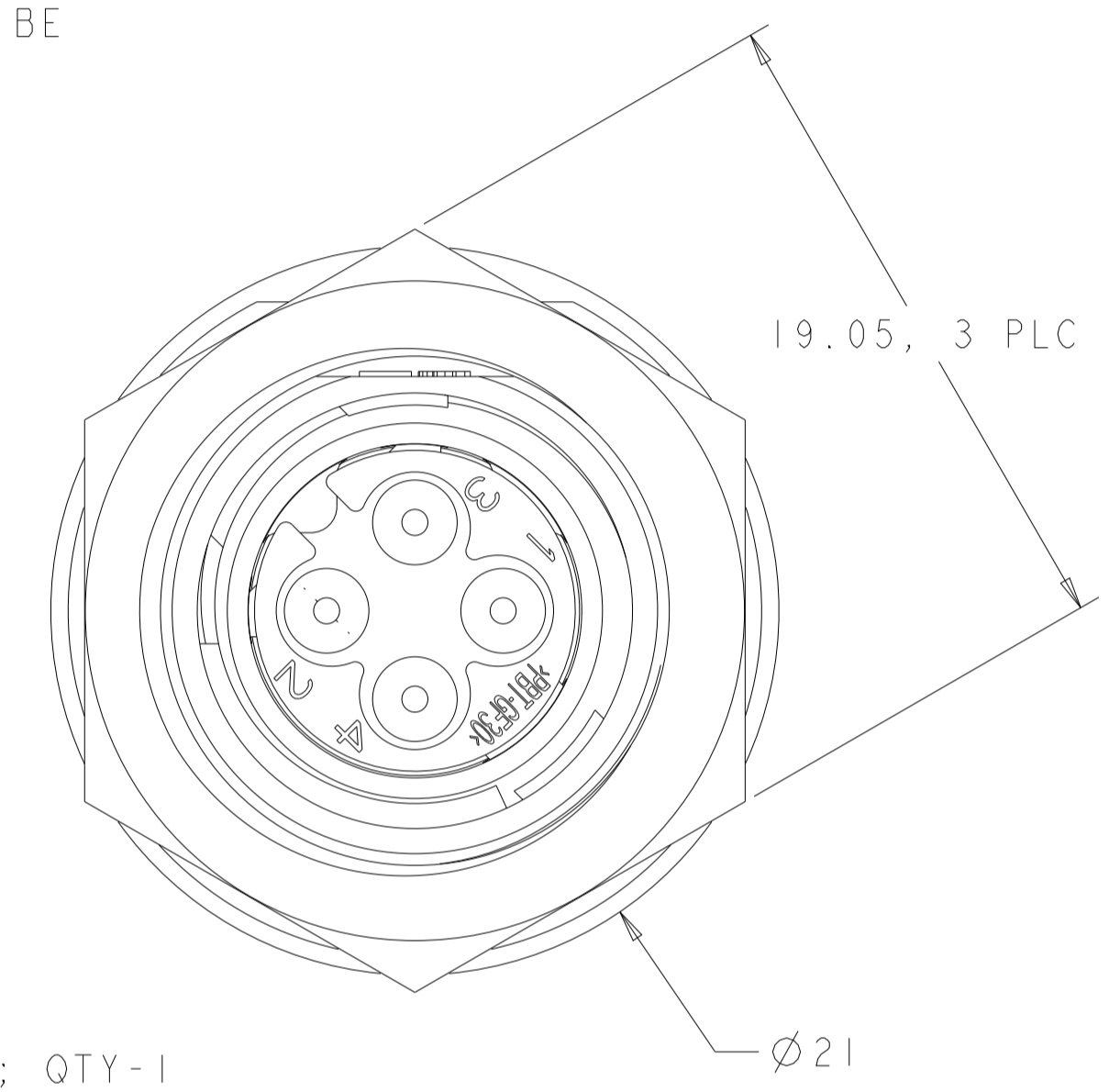


SEAL, PERIPHERAL; QTY-1
 MATERIAL: ELASTOMER, COLOR-BLACK

PLATE, SEAL RETENTION; QTY-1
 MATERIAL: THERMOPLASTIC, COLOR-BLACK

SEAL, WIRE ENTRY; QTY-1
 MATERIAL: ELASTOMER, COLOR-SEE TABLE

NUT, JAM; SHOWN FOR REFERENCE ONLY, TO BE ORDERED SEPARATELY, PART # 1604196-1



SUGGESTED PANEL CUTOUT Δ

1. CONNECTOR CAN BE FRONT OR REAR PANEL MOUNTED.
 Δ MAX PANEL THICKNESS - 3.18.

OBSOLETE	YELLOW	Ø0.75	130°	1445421-04
	NATURAL	Ø1.5	115°	1445421-03
OBSOLETE	NATURAL	Ø1.5	130°	1445421-02
	YELLOW	Ø0.75	115°	1445421-01
	SEAL, WIRE ENTRY COLOR	ØX REF	K REF	PART NUMBER

THIS DRAWING IS A CONTROLLED DOCUMENT.

DIMENSIONS: mm

TOLERANCES UNLESS OTHERWISE SPECIFIED:

0 PLC	±
1 PLC	±0.13
2 PLC	±
3 PLC	±
4 PLC	±
ANGLES	±
FINISH	-

MATERIAL: SEE CALLOUT

APPROVED: G. DOUTY 07MAR2001
 CHK: H. WAKEEM 12JUN2003
 APVD: H. WAKEEM 12JUN2003

NAME: ASSEMBLY, RECEPTACLE, SIZE 8, 4 POSITION, PANEL MOUNT, MINI CPC

SIZE: A1 CAGE CODE: DRAWING NO: 100779 ©=1445421

RESTRICTED TO: CUSTOMER DRAWING

SCALE: 5:1 SHEET 1 OF 1 REV D

TE Connectivity