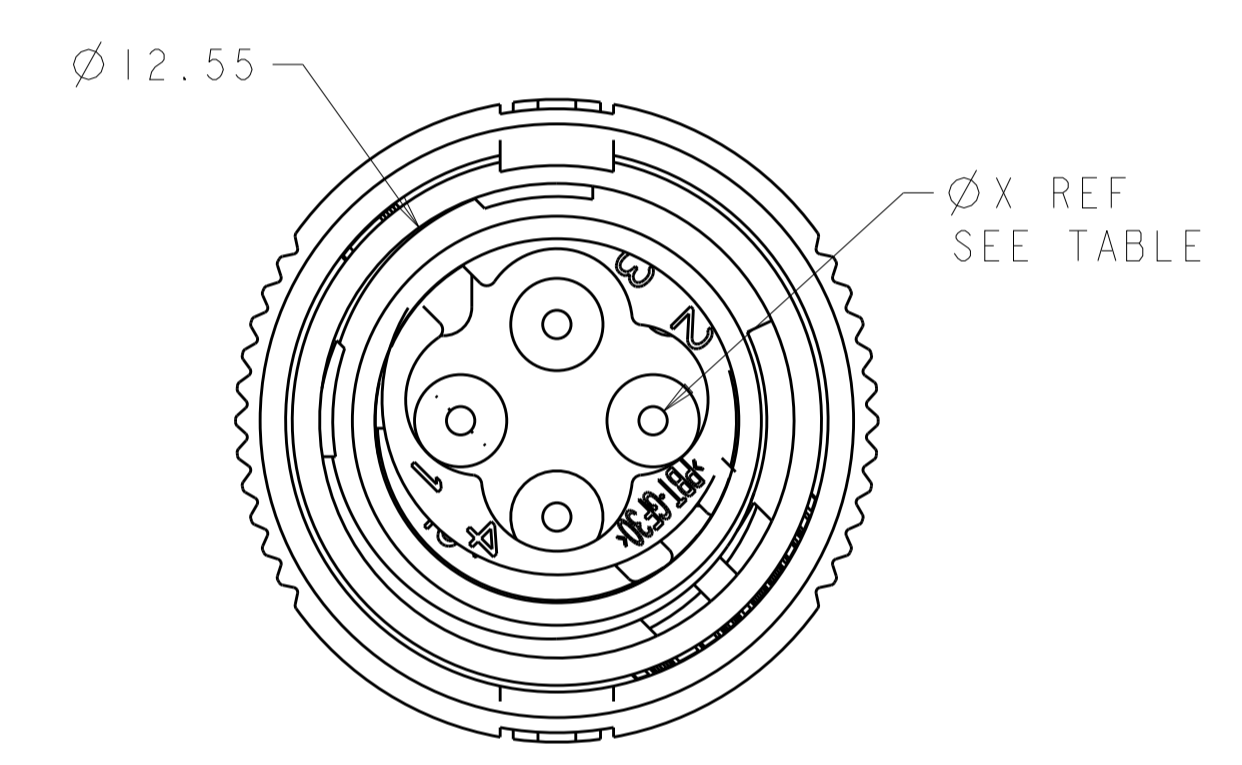
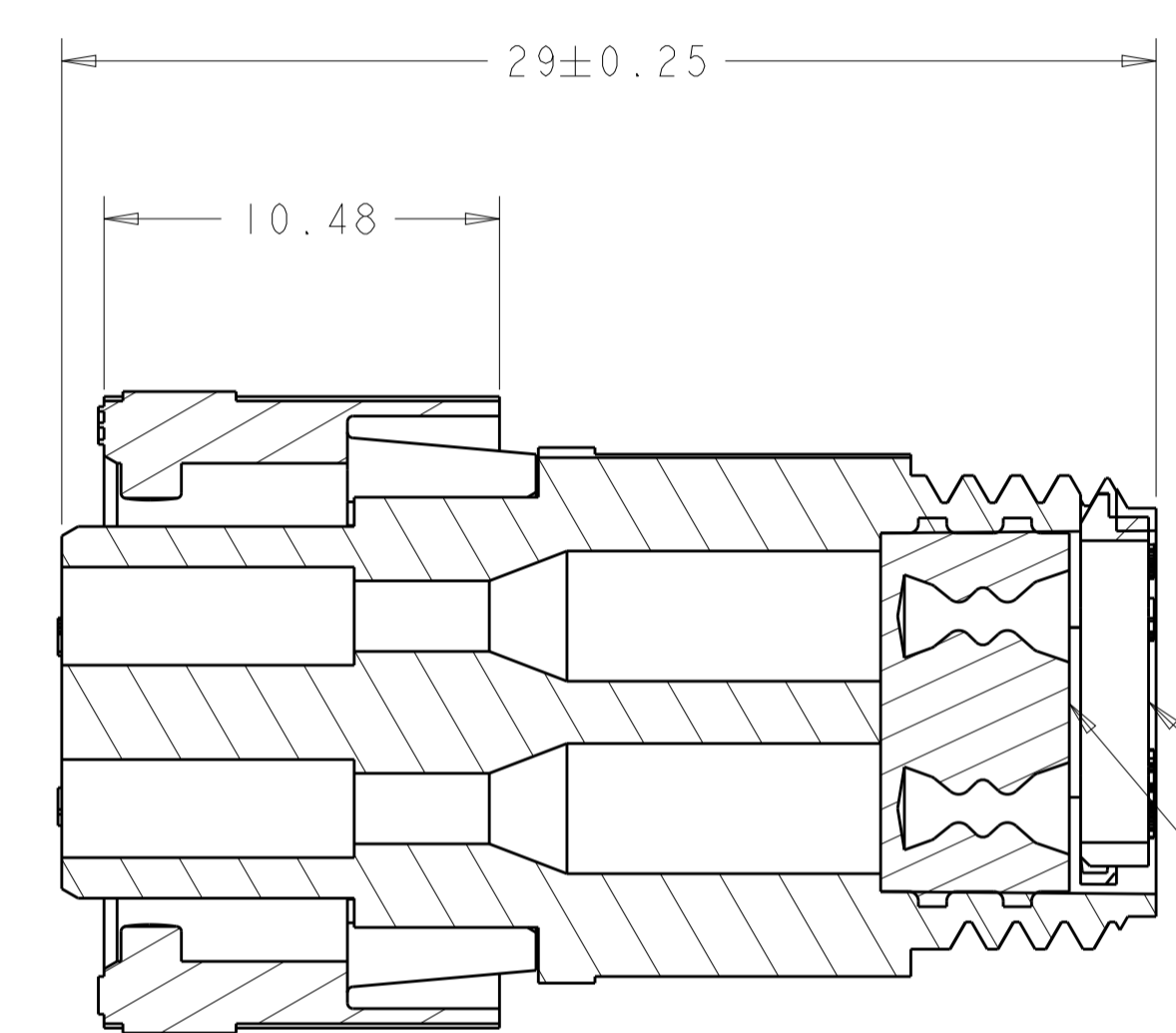
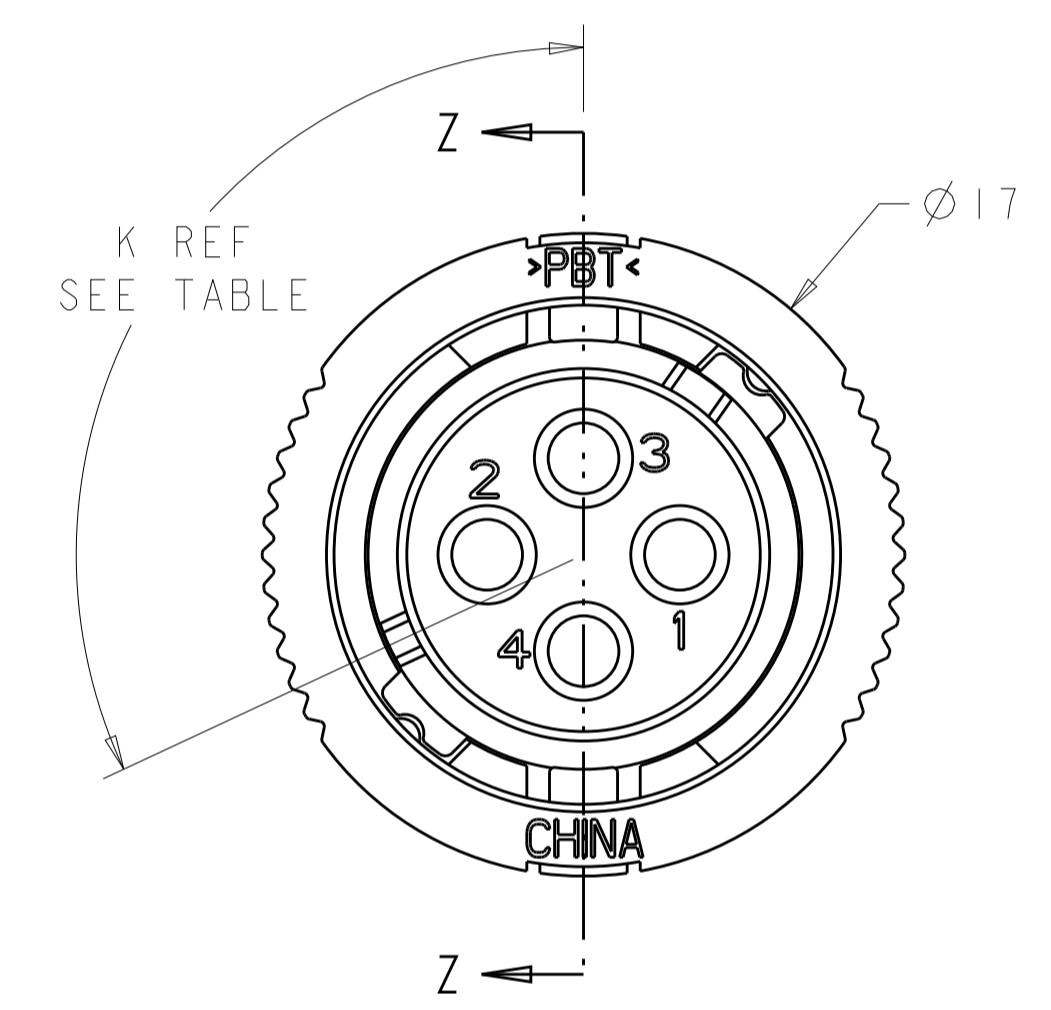
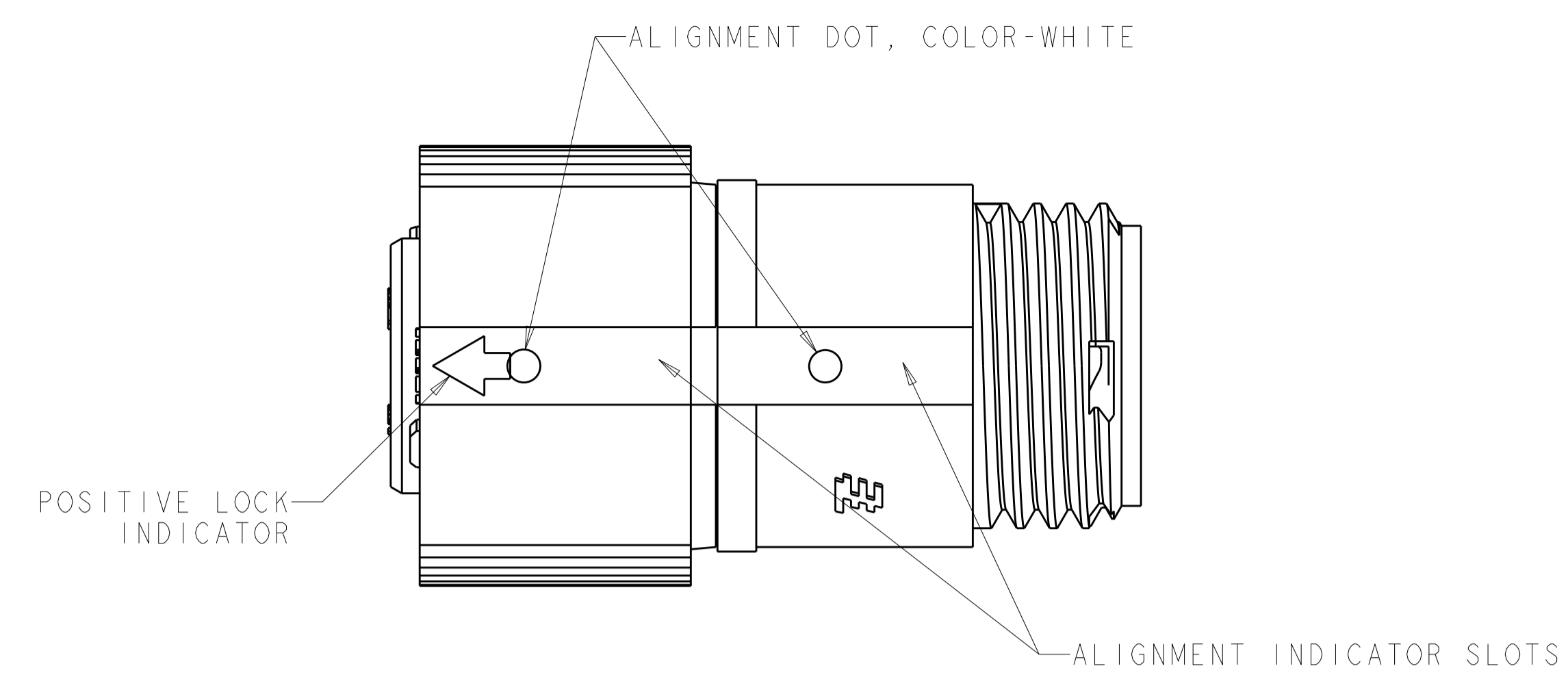
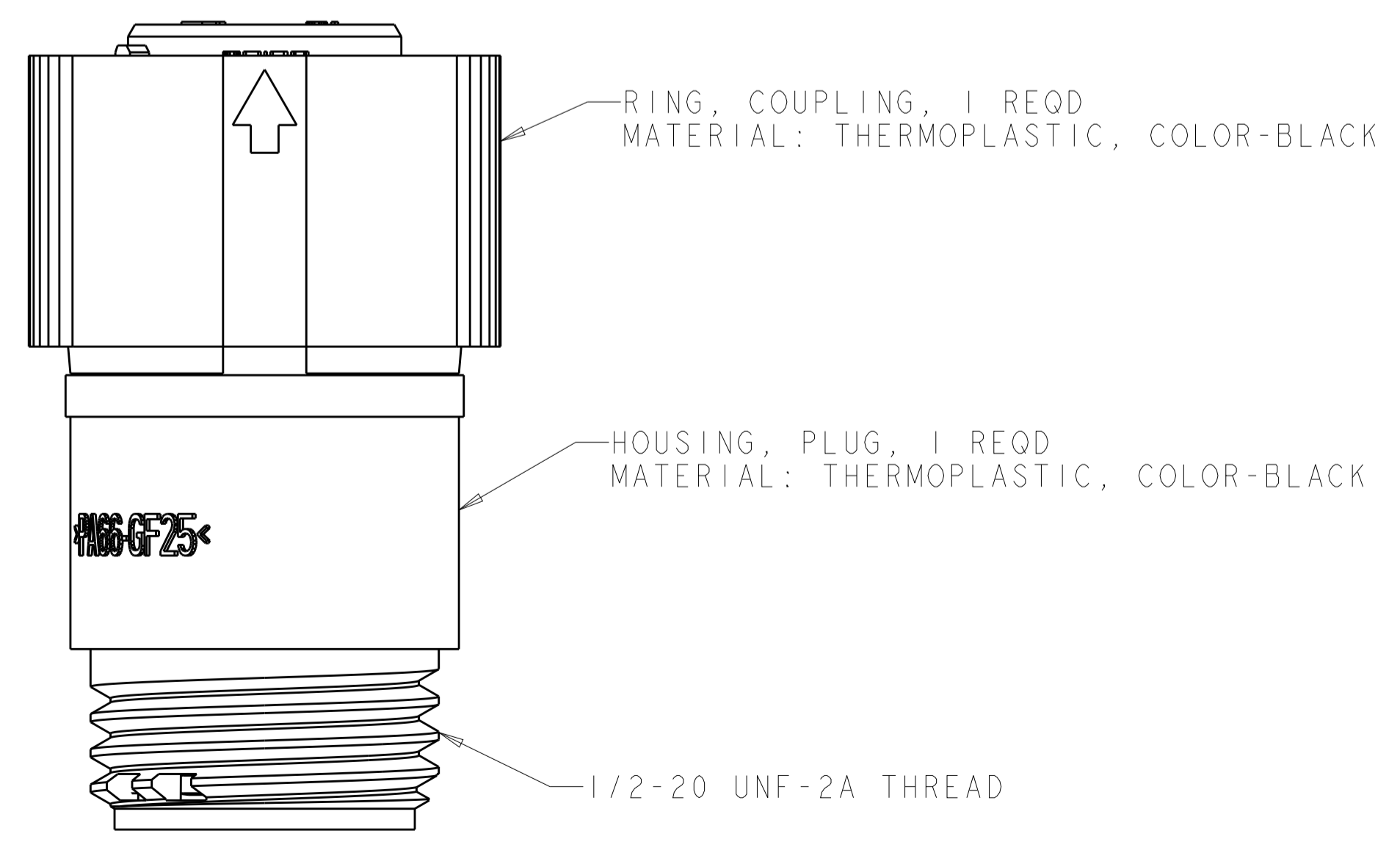


LOC		DIST		REVISIONS			
FT	0	P	LTH	DESCRIPTION	DATE	DWN	APVD
		B3		REVISED PER ECO-15-010004	13JUL2015	NK	MZ
		C		REVISED PER ECO-17-004650	06APR2017	BDA	MZ



RETAINER, SEAL, 1 REQD
 MATERIAL: THERMOPLASTIC, COLOR-BLACK

SEAL, WIRE ENTRY, 1 REQD
 MATERIAL: ELASTOMER, COLOR-SEE TABLE



OBSOLETE	YELLOW	Ø0.75	130°	1445390-04
	NATURAL	Ø1.5	115°	1445390-03
OBSOLETE	NATURAL	Ø1.5	130°	1445390-02
	YELLOW	Ø0.75	115°	1445390-01
	SEAL, WIRE ENTRY COLOR	ØX REF	K REF	PART NUMBER

THIS DRAWING IS A CONTROLLED DOCUMENT.		DWN G. DOUTY 01MAR2001	TE Connectivity	
DIMENSIONS:		CHK H. WAKEEM 12JUN2003		
mm	TOLERANCES UNLESS OTHERWISE SPECIFIED:	APVD H. WAKEEM 12JUN2003	NAME ASSEMBLY, PLUG, SIZE 8 4 POSITION, SEALED, MINI CPC	
0 PLC ±	1 PLC ±0.13	PRODUCT SPEC	SIZE CAGE CODE DRAWING NO	
2 PLC ±	3 PLC ±	APPLICATION SPEC	RESTRICTED TO	
4 PLC ±	ANGLES ±	WEIGHT	A100779C=1445390	
MATERIAL SEE CALLOUT	FINISH SEE CALLOUT	CUSTOMER DRAWING	SCALE 5:1	SHEET 1 OF 1 REV C