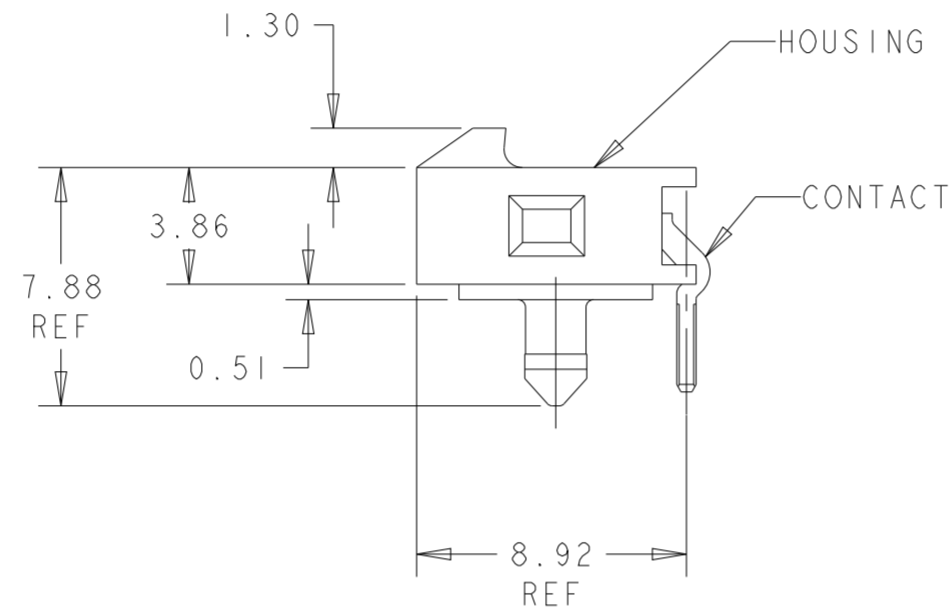
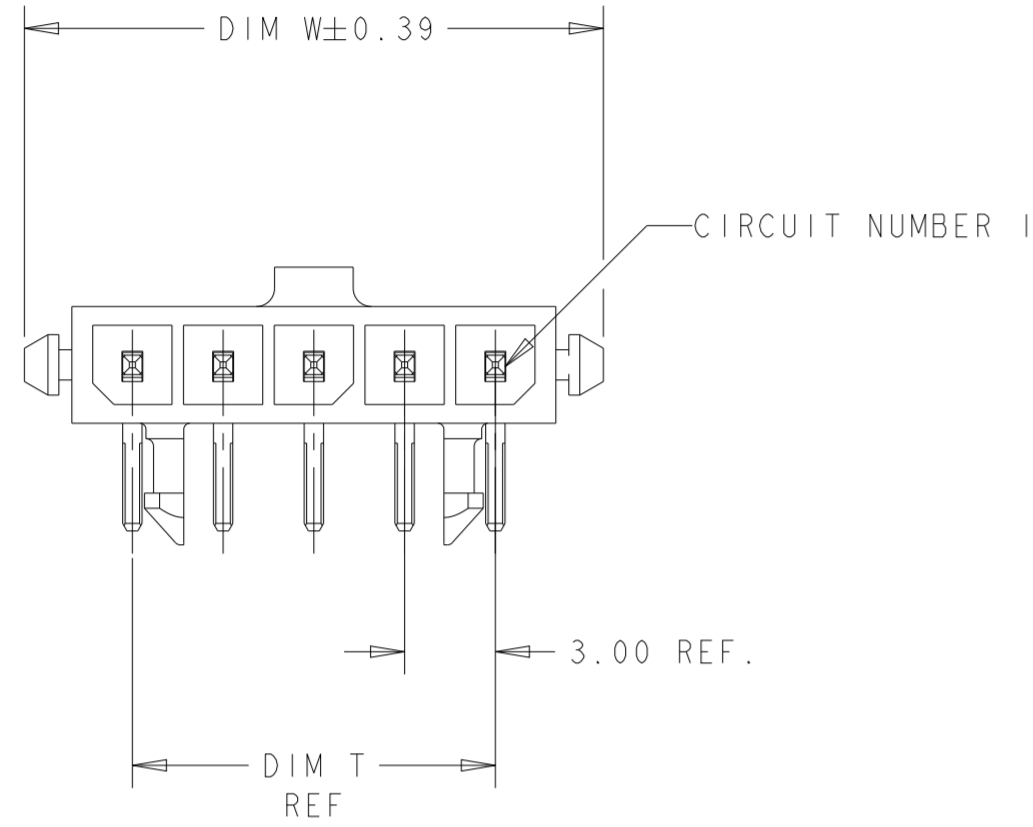
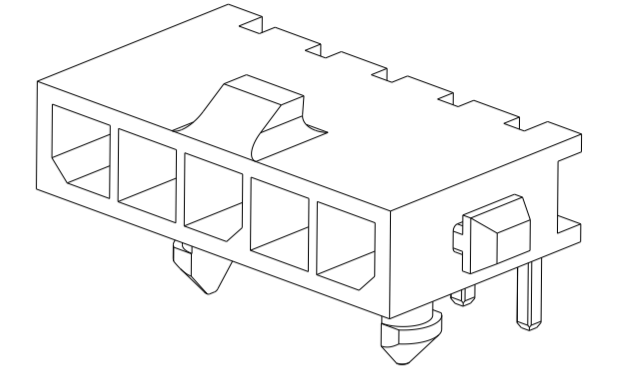
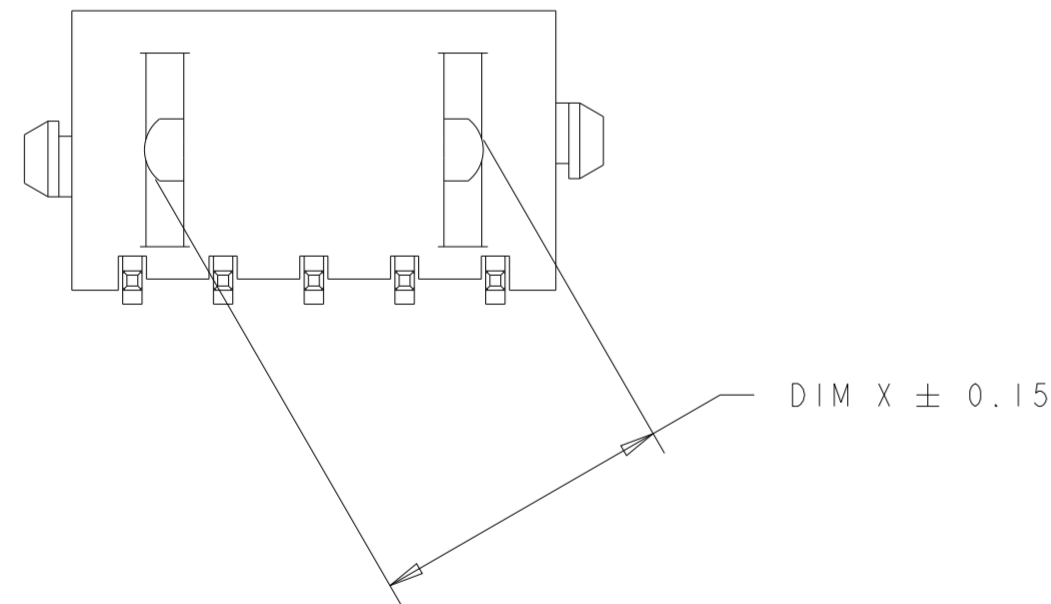


THIS DRAWING IS UNPUBLISHED. RELEASED FOR PUBLICATION 2011
 © COPYRIGHT 2011 ALL RIGHTS RESERVED.

LOC	DIST	REVISIONS					
CM	00	P	LTR	DESCRIPTION	DATE	DWN	APVD
		B2		REVISED PER ECN-23-242776	14DEC2023	WLS	VS



- 1 MATERIAL: HOUSING - UL 94V-0 RATED HIGH TEMP., NYLON, COLOR BLACK.
CONTACTS - BRASS
- 2 RECOMMENDED PC BOARD THICKNESS OF 1.57.
- 3 PLATING: CONTACTS - 0.38µm MINIMUM GOLD ON MATING AREA.
2.54µm MINIMUM MATTE TIN ON SOLDER TAILS.
ALL OVER 1.27µm MINIMUM NICKEL.
- 4 COUNTERPART RECOMMENDED IS PN 1445022 9DASH ACCORDING TO NUMBER OF POSITION).
- 5 FOR REELING DIRECTION AND PACKAGING TYPE, SEE SPECIFICATION 114-13000.



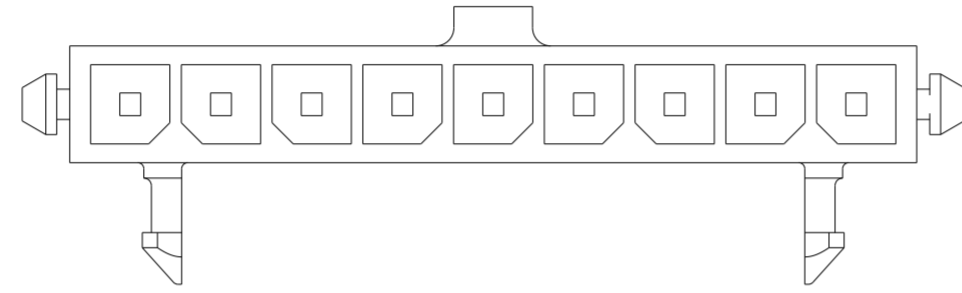
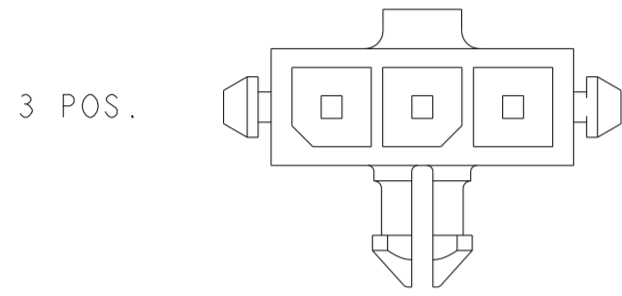
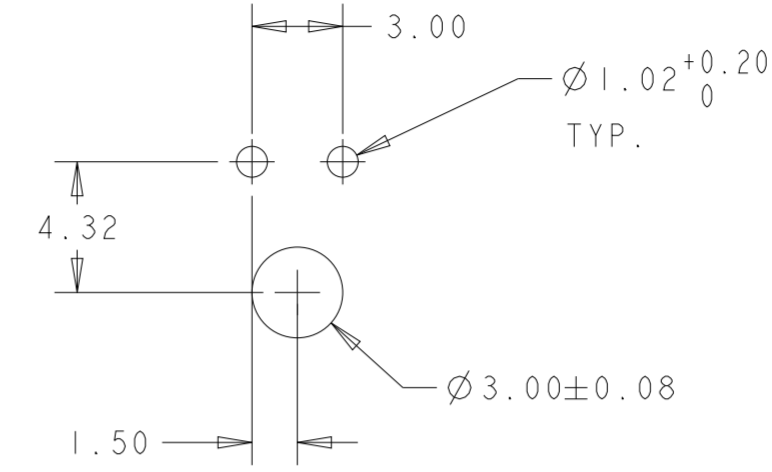
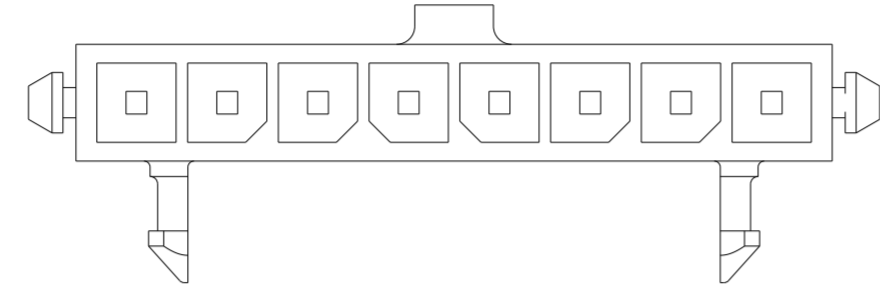
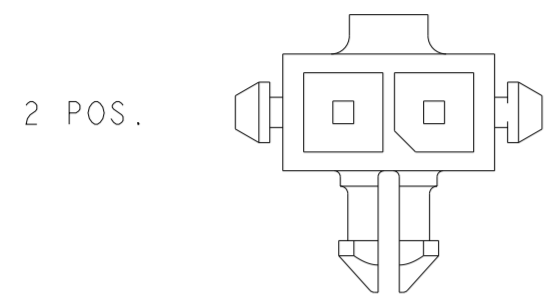
OBSOLETE	-32.20	33.00	28.70	33.00	40.14	12	3-1445089-2
OBSOLETE	-29.20	30.00	25.70	30.00	37.14	11	3-1445089-1
OBSOLETE	-26.20	27.00	22.70	27.00	34.14	10	3-1445089-0
OBSOLETE	-23.20	24.00	19.70	24.00	31.14	9	2-1445089-9
OBSOLETE	-20.20	21.00	16.70	21.00	28.14	8	2-1445089-8
OBSOLETE	-17.20	18.00	13.70	18.00	25.14	7	2-1445089-7
OBSOLETE	-14.20	15.00	10.70	15.00	22.14	6	2-1445089-6
OBSOLETE	-11.20	12.00	7.70	12.00	19.14	5	2-1445089-5
	8.00	9.00	4.70	9.00	16.14	4	2-1445089-4
	3.30	-	-	6.00	13.14	3	2-1445089-3
OBSOLETE	-3.30	-	-	3.00	10.14	2	2-1445089-2
	DIM X	DIM Z	DIM V	DIM T	DIM W	NO. OF POSN	PART NUMBER

THIS DRAWING IS A CONTROLLED DOCUMENT.

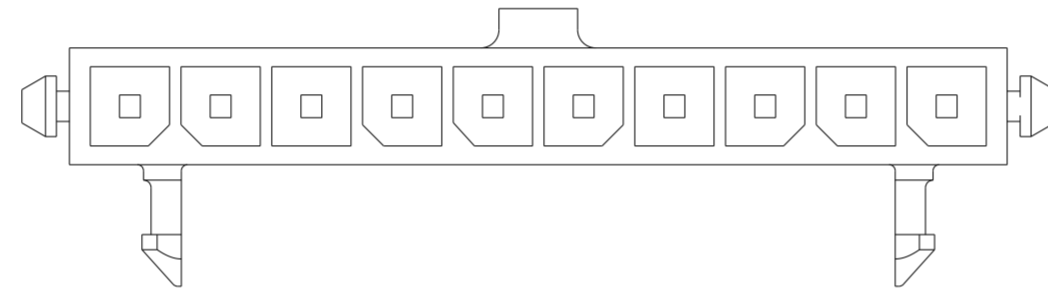
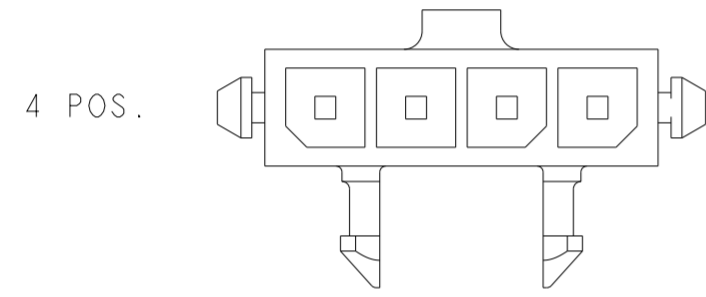
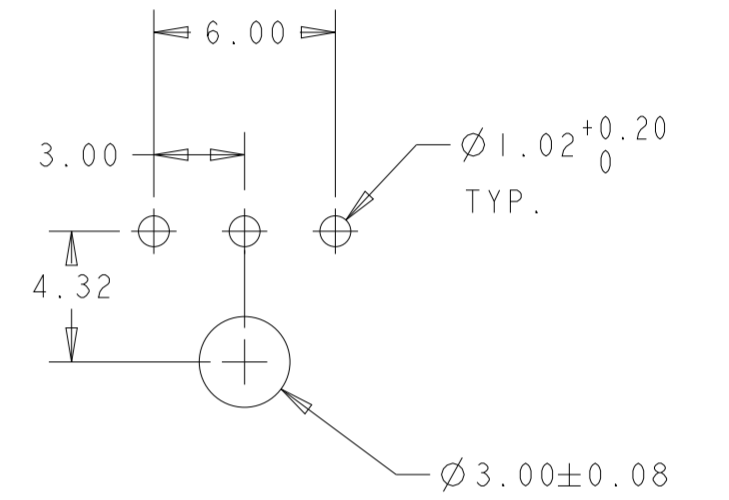
DIMENSIONS: mm	TOLERANCES UNLESS OTHERWISE SPECIFIED:	DWN J. ROOT 09OCT2000	TE Connectivity
	0 PLC ±	CHK K. WHITAKER 17-APR-2001	
	1 PLC ±	APVD C. JONES 17-APR-2001	
	2 PLC ±0.13	NAME	
3 PLC ±	4 PLC ±	PRODUCT SPEC	RIGHT ANGLE THRU HOLE HEADER ASSY, 0.38 MIC GOLD CONTACTS, WITH PLASTIC HOLDDOWNS, SGL ROW, MICRO MATE-N-LOK™
ANGLES	FINISH	APPLICATION SPEC	RESTRICTED TO
MATERIAL		114-13000	SIZE CAGE CODE DRAWING NO
		WEIGHT	A200779 C-1445089
		CUSTOMER DRAWING	SCALE 4:1 SHEET 1 OF 2 REV B2

THIS DRAWING IS UNPUBLISHED. RELEASED FOR PUBLICATION 2011
 © COPYRIGHT 2011 ALL RIGHTS RESERVED.

LOC	DIST	REVISIONS					
CM	00	P	LTR	DESCRIPTION	DATE	DWN	APVD
		-		SEE SHEET 1	-	-	-

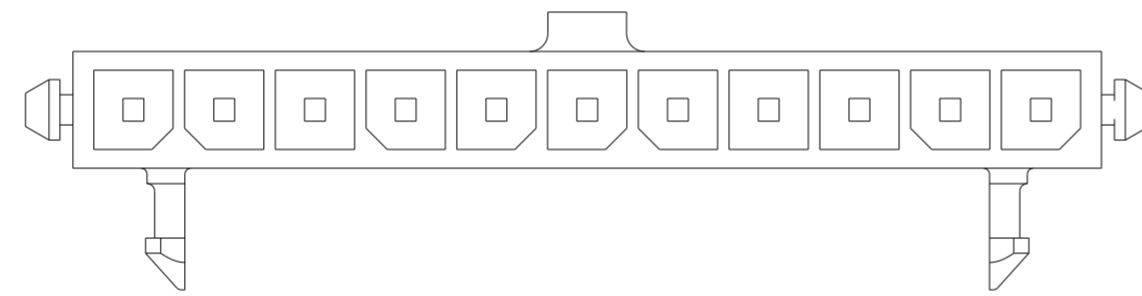
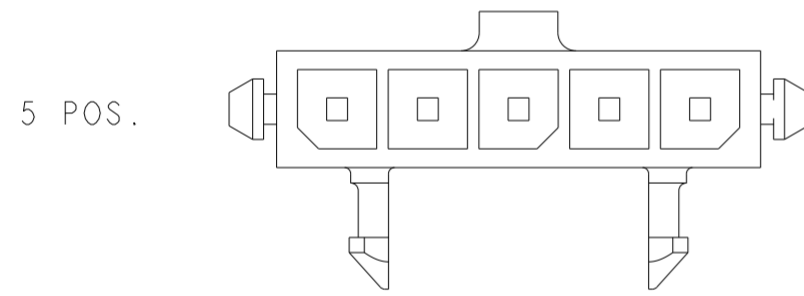


PCB LAYOUT FOR 2 POSITION COMPONENT SIDE

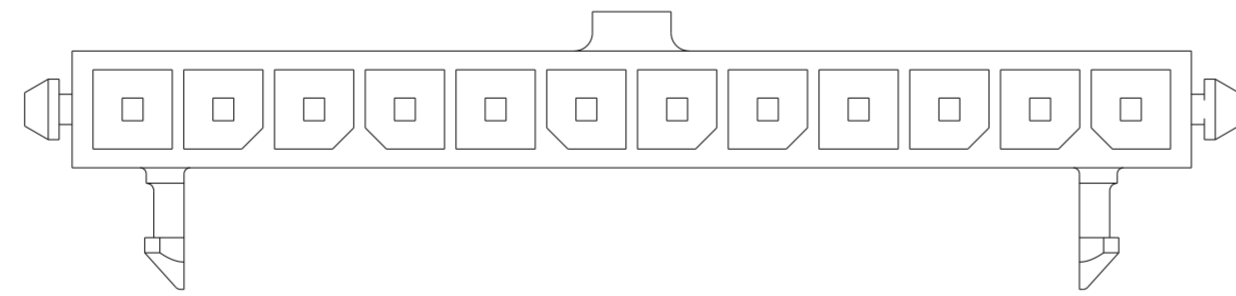
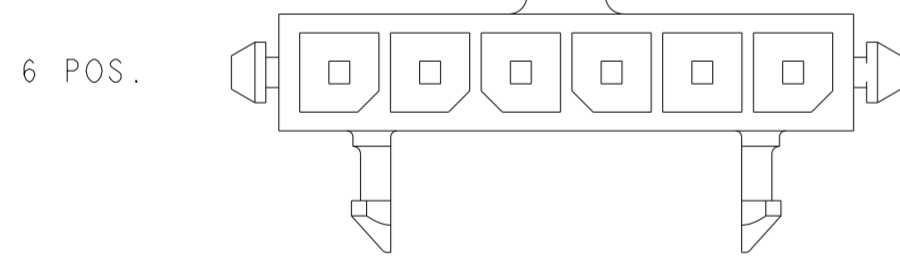
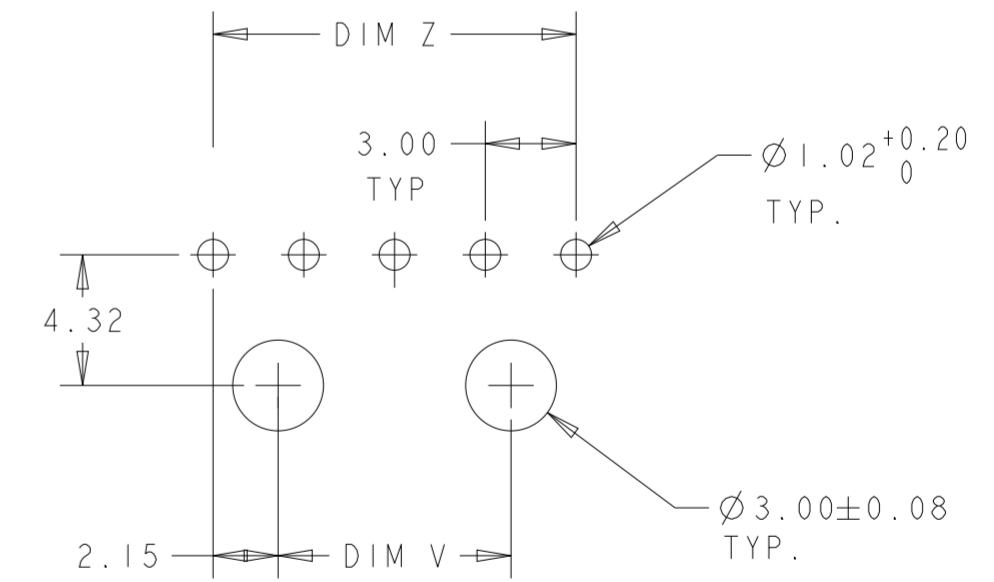


10 POS.

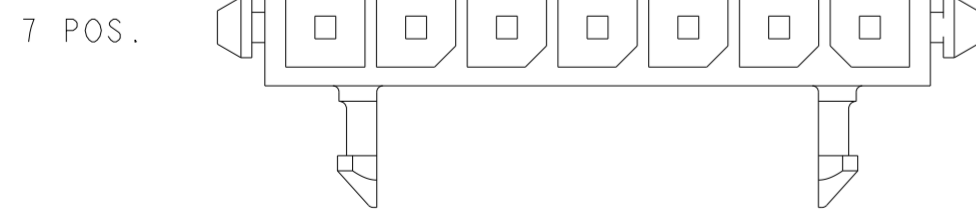
PCB LAYOUT FOR 3 POSITION COMPONENT SIDE



11 POS.



12 POS.



KEYING POSITION BI SIZE

THIS DRAWING IS A CONTROLLED DOCUMENT.		DWN J. ROOT 09OCT2000	TE Connectivity	
DIMENSIONS: mm		CHK K. WHITAKER 17-APR-2001		
TOLERANCES UNLESS OTHERWISE SPECIFIED:		APVD C. JONES 17-APR-2001	NAME RIGHT ANGLE THRU HOLE HEADER ASSY, 0.38 MIC GOLD CONTACTS, WITH PLASTIC HOLDDOWNS, SGL ROW, MICRO MATE-N-LOK™	
		PRODUCT SPEC	SIZE	RESTRICTED TO
MATERIAL		APPLICATION SPEC	CAGE CODE	
		WEIGHT	DRAWING NO	
		CUSTOMER DRAWING	A200779	
		SCALE	5:1	
		SHEET	2	
		OF	2	
		REV	B2	