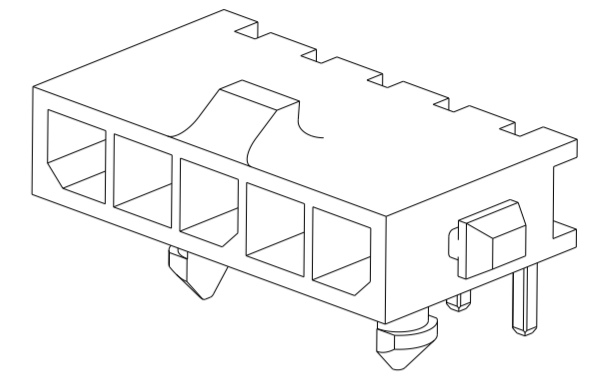
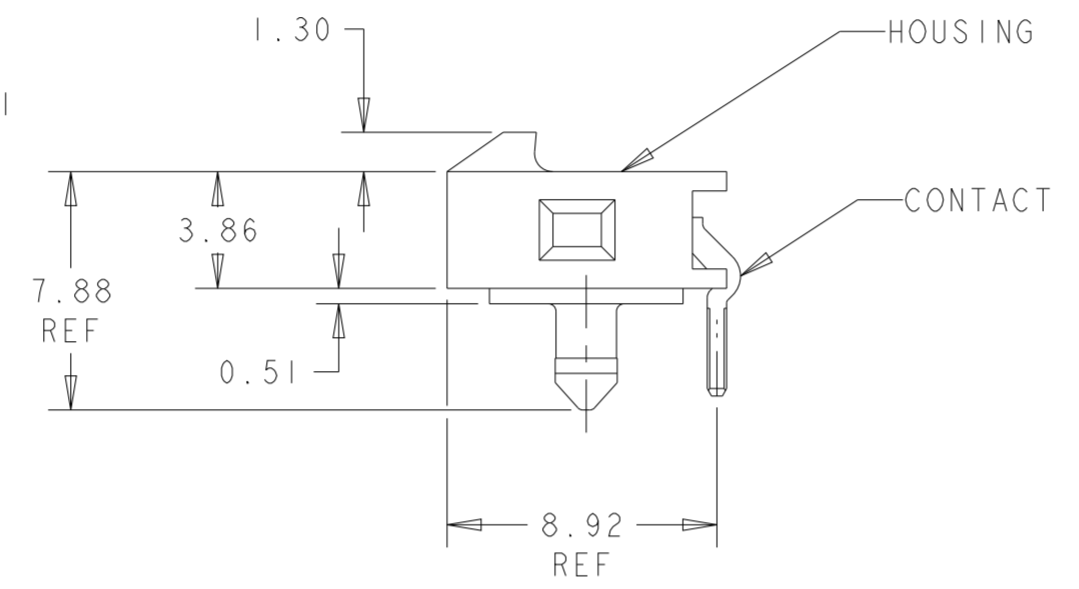
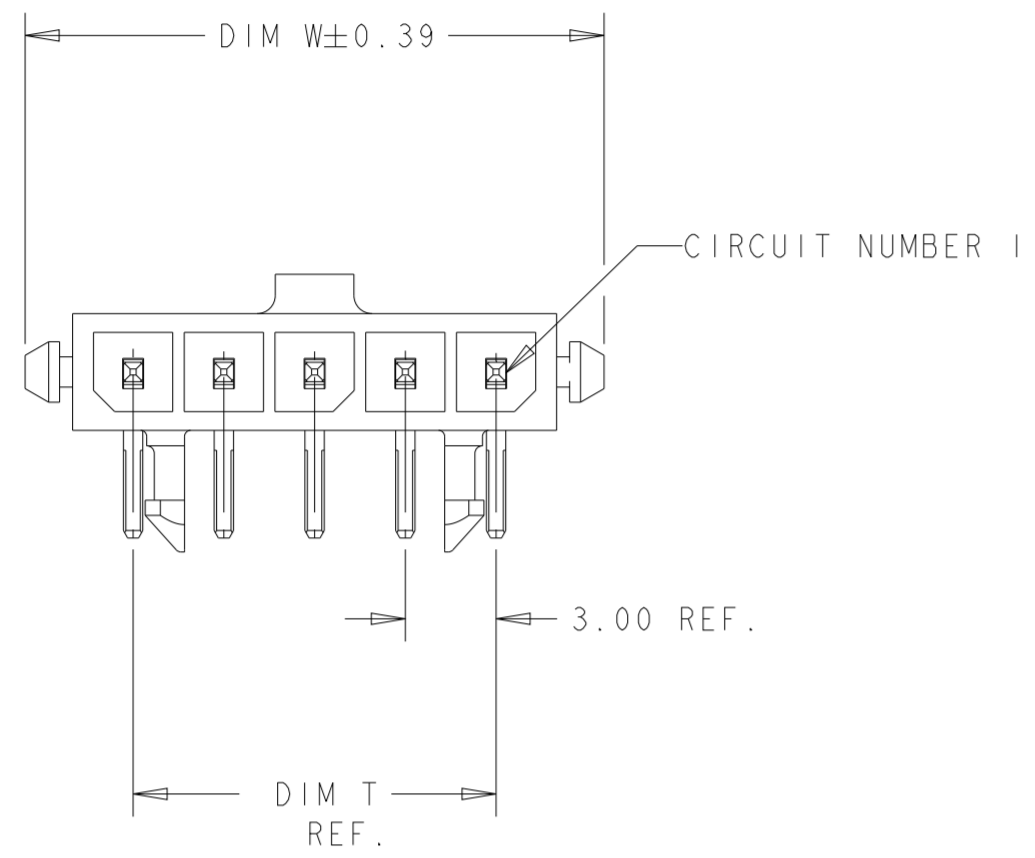
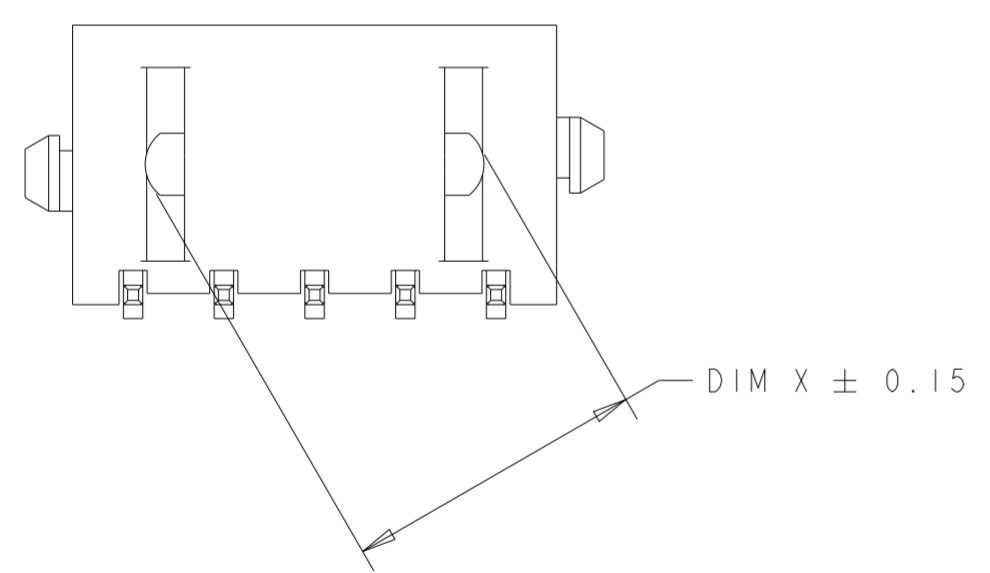


THIS DRAWING IS UNPUBLISHED. RELEASED FOR PUBLICATION 20
 © COPYRIGHT 20 BY - ALL RIGHTS RESERVED.

REVISIONS					
P	LTR	DESCRIPTION	DATE	DWN	APVD
B1		REVISED PER ECR-16-011494	20JUN2017	NK	CX
B2		ECO-19-006934	13MAY2019	AP	WS
C		REVISED PER ECN-20-100924	15DEC2020	WLS	VS
C1		REVISED PER ECN-23-242776	13DEC2023	WLS	VS



- 1 MATERIAL: HOUSING - UL 94V-0 RATED HIGH TEMP., NYLON, COLOR BLACK.
CONTACTS - BRASS
- 2 RECOMMENDED PC BOARD THICKNESS OF 1.57.
- 3 PLATING: CONTACTS - 2.54µm MINIMUM MATTE TIN OVER 1.27µm MINIMUM NICKEL.
- 4 COUNTERPART RECOMMENDED IS PN 1445022 (DASH ACCORDING TO NUMBER OF POSITION).
- 5 FOR REELING DIRECTION AND PACKAGING TYPE, SEE SPECIFICATION 114-13000.



OBSOLETE	-32.20	33.00	28.70	33.00	40.14	12	3-1445055-2
OBSOLETE	-29.20	30.00	25.70	30.00	37.14	11	3-1445055-1
OBSOLETE	-26.20	27.00	22.70	27.00	34.14	10	3-1445055-0
	23.20	24.00	19.70	24.00	31.14	9	2-1445055-9
	20.20	21.00	16.70	21.00	28.14	8	2-1445055-8
	17.20	18.00	13.70	18.00	25.14	7	2-1445055-7
	14.20	15.00	10.70	15.00	22.14	6	2-1445055-6
	11.20	12.00	7.70	12.00	19.14	5	2-1445055-5
	8.00	9.00	4.70	9.00	16.14	4	2-1445055-4
	3.30	-	-	6.00	13.14	3	2-1445055-3
	3.30	-	-	3.00	10.14	2	2-1445055-2
	DIM X	DIM Z	DIM V	DIM T	DIM W	NO. OF POSN	PART NUMBER

THIS DRAWING IS A CONTROLLED DOCUMENT.

DWN: J. ROOT 06OCT2000
 CHK: K. WHITAKER 13-MAR-2001
 APVD: K. WHITAKER 13-MAR-2001

STE TE Connectivity

NAME: RIGHT ANGLE THRU HOLE HEADER ASSY, TIN CONTACTS W/PLASTIC HOLDDOWNS, SINGLE ROW, MICRO MATE-N-LOK™

PRODUCT SPEC: 108-1836
 APPLICATION SPEC: 114-13000

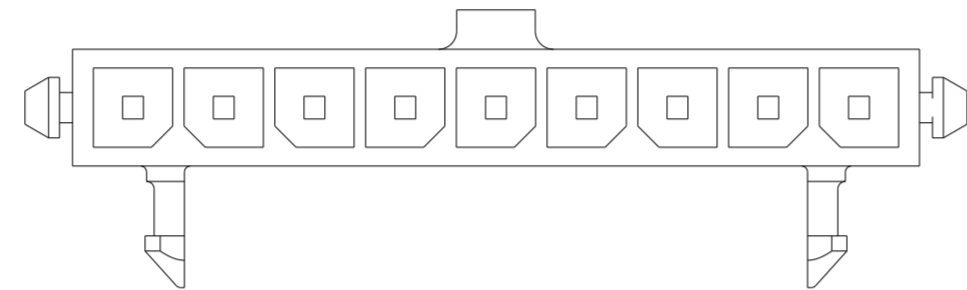
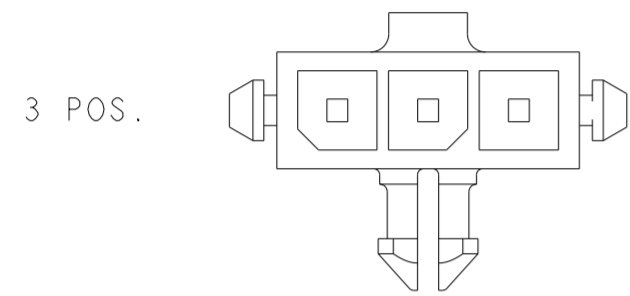
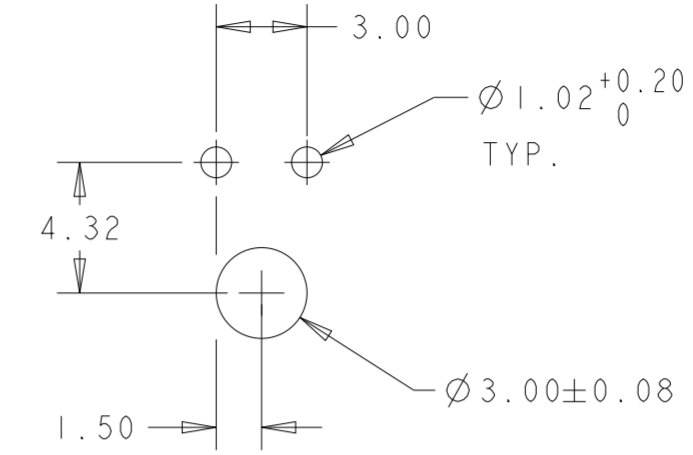
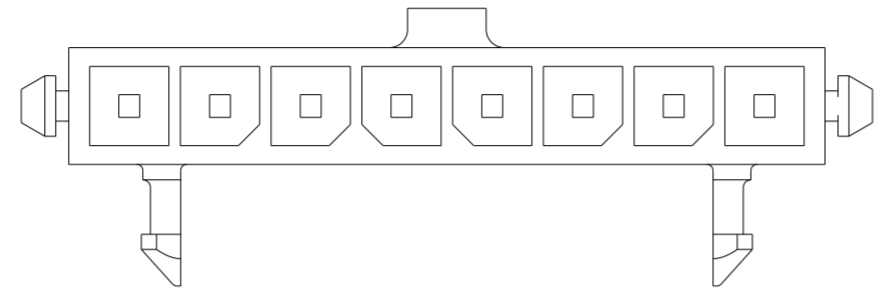
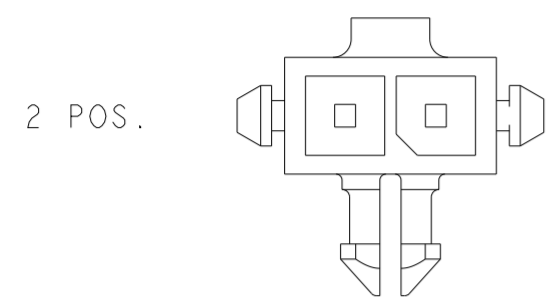
SIZE: A2 CAGE CODE: 00779 DRAWING NO: C-1445055 RESTRICTED TO: -

MATERIAL: 1 FINISH: 3

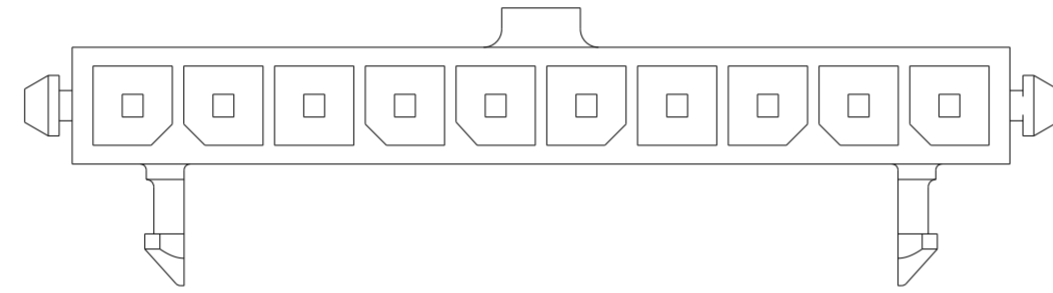
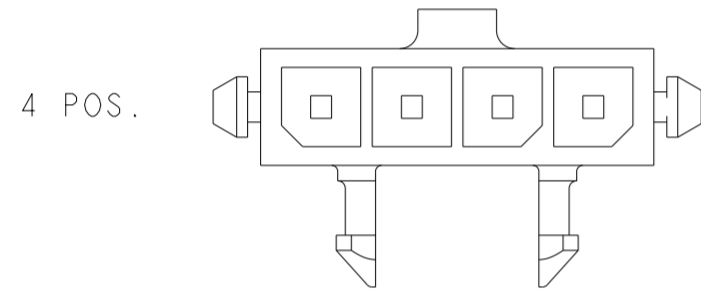
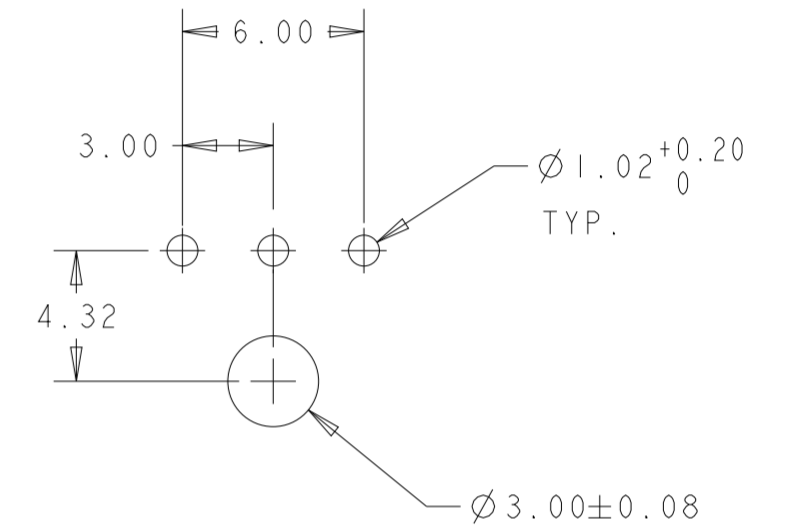
CUSTOMER DRAWING SCALE: 4:1 SHEET: 1 OF 2 REV: C1

THIS DRAWING IS UNPUBLISHED. RELEASED FOR PUBLICATION 20
 © COPYRIGHT 20 BY - ALL RIGHTS RESERVED.

REVISIONS				
P	LTR	DESCRIPTION	DATE	APVD
-	-	SEE SHEET 1	-	-

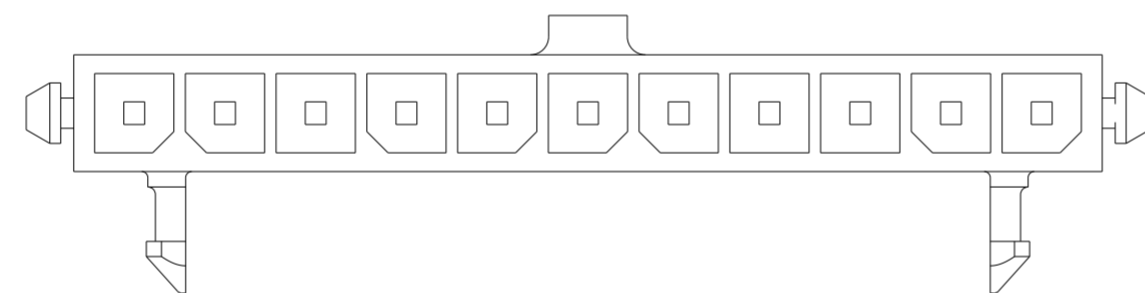
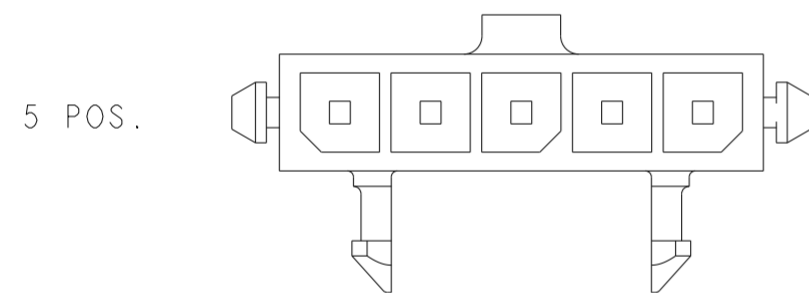


PCB LAYOUT FOR 2 POSITION COMPONENT SIDE

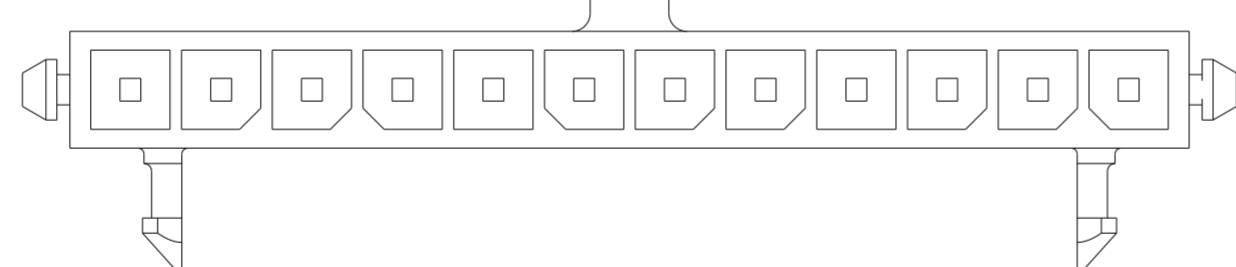
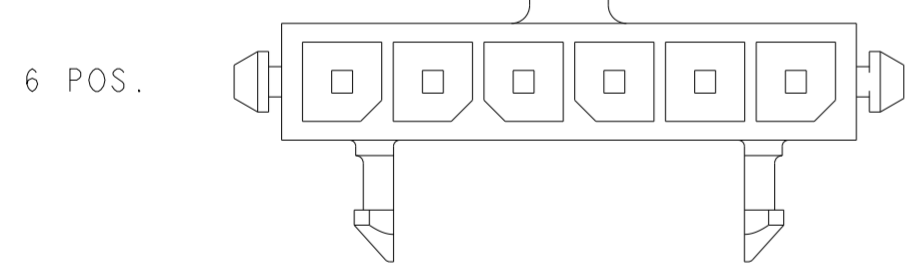
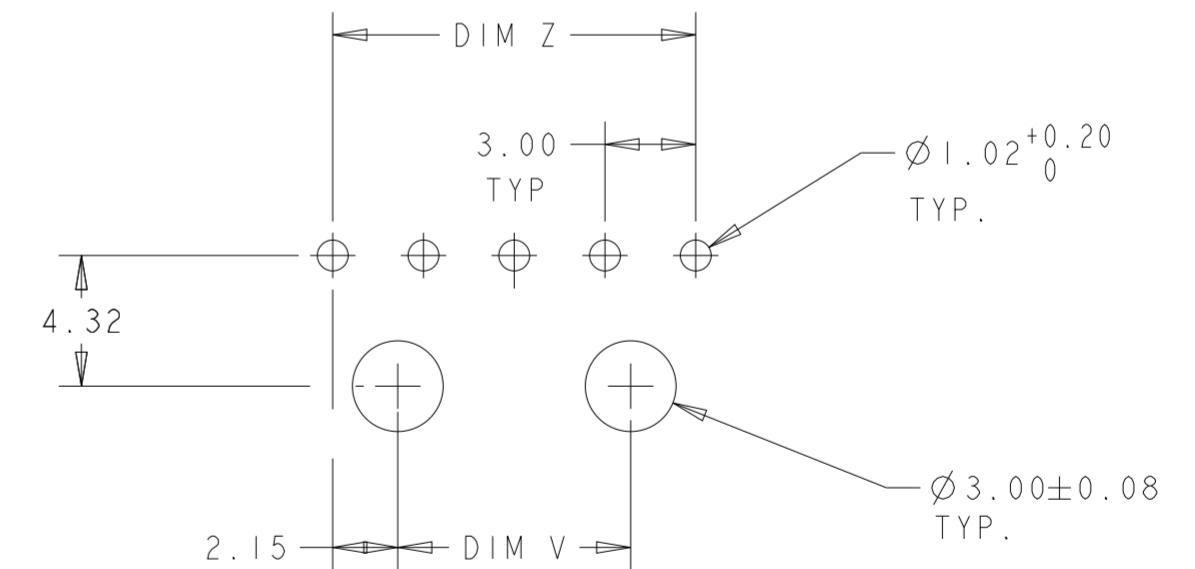


10 POS.

PCB LAYOUT FOR 3 POSITION COMPONENT SIDE

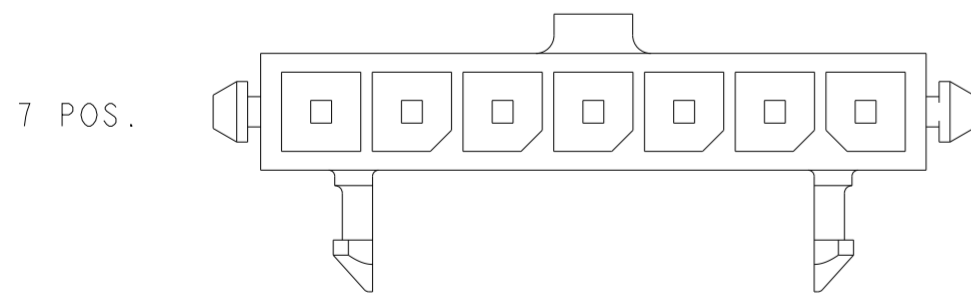


11 POS.



12 POS.

PCB LAYOUT FOR 4-12 POSITION COMPONENT SIDE



KEYING POSITION BI SIZE

THIS DRAWING IS A CONTROLLED DOCUMENT.		DWN J. ROOT 06OCT2000	TE Connectivity	
DIMENSIONS: mm		CHK K. WHITAKER 13-MAR-2001		
TOLERANCES UNLESS OTHERWISE SPECIFIED:		APVD K. WHITAKER 13-MAR-2001	NAME RIGHT ANGLE THRU HOLEHEADER ASSY, TIN CONTACTS W/PLASTIC HOLDDOWNS, SINGLE ROW, MICRO MATE-N-LOK™	
0 PLC ± 1 PLC ± 2 PLC ±0.13 3 PLC ± 4 PLC ±		PRODUCT SPEC -	SIZE A2	
ANGLES ±1° FINISH		APPLICATION SPEC -	CAGE CODE A200779	DRAWING NO C-1445055
MATERIAL -		WEIGHT -	RESTRICTED TO -	
-		CUSTOMER DRAWING	SCALE 5:1	SHEET 2 OF 2