

4

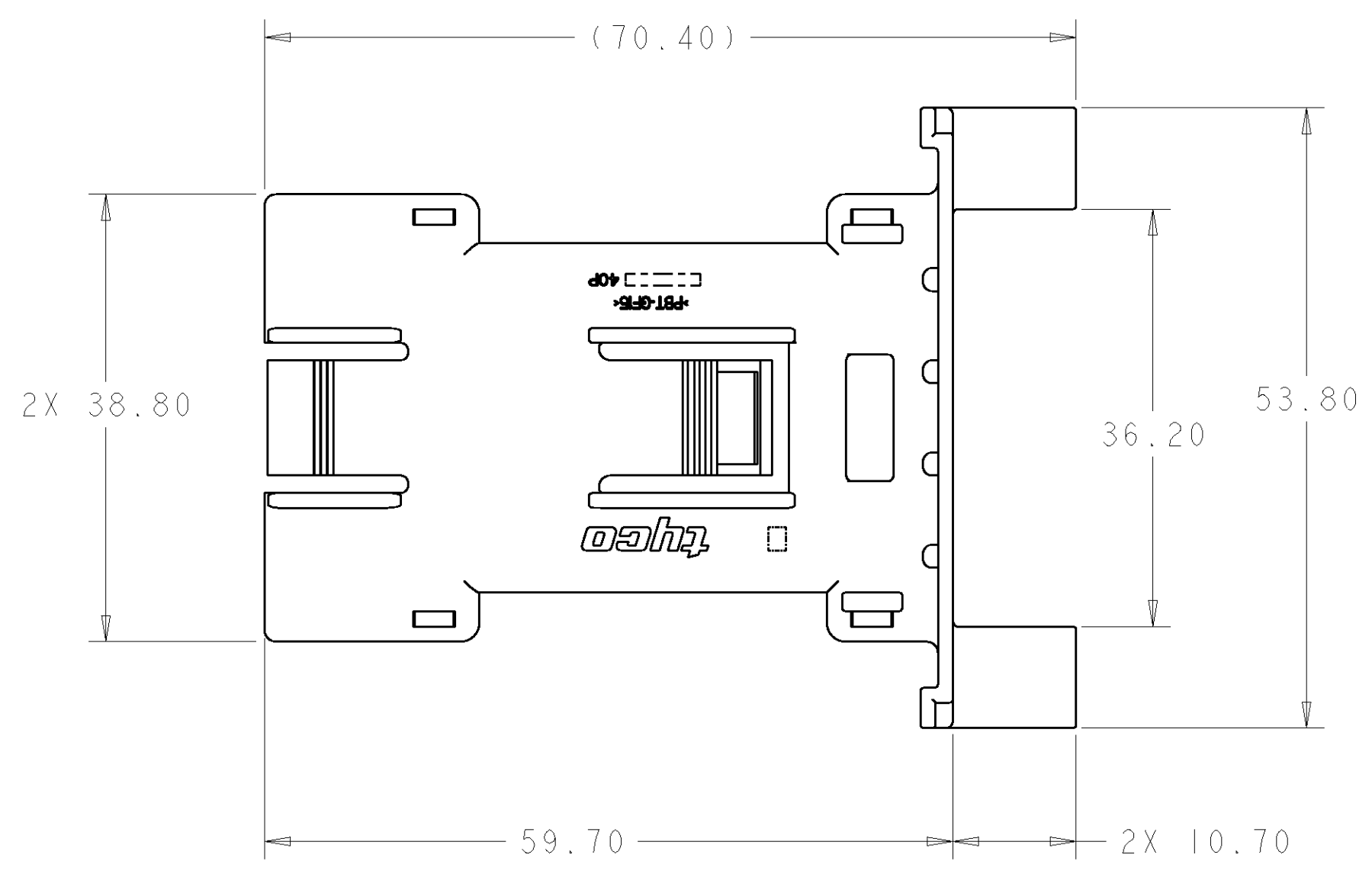
3

2

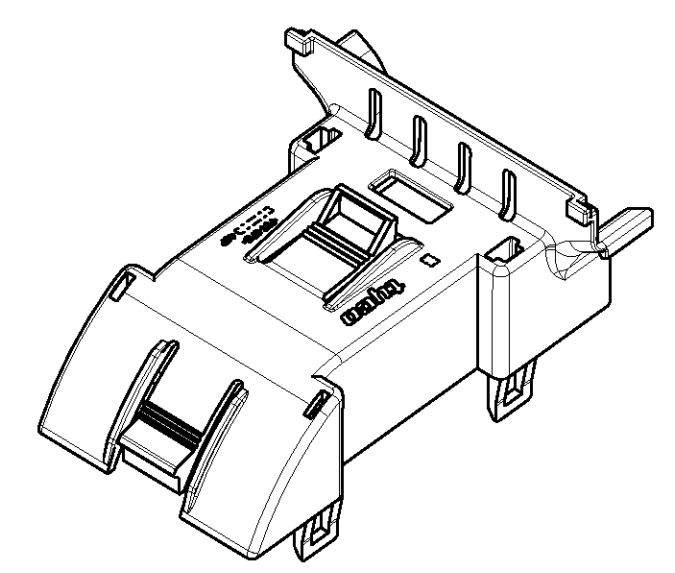
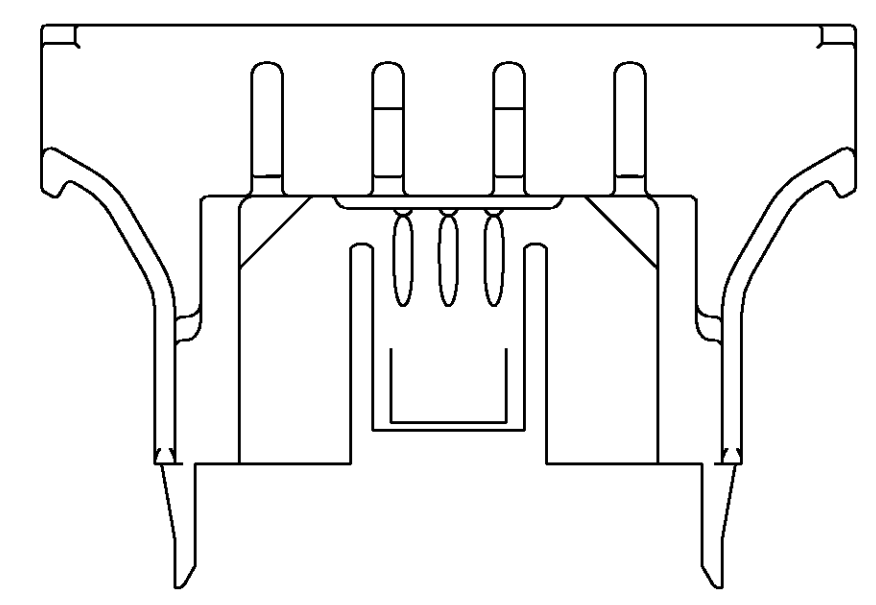
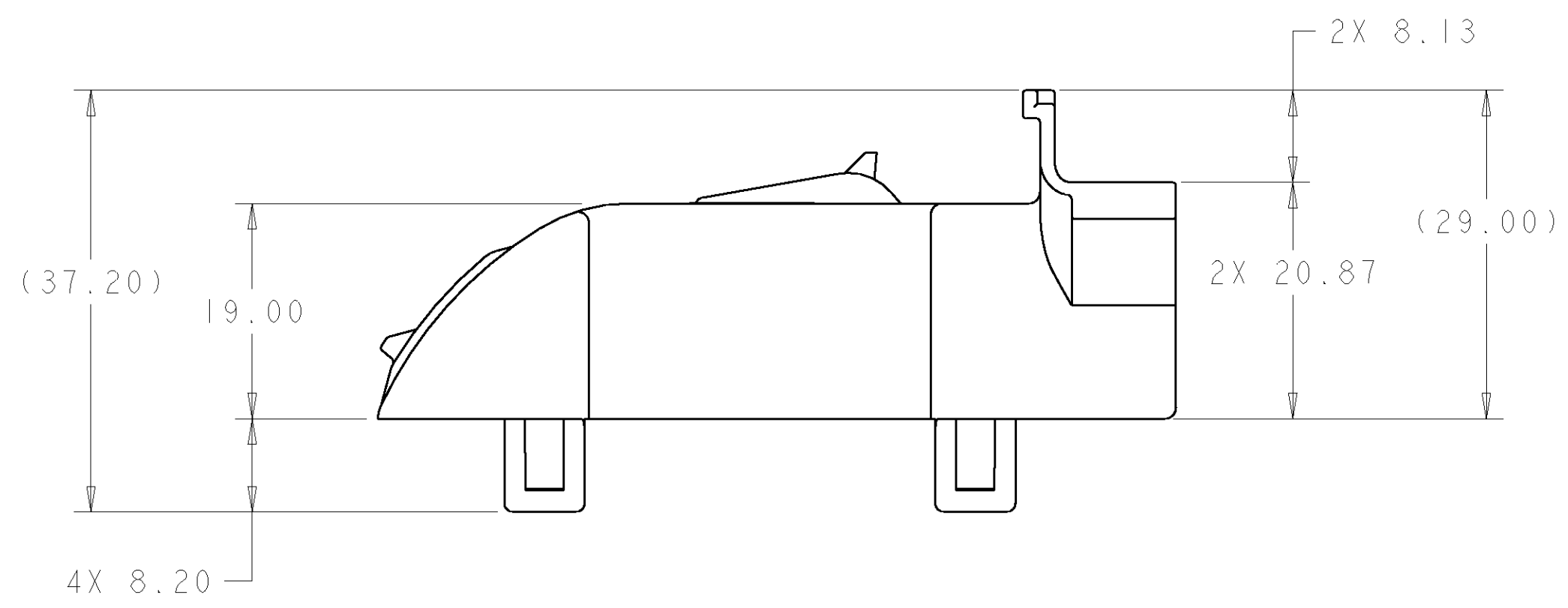
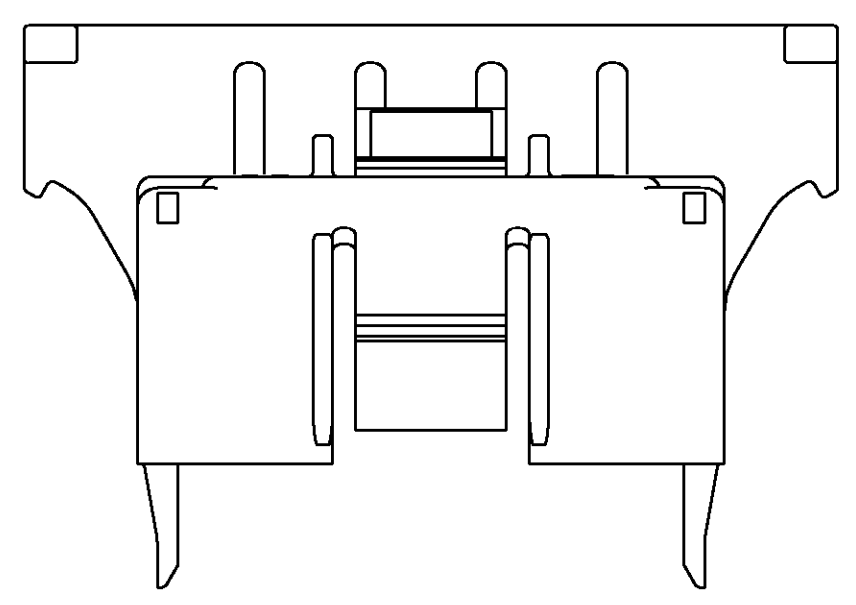
1

THIS DRAWING IS UNPUBLISHED. RELEASED FOR PUBLICATION 20  
 © COPYRIGHT 2001 BY TYCO ELECTRONICS CORPORATION. ALL RIGHTS RESERVED.

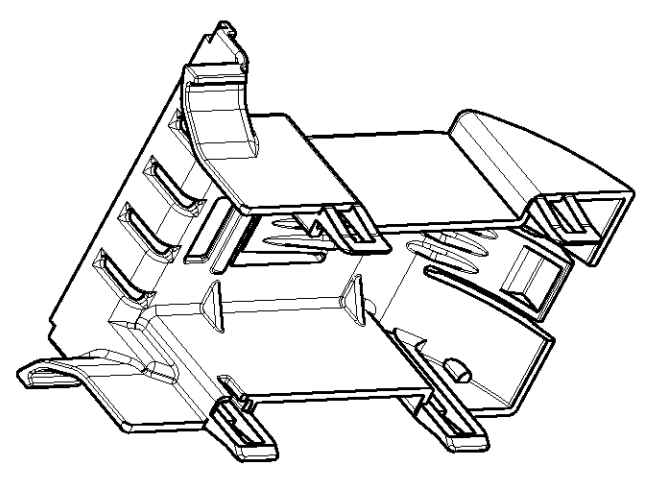
LOC	DIST	REVISIONS			
P	LTR	DESCRIPTION	DATE	DWN	APVD
		1	PROPOSED	14JUN2005	KF GM
		2	PROPOSED	03AUG2005	KF GM
		3	PROPOSED	05OCT2005	KF GM
		A	RELEASED PER ECR-06-004764	01MAR2006	AH DC



▲ PBT, GLASS FILLED, COLOR BLACK.  
 2. FOR USE WITH TYCO P/N 1488846 (SOLD SEPARATELY).



REF VIEW  
SCALE 1:1



REF VIEW  
SCALE 1:1

1438952-1  
PART NUMBER

THIS DRAWING IS A CONTROLLED DOCUMENT FOR TYCO ELECTRONICS CORPORATION. IT IS SUBJECT TO CHANGE AND THE CONTROLLING ENGINEERING ORGANIZATION SHOULD BE CONTACTED FOR THE LATEST REVISION.		DWN	K. FOLTZ	14JUN2005	Tyco Electronics Harrisburg, PA 17105-3608
DIMENSIONS:		CHK	G. MARTIN	17JUN2005	
mm		APVD	G. MARTIN	17JUN2005	
TOLERANCES UNLESS OTHERWISE SPECIFIED:		NAME		PRODUCT SPEC	
0 PLC	±.5	WIRE COVER, 40 POSITION, LOW PROFILE, FOR 1.5, 2.8, & 6.3 CONTACT SIZES, HYBRID		APPLICATION SPEC	
1 PLC	±.5	SIZE		WEIGHT	
2 PLC	±0.50	A2		CAGE CODE	
3 PLC	±.	00779		DRAWING NO	
4 PLC	±.	C-1438952		RESTRICTED TO	
ANGLES	±.	CUSTOMER DRAWING		-	
FINISH	-	SCALE 2:1		SHEET 1 OF 1	
				REV A	

1438952