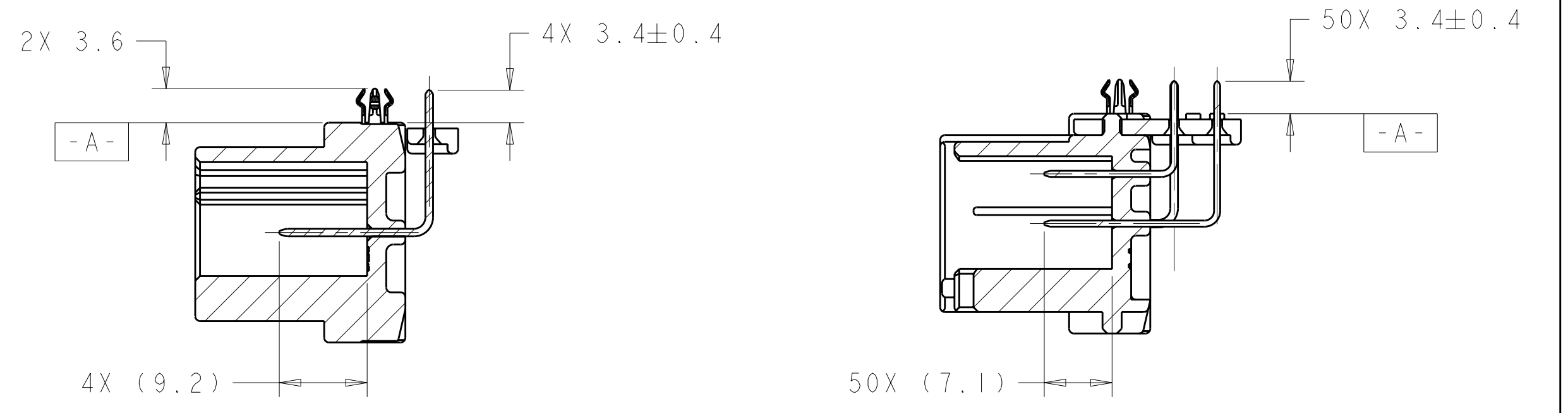
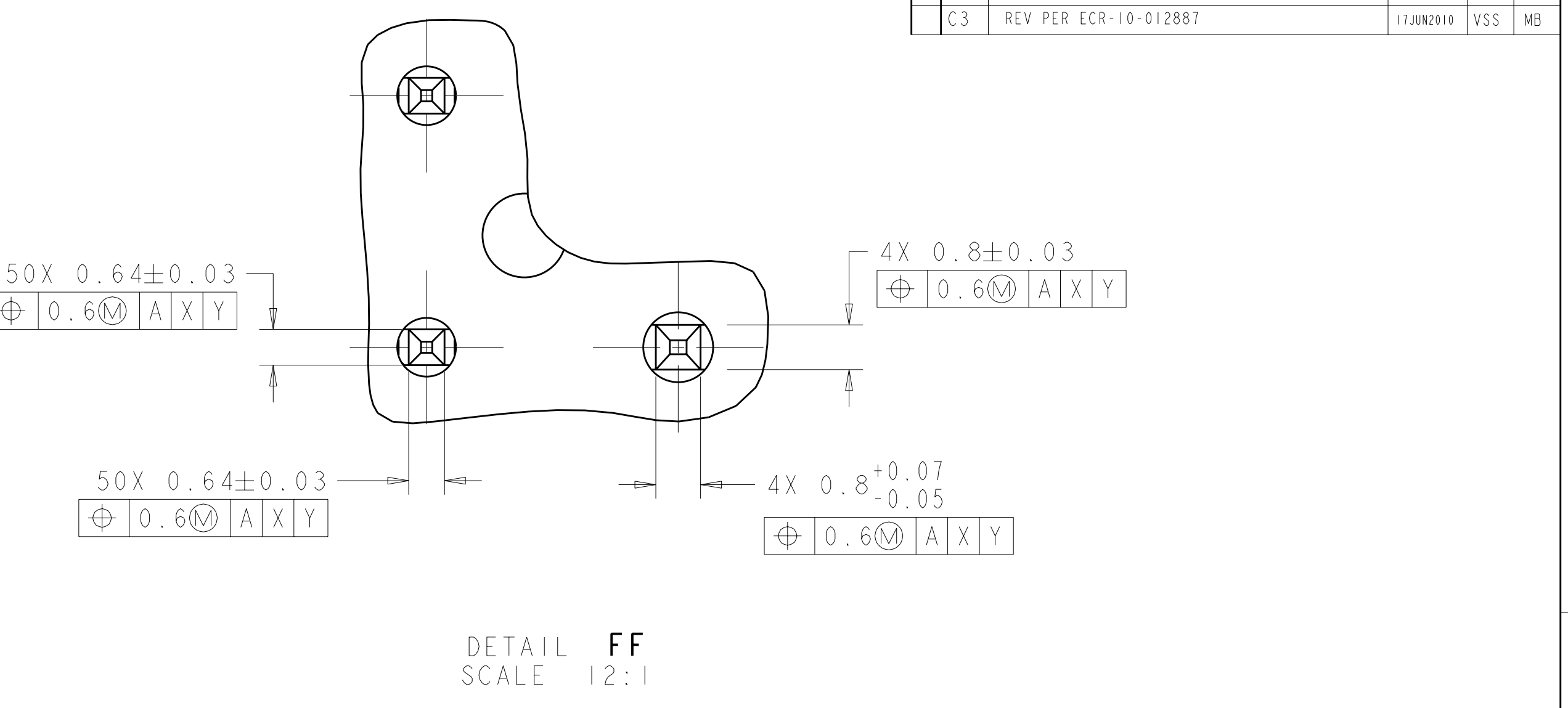
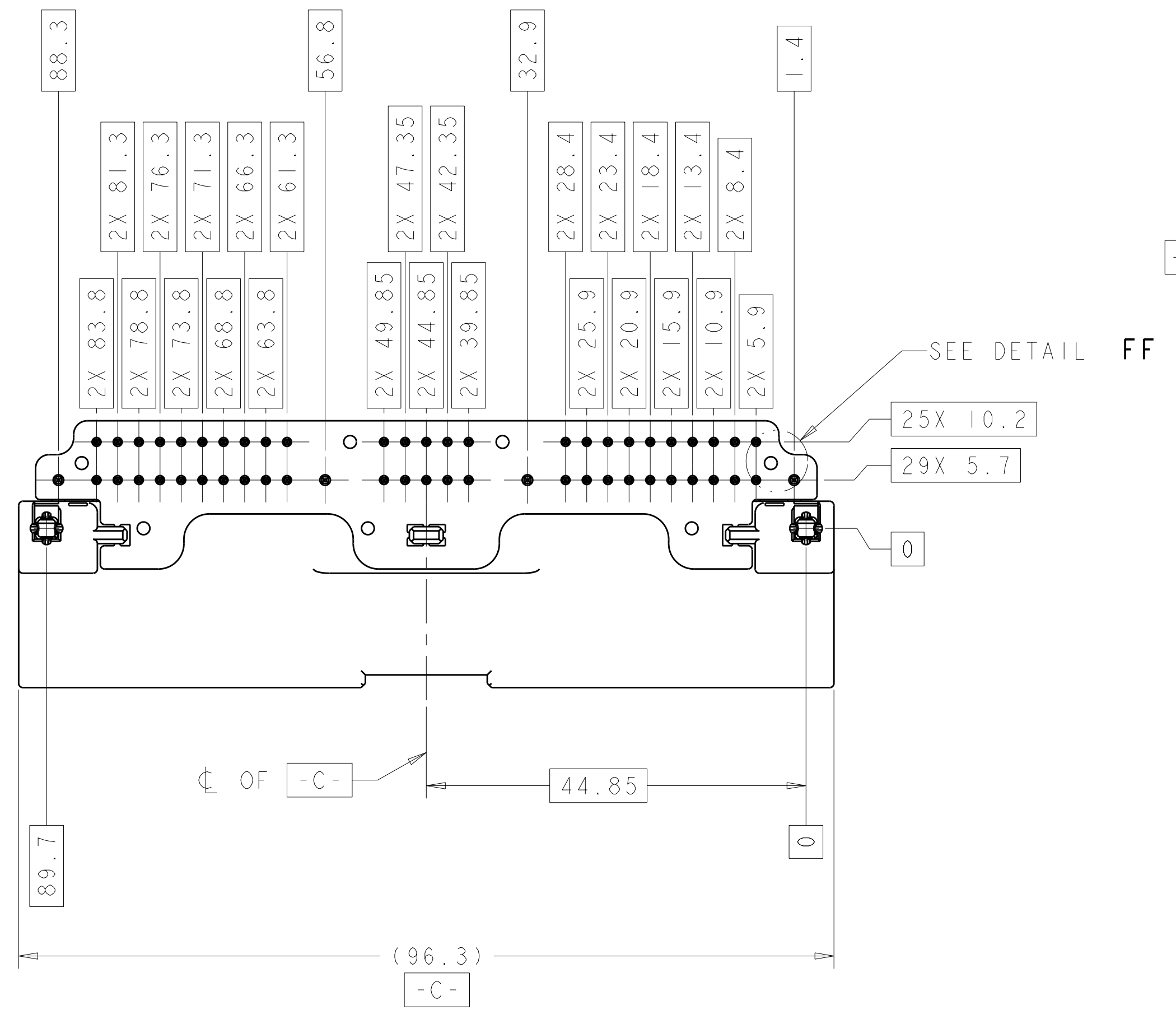
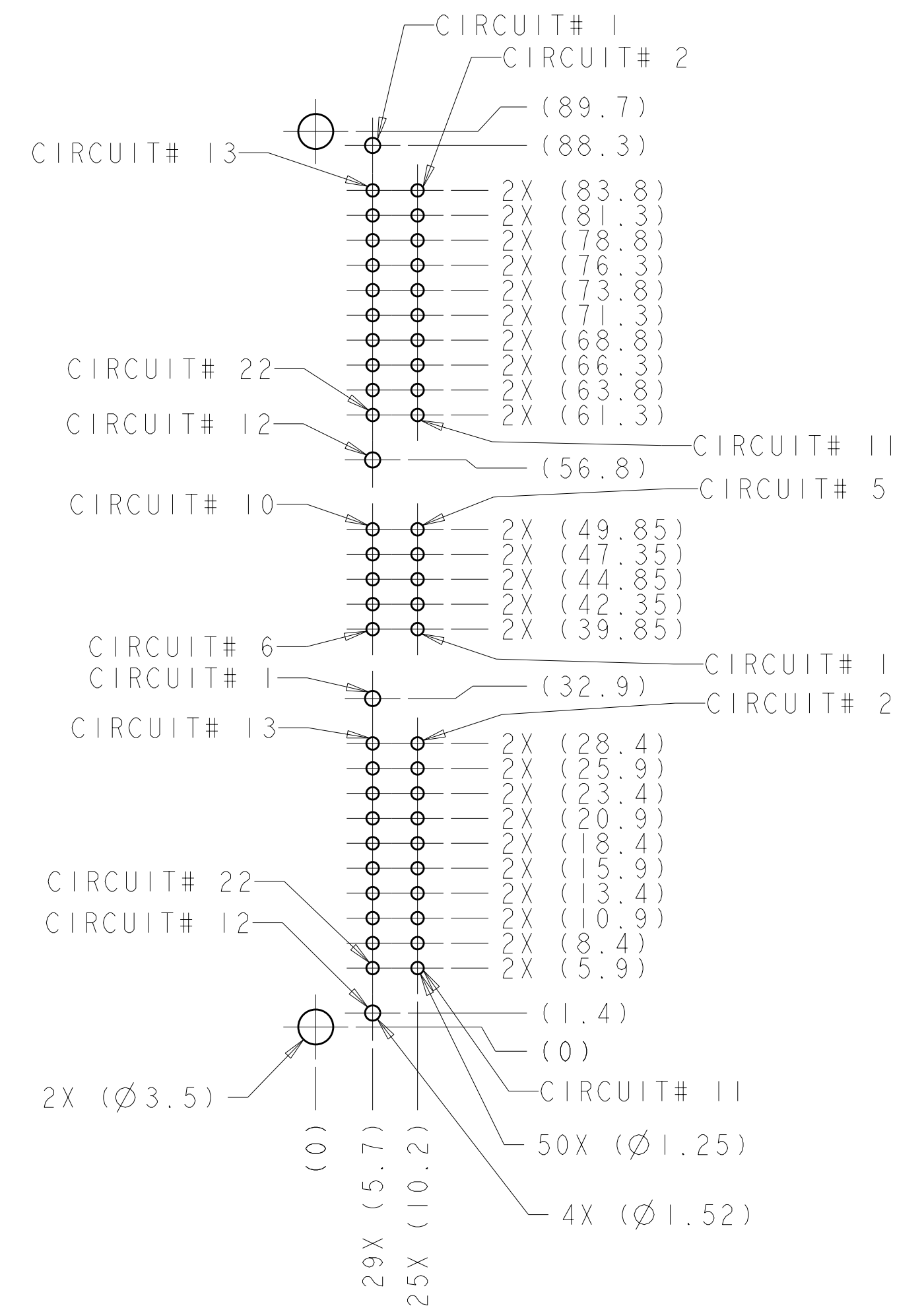
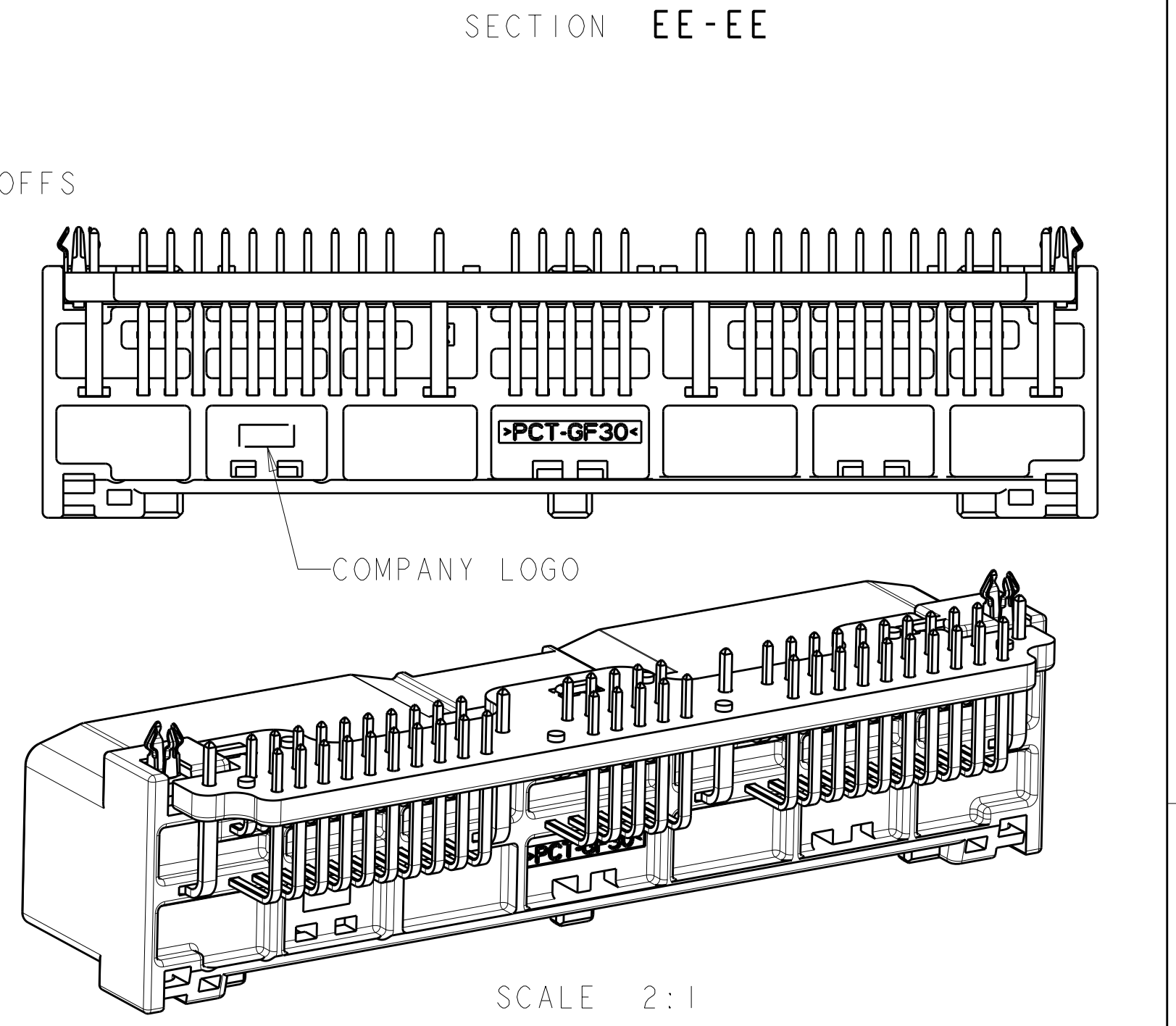
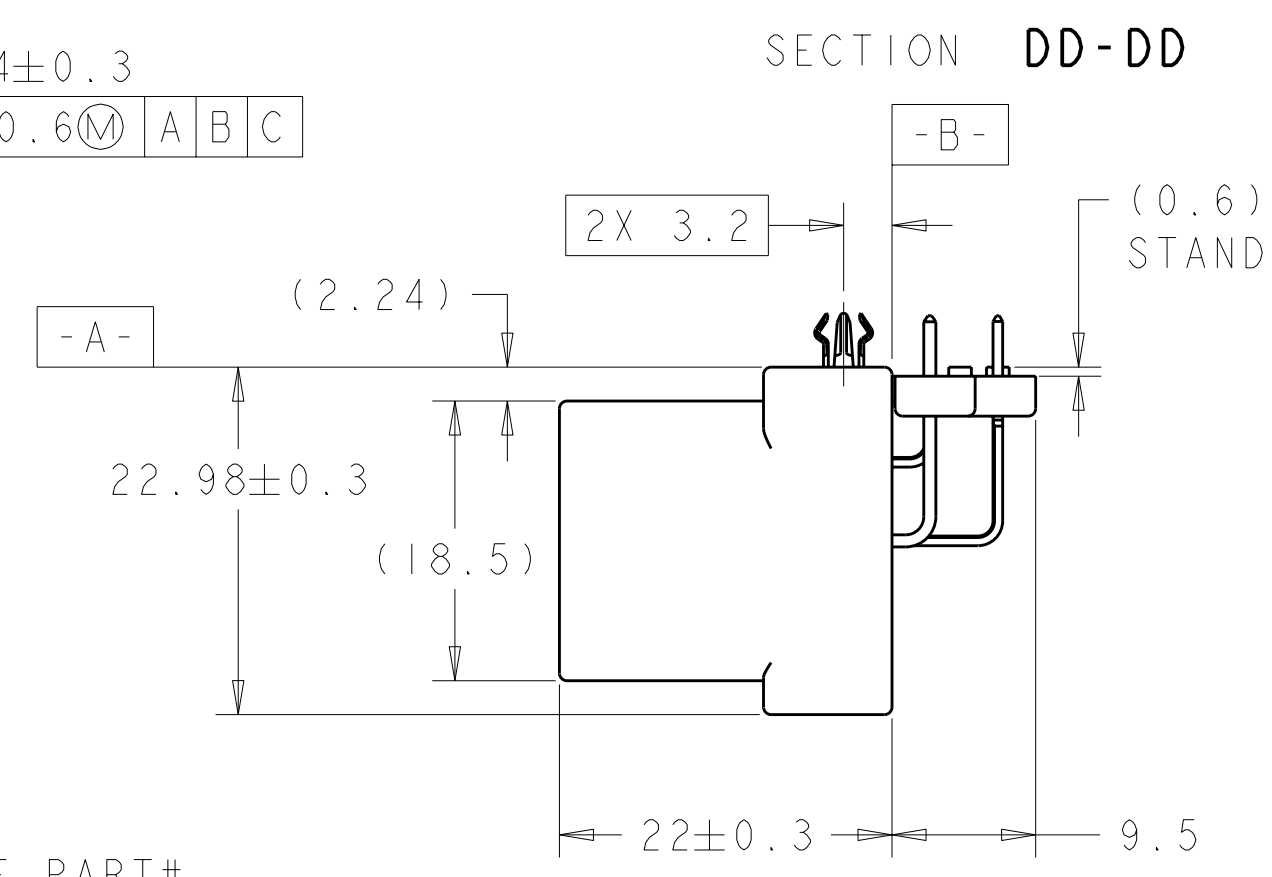
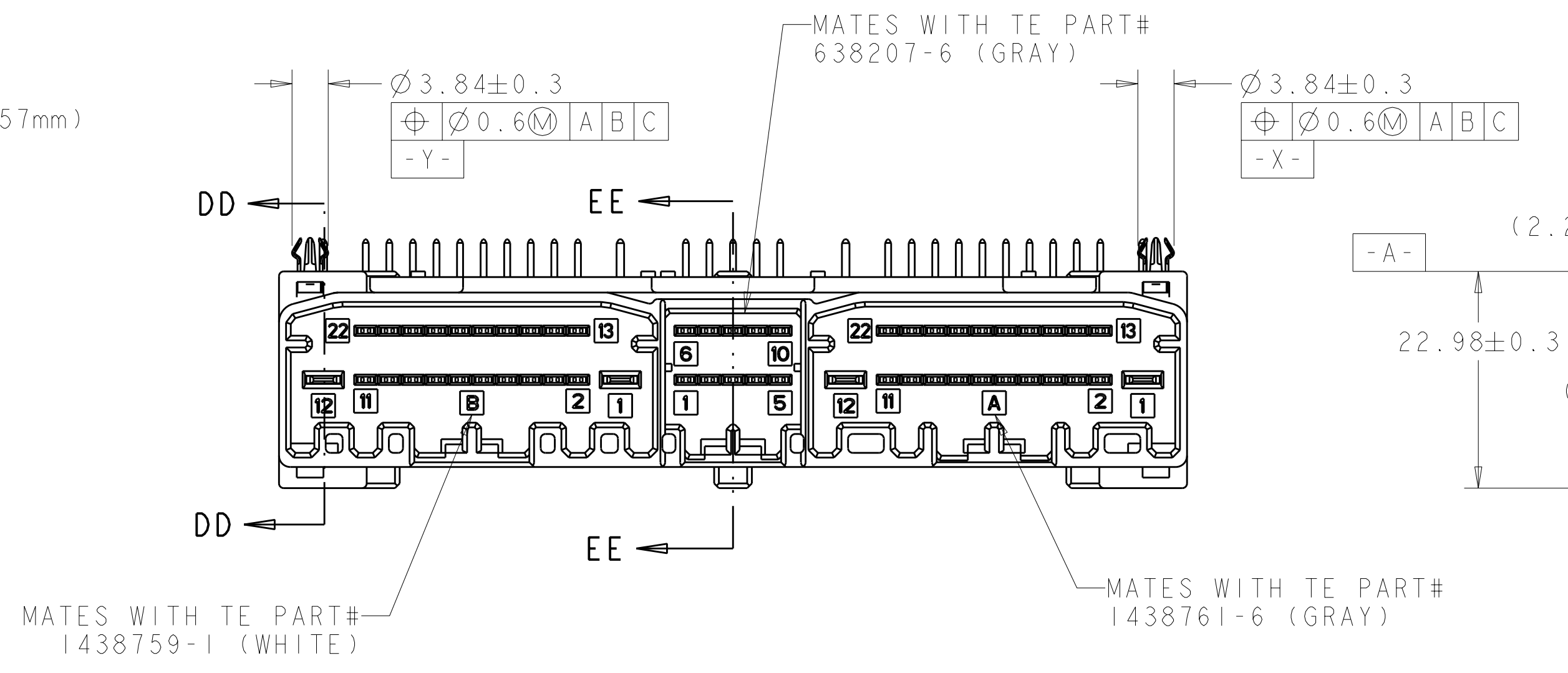


LOC	DIST	REV	DATE	BY	APPD
FX	00				
REVISIONS					
C		REV PER ECR-06-000886	09MAR2006	MBH	AV
C1		REV PER ECR-06-021177	21FEB2007	AH	CS
C2		REVISED PER ECO-09-028165	21DEC2009	DLD	MHB
C3		REV PER ECR-10-012887	17JUN2010	VSS	MB



PC BOARD LAYOUT  
 CONNECTOR SIDE  
 (RECOMMENDED BOARD THICKNESS 1.57mm)



NOTES:  
 △ MARK DATE CODE IN APPROXIMATE LOCATION.

PCT	GRAY	BRASS	PRE-TIN	BRASS	POST-TIN	PCT	GRAY	9-1438772-6
MATERIAL	FINISH	MATERIAL	FINISH	MATERIAL	FINISH	MATERIAL	COLOR	PART NO
TINE PLATE		BOARDLOCK		CONTACT		HOUSING		
DIMENSIONS:				TOLERANCES UNLESS OTHERWISE SPECIFIED:				DWN: M. HITCHCOCK 27 JUL 2004
mm				9 PLC ±0.0				CHK: A. VASINDLER 27 JUL 2004
				1 PLC ±0.3				APPD: T. MEHAFFEY 27 JUL 2004
				3 PLC ±0.1				NAME: Tyco Electronics
				4 PLC ±				Tyco Electronics
				ANGLES ±				Harrisburg, PA 17105-3608
MATERIAL SEE TABLE				FINISH SEE TABLE				PRODUCT SPEC: 54-WAY HYBRID
								APPLICATION SPEC: 040, 2.8 PINS UP CAP ASSEMBLY
								SIZE: 114-13158
								WEIGHT: -
								CUSTOMER DRAWING: A1 00779 C=1438772
								SCALE: 2:1 SHEET 1 OF 1 REV: C3