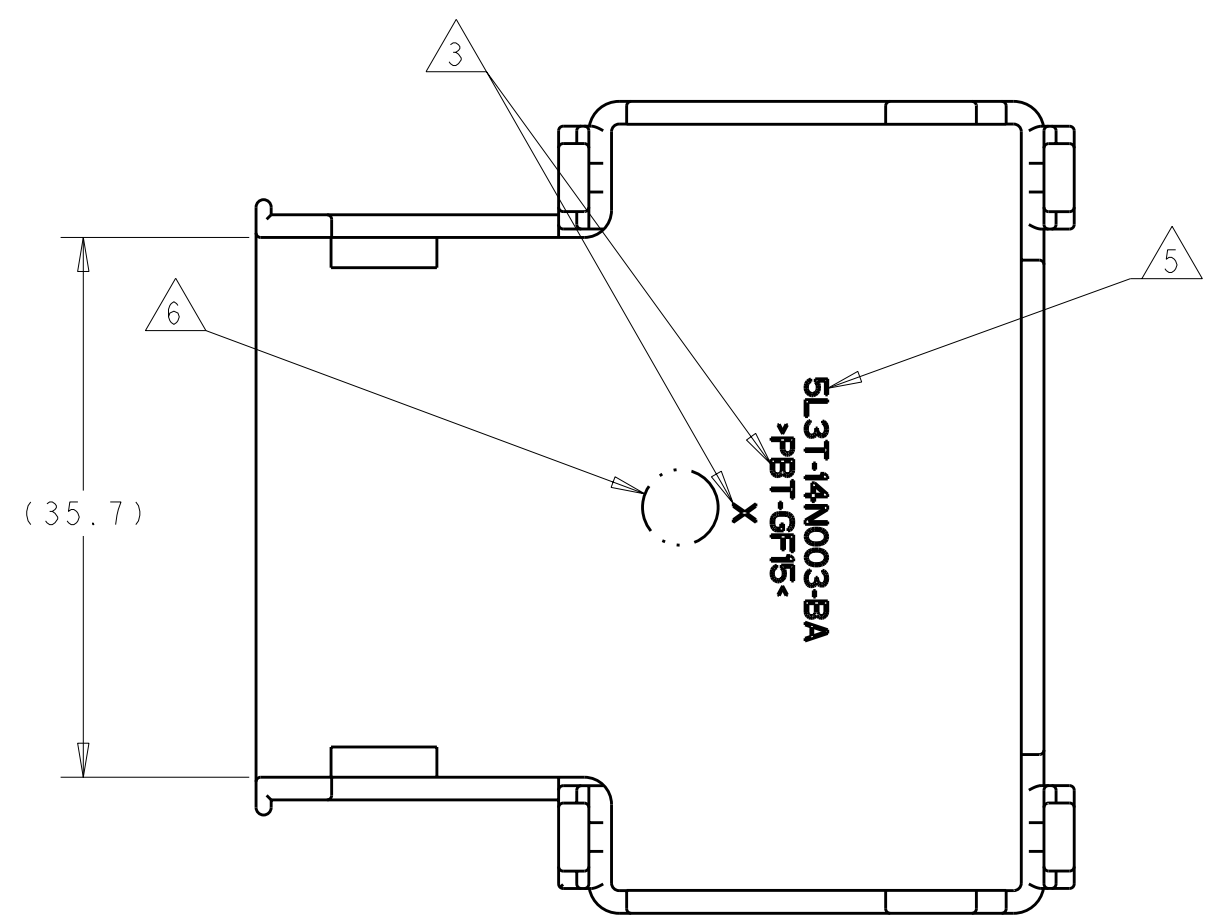
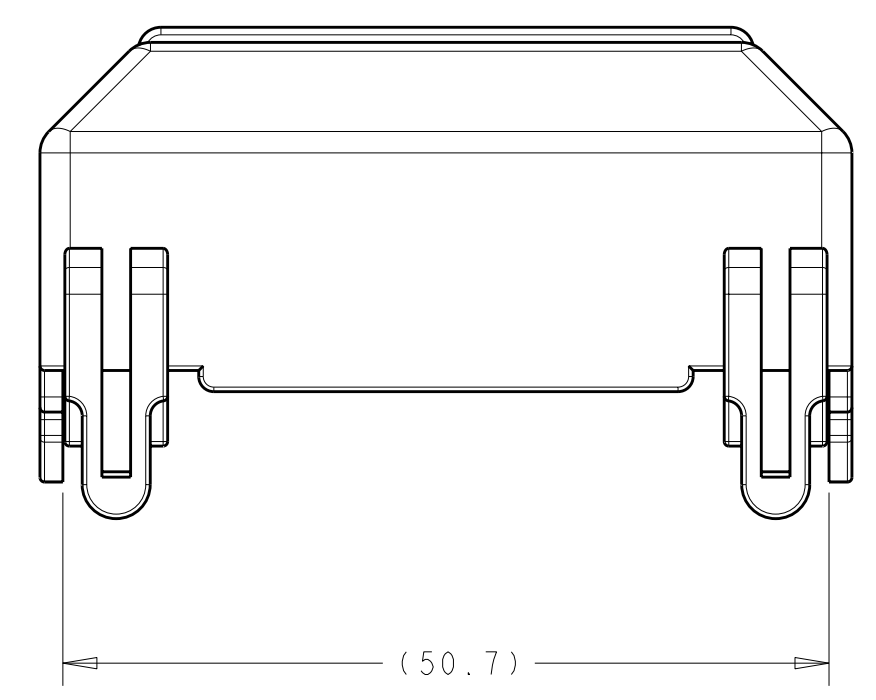
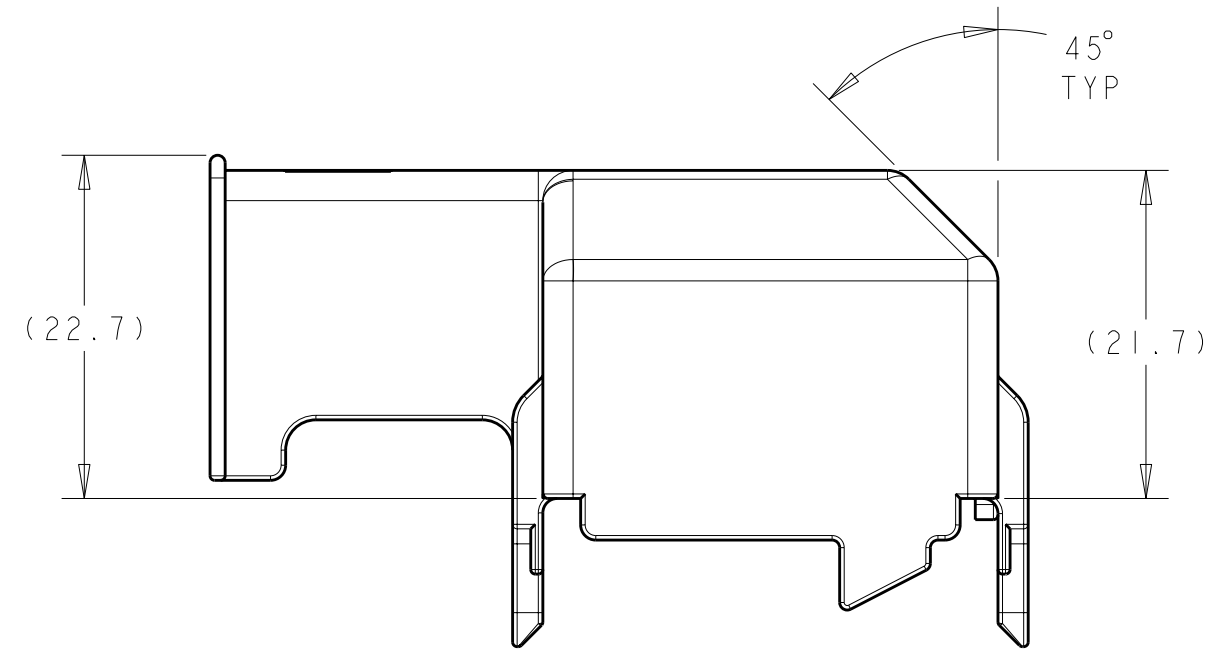
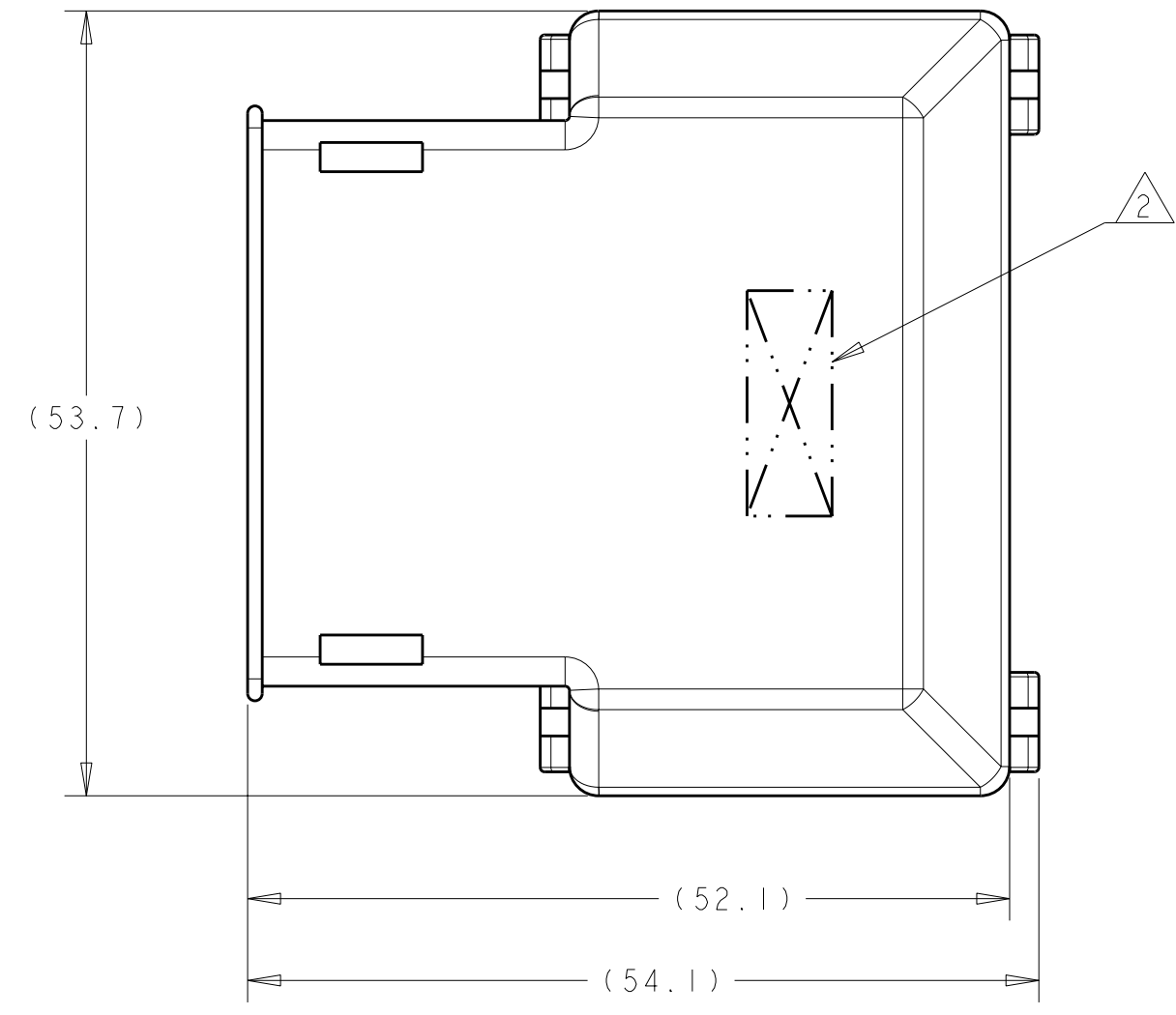
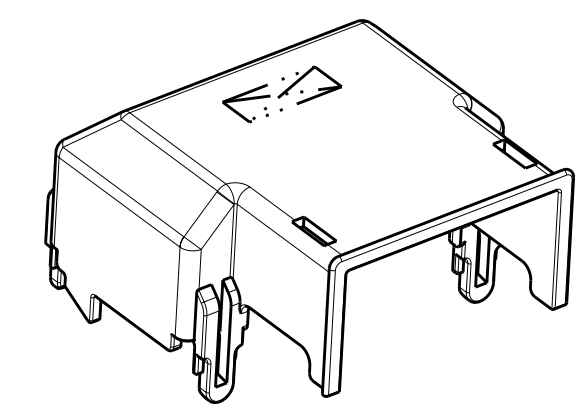


THIS DRAWING IS UNPUBLISHED. RELEASED FOR PUBLICATION 20
 © COPYRIGHT 20 BY TYCO ELECTRONICS CORPORATION. ALL RIGHTS RESERVED.

LOC	DIST	REVISIONS			
P	LTR	DESCRIPTION	DATE	DWN	APVD
	A	RELEASED PER DR D05-138	01FEB2006	DLD	AJV
	A1	REV PER ECO-10-015982	10AUG2010	HM	DCM



- NOTE(S):
- 1 MATERIAL : PBT-GF15
COLOR : BLACK
 - 2 COMPANY LOGO LOCATED APPROXIMATELY AS SHOWN.
 - 3 MOLD CAVITY I.D. & RECYCLING CODE >PBT-GF15< AS SHOWN.
 - 4. 25% MAXIMUM REGRIND.
 - 5 FORD PART NUMBER APPROXIMATELY AS SHOWN, SEE TABLE.
 - 6 DATE CODE APPROXIMATELY AS SHOWN.



5L3T-14N003-BA		1438133-1	
CUSTOMER PART NO.		PART NUMBER	
Tyco Electronics Harrisburg, PA 17105-3608		NAME	
DWN DL DRUMMOND 01FEB2006 CHK AJ VALASEK 01FEB2006 APVD AJ VALASEK 01FEB2006		70-WAY WIRE DRESSING	
SIZE	CAGE CODE	DRAWING NO.	RESTRICTED TO
A200779	C-1438133		-
CUSTOMER DRAWING		SCALE 2:1	SHEET 1 OF 1 REV A1

THIS DRAWING IS A CONTROLLED DOCUMENT FOR TYCO ELECTRONICS CORPORATION IT IS SUBJECT TO CHANGE AND THE CONTROLLING ENGINEERING ORGANIZATION SHOULD BE CONTACTED FOR THE LATEST REVISION.	
DIMENSIONS:	TOLERANCES UNLESS OTHERWISE SPECIFIED:
mm	0 PLC ±-
	1 PLC ±0.3
	2 PLC ±0.10
	3 PLC ±-
	4 PLC ±-
	ANGLES ±-
	FINISH ±-
MATERIAL	