

THIS DRAWING IS UNPUBLISHED. RELEASED FOR PUBLICATION 2001  
 BY - ALL RIGHTS RESERVED.

REVISIONS					
P	LTR	DESCRIPTION	DATE	DWN	APVD
C2		REV PER ECO-09-026495	30NOV09	KK	AEG
C3		ECR-10-026537	08JUL11	KK	HMR
C4		ECN-24-277698	31JUL24	RK	FJS

NOTES	MATERIAL	DESCRIPTION	SUPERSEDED BY P/N	TE P/N		
SEE SHEET 5	MATERIAL: GLASSFIBER FILLED THERMOPLASTIC UL 94-V1 COLOUR: BLACK	PANEL MOUNT RECEPTACLE ASS'Y FOR SOCKET CONTACT	0-182920-1	7-1437723-6		
-		-	-	7-1437723-4		
-		-	-	0-182641-1	4-1437723-0	
-		-	-	0-211769-1	3-1437723-8	
-		-	-	0-182921-1	0-1437723-9	
-		-	PANEL MOUNT RECEPTACLE ASS'Y FOR PIN CONTACT	0-182918-1	7-1437723-2	
-		-	-	0-183075-1	7-1437723-0	
-		-	-	0-183040-1	3-1437723-6	
SEE SHEET 4	MATERIAL: GLASSFIBER FILLED THERMOPLASTIC UL 94-V1 COLOUR: BLACK	RECEPTACLE ASS'Y FOR SOCKET CONTACT	0-211767-1	0-1437820-7		
-		-	0-182917-1	0-1437723-7		
-		-	0-206306-2	6-1437723-9		
-		-	-	6-1437723-8		
-		-	RECEPTACLE ASS'Y FOR PIN CONTACT	0-206043-3	3-1437723-4	
SEE SHEET 4		-	-	0-211769-3	3-1437723-3	
SEE SHEET 4		-	-	0-183083-1	0-1437723-6	
-		-	-	0-206151-2	0-1437820-5	
-		-	-	0-206838-2	6-1437723-7	
-		-	-	-	3-1437723-2	
SEE SHEET 3	SEE RELEVANT DRAWINGS	KEYING PLUG	0-182919-1	0-1437723-5		
-	SEE RELEVANT DRAWINGS	-	0-183046-1	6-1437718-0		
-	-	-	0-183047-1	-		
-	-	PLUG ASS'Y FOR PIN CONTACT	0-182926-1	6-1437723-1		
-	-	-	-	5-1437723-9		
-	-	-	0-182649-1	2-1437723-5		
-	-	-	0-211768-1	2-1437723-3		
-	-	-	0-182651-1	0-1437723-1		
-	SEE RELEVANT DRAWINGS	PLUG ASS'Y FOR SOCKET CONTACT	0-182923-1	6-1437723-5		
-	-	-	0-183073-1	6-1437723-3		
-	-	-	0-183039-1	2-1437723-9		
-	-	-	0-211766-1	2-1437723-7		
-	-	-	0-182647-1	0-1437723-3		
-	SEE RELEVANT DRAWINGS	STRAIN RELIEF	0-054012-1	9-1437723-2		
-	-	-	0-054011-1	4-1437723-3		
-	-	-	0-054010-1	0-1437820-8		
-	SEE RELEVANT DRAWINGS	PANEL MOUNT SEALING GASKET	0-081665-5	1-1437727-5		
-	-	-	0-081665-2	7-1437726-0		
-	-	-	0-081665-3	2-1437726-9		
-	SEE RELEVANT DRAWINGS	SEALING RING	0-206403-3	8-1437723-5		
-	-	-	0-206403-2	5-1437723-2		
-	-	-	0-206403-1	1-1437723-7		
-	SEE RELEVANT DRAWINGS	SEALING CUP (RECEPTACLE)	0-208680-1	9-1437723-6		
-	-	-	0-208652-1	9-1437723-1		
-	-	-	0-208800-1	1-1437723-2		
SEE SHEET 2	MATERIAL: GLASSFIBER FILLED THERMOPLASTIC UL 94-V1 COLOUR: BLACK	SEALING CAP (PLUG)	-	9-1437723-7		
-			-	0-183041-1	9-1437723-8	
-	MATERIAL: GLASSFIBER FILLED THERMOPLASTIC UL 94-V1 COLOUR: BLACK	BACKSHELL PG THREAD	-	8-1437723-2		
-			-	-	7-1437723-9	
-			-	-	4-1437723-7	
-			-	-	4-1437723-4	
-			-	-	1-1437723-4	
-			-	-	0-182930-1	8-1437723-6
-			-	-	0-182652-1	8-1437723-8
-			-	-	0-182661-1	5-1437723-6
-	SEE RELEVANT DRAWINGS	BACKSHELL CABLE CLAMP	0-182655-1	5-1437723-3		
-			-	0-182928-1	2-1437723-0	
-			-	0-182658-1	1-1437723-8	
-			-	-	-	

OBSOLETE

3

SUPERSEDED 2

3

OBSOLETE

3

- 1 PARTS SUPERSEDED BY: CPC Series 1 SEE P/NS FOR REFERENCE
- 2 OBSOLETE PARTS: OBSOLETE CIS STREAMLINING PER D.RENAUD/D.SINISI
- 3 OBSOLETE

THIS DRAWING IS A CONTROLLED DOCUMENT FOR TTD ELECTRONICS CORPORATION IT IS SUBJECT TO CHANGE AND THE CONTROLLING ENGINEERING ORGANIZATION SHOULD BE CONTACTED FOR THE LATEST REVISION.

DIMENSIONS: mm

TOLERANCES UNLESS OTHERWISE SPECIFIED:

0 PLC	±
1 PLC	±0.3
2 PLC	±
3 PLC	±
4 PLC	±
ANGLES	±°
FINISH	-

MATERIAL: -

DWN: R. FABRIS 21SEP2001  
 CHK: C. TARTARI  
 APVD: -

TE Connectivity

NAME: CIRCULAR PLASTIC CONNECTOR T10 SERIES PLUGS, RECEPTACLES, ACCESSORIES

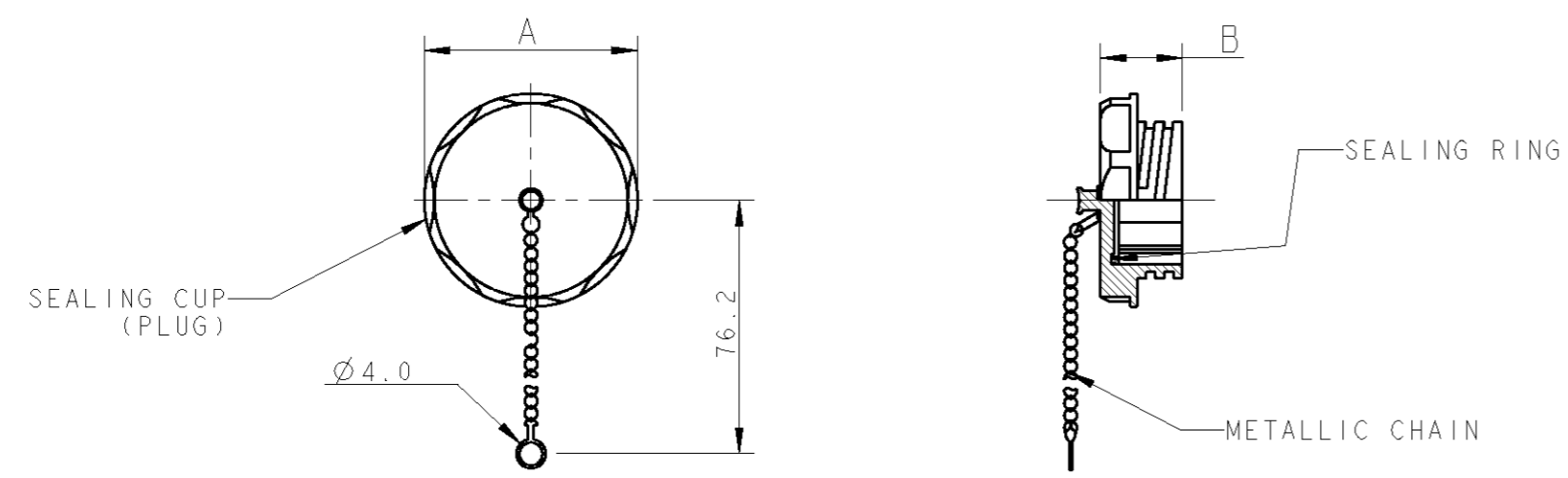
SIZE: A2 CAGE CODE: 00779 DRAWING NO: 1437723 RESTRICTED TO: -

CUSTOMER DRAWING SCALE: - SHEET 1 OF 5 REV: C4

THIS DRAWING IS UNPUBLISHED. RELEASED FOR PUBLICATION 2001  
 © COPYRIGHT 2001 BY - ALL RIGHTS RESERVED.

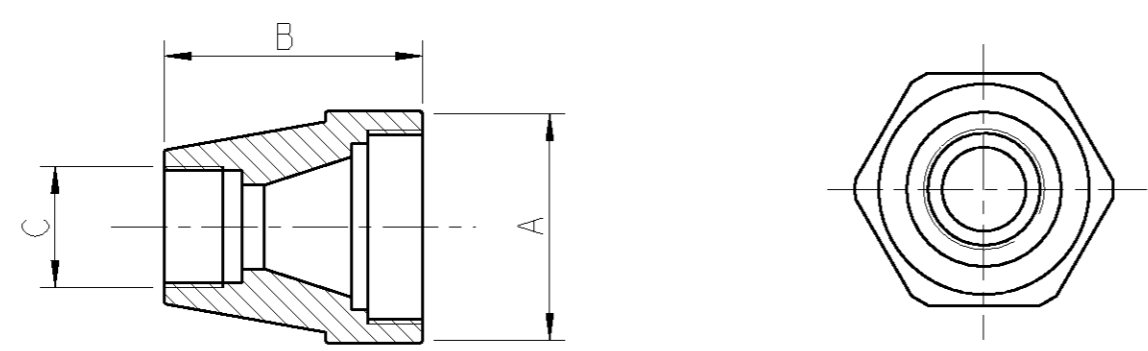
LOC	DIST	REVISIONS			
P	LTR	DESCRIPTION	DATE	DWN	APVD
-	-	SEE SHEET 1	-	-	-

SEALING CAP, PLUG



-	-	17.3	44.2	23	SEALING CAP, PLUG	9-1437723-7	A
---	---	------	------	----	-------------------	-------------	---

BACKSHELL WITH PG THREAD



-	PG21	43.0	40.0	23	BACKSHELL WITH PG THREAD	8-1437723-2	A
-	PG16	43.0	40.0		BACKSHELL WITH PG THREAD	7-1437723-9	A
-	PG13.5	43.0	30.0	17	BACKSHELL WITH PG THREAD	4-1437723-7	A
-	PG11	43.0	30.0		BACKSHELL WITH PG THREAD	4-1437723-4	A
-	PG9	43.0	21.5	11	BACKSHELL WITH PG THREAD	<sup>3</sup> 1-1437723-4	A

CABLE Ø RANGE	C	B	A	SIZE	DESCRIPTION	TE P/N	REV
---------------	---	---	---	------	-------------	--------	-----

THIS DRAWING IS A CONTROLLED DOCUMENT FOR TEO ELECTRONICS CORPORATION IT IS SUBJECT TO CHANGE AND THE CONTROLLING ENGINEERING ORGANIZATION SHOULD BE CONTACTED FOR THE LATEST REVISION.

DWN: R. FABRIS 21SEP2001  
 CHK: C. TARTARI  
 APVD: -

NAME: CIRCULAR PLASTIC CONNECTOR T10 SERIES ACCESSORIES

SIZE: A2 CAGE CODE: 00779 DRAWING NO: 1437723 RESTRICTED TO: -

MATERIAL: - FINISH: -

PRODUCT SPEC: -  
 APPLICATION SPEC: -  
 WEIGHT: -

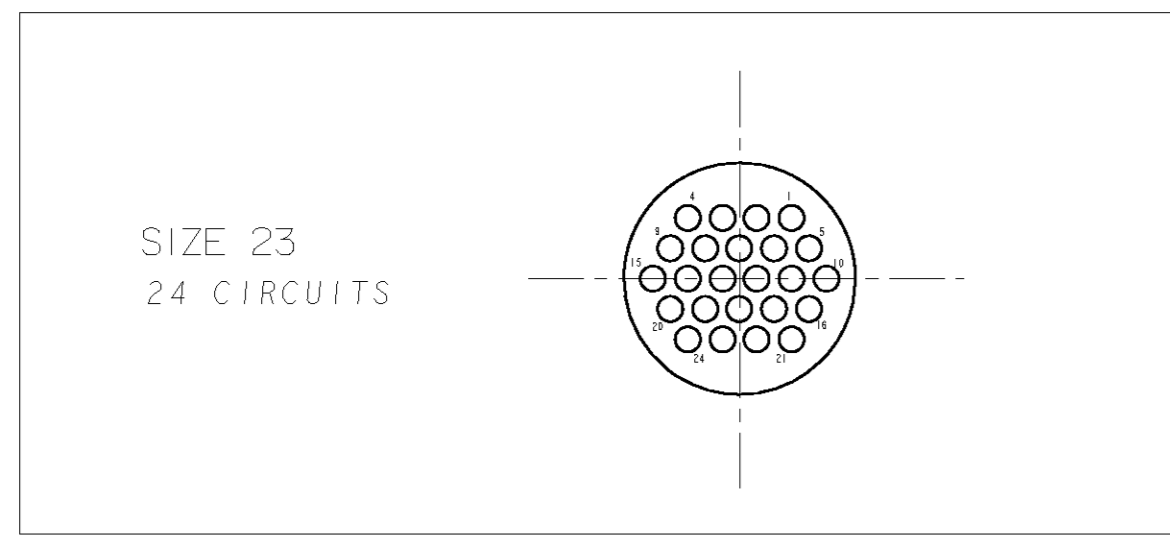
CUSTOMER DRAWING SCALE: - SHEET 2 OF 5 REV C4

DIMENSIONS:		TOLERANCES UNLESS OTHERWISE SPECIFIED:	
mm		0 PLC	±
		1 PLC	±0.3
		2 PLC	±
		3 PLC	±
		4 PLC	±
		ANGLES	±°
		FINISH	-

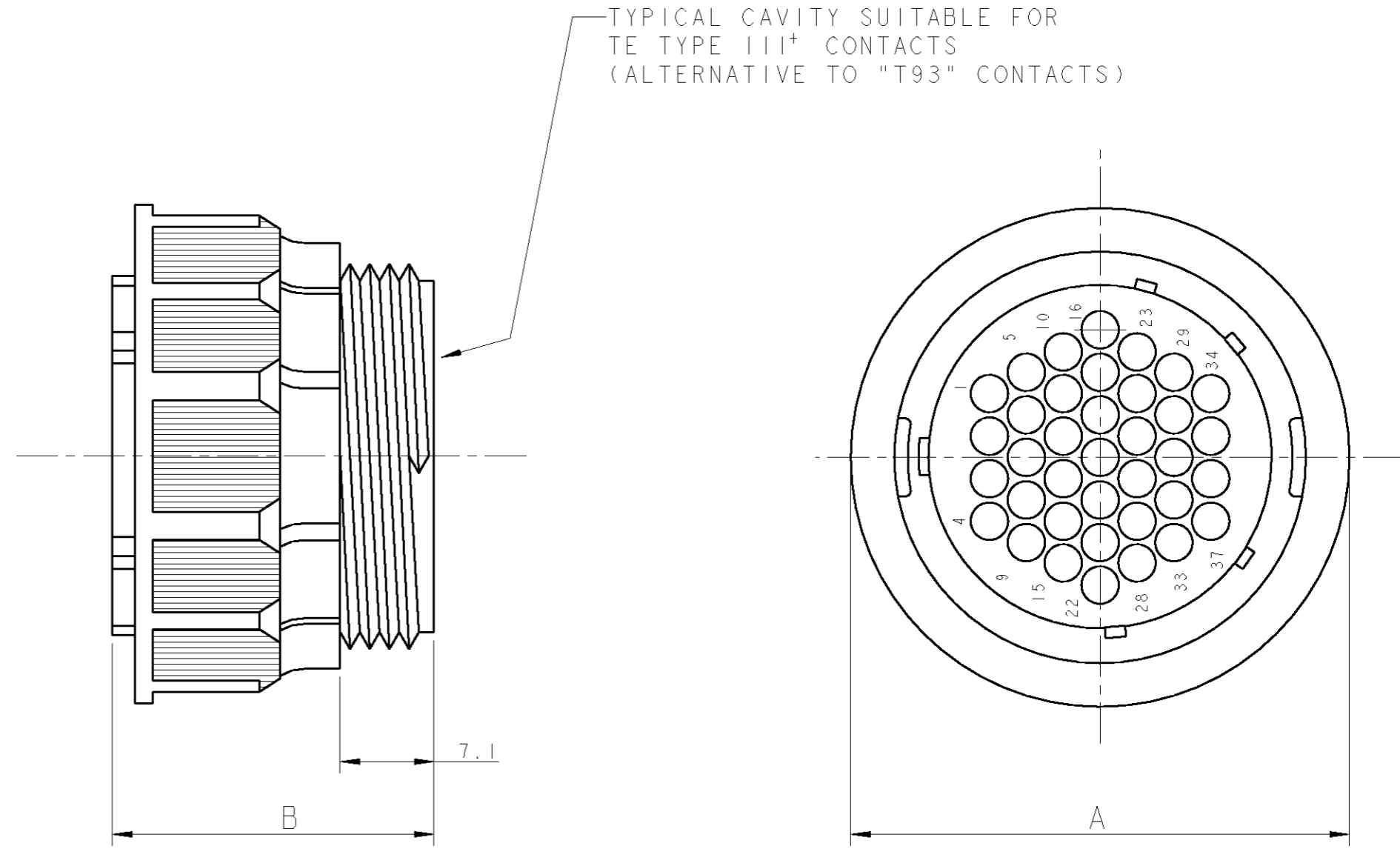
THIS DRAWING IS UNPUBLISHED. RELEASED FOR PUBLICATION 2001  
 © COPYRIGHT 2001 BY - ALL RIGHTS RESERVED.

LOC	DIST	REVISIONS			
P	LTR	DESCRIPTION	DATE	DWN	APVD
-	-	SEE SHEET 1	-	-	-

CIRCUIT LAYOUT (View from "X")



"X" →



0-183047-1	3.6	34.0	44.5	24	23	PLUG ASS'Y FOR PIN CONTACT	5-1437723-9	A
KEYING PLUG (FOR REF. ONLY)	Ø MAX ALLOWABLE WIRE INS.	B	A	No. OF CIRCUITS	SIZE	DESCRIPTION	TE P/N	REV

THIS DRAWING IS A CONTROLLED DOCUMENT FOR TEO ELECTRONICS CORPORATION IT IS SUBJECT TO CHANGE AND THE CONTROLLING ENGINEERING ORGANIZATION SHOULD BE CONTACTED FOR THE LATEST REVISION.

DWN: R. FABRIS 21SEP2001  
 CHK: C. TARTARI  
 APVD: -

TE Connectivity

CIRCULAR PLASTIC CONNECTOR T10 SERIES PLUG ASS'Y

SIZE: A2 CAGE CODE: 00779 DRAWING NO: 1437723 RESTRICTED TO: -

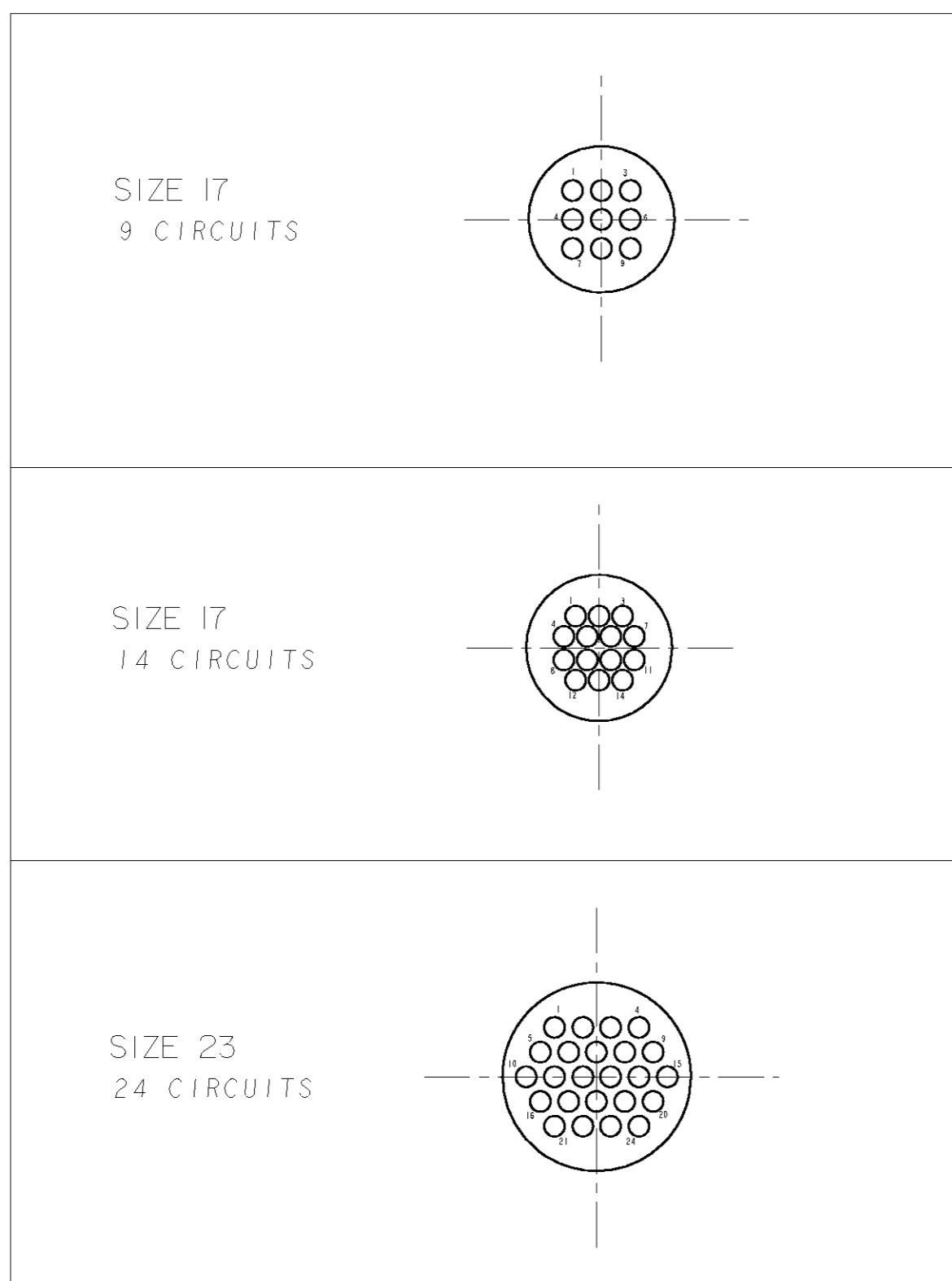
CUSTOMER DRAWING SCALE: - SHEET 3 OF 5 REV C4

DIMENSIONS:		TOLERANCES UNLESS OTHERWISE SPECIFIED:	
mm		0 PLC	±
		1 PLC	±0.3
		2 PLC	±
		3 PLC	±
		4 PLC	±
		ANGLES	±°
MATERIAL	-	FINISH	-

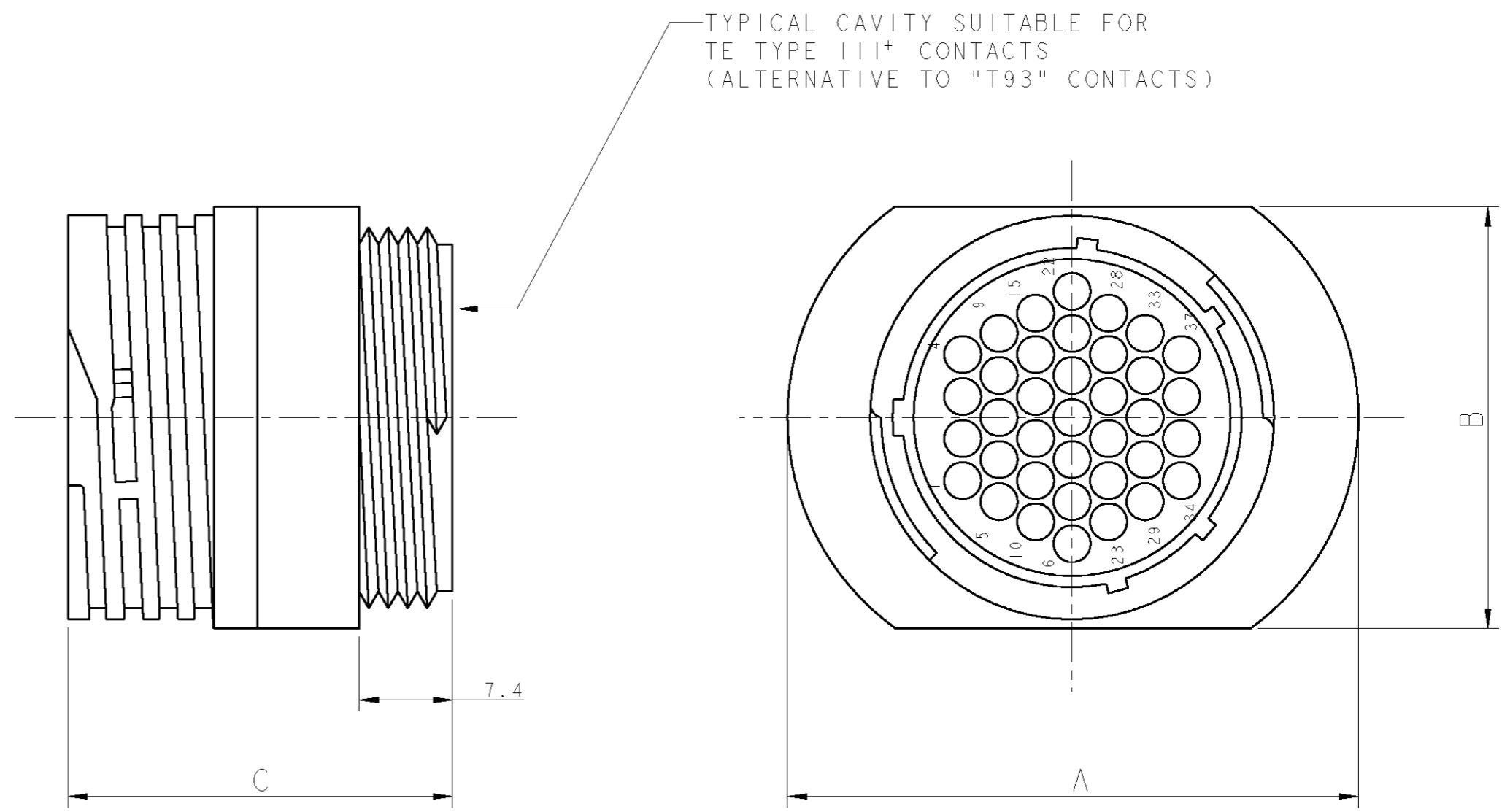
THIS DRAWING IS UNPUBLISHED. RELEASED FOR PUBLICATION 2001  
 © COPYRIGHT 2001 BY - ALL RIGHTS RESERVED.

LOC	DIST	REVISIONS			
P	LTR	DESCRIPTION	DATE	DWN	APVD
-	-	SEE SHEET 1	-	-	-

CIRCUIT LAYOUT (View from "X")



"X" →



0-183046-1	3.6	26.9	37.8	43.9	24	23	RECEPTACLE ASS'Y FOR SOCKET CONTACT	3-1437723-0	A
	2.8	33.8	29.5	33.3	14	17	RECEPTACLE ASS'Y FOR PIN CONTACT	3-1437723-2	A
0-183047-1	3.6	33.8	29.5	33.3	9	17	RECEPTACLE ASS'Y FOR PIN CONTACT	3-1437723-1	A
KEYING PLUG (FOR REF. ONLY)	Ø MAX ALLOWABLE WIRE INS.	C	B	A	No. OF CIRCUITS	SIZE	DESCRIPTION	TE P/N	REV

THIS DRAWING IS A CONTROLLED DOCUMENT FOR TEO ELECTRONICS CORPORATION. IT IS SUBJECT TO CHANGE AND THE CONTROLLING ENGINEERING ORGANIZATION SHOULD BE CONTACTED FOR THE LATEST REVISION.

DWN: R. FABRIS 21SEP2001  
 CHK: C. TARTARI  
 APVD: -

**STE** TE Connectivity

NAME: CIRCULAR PLASTIC CONNECTOR T10 SERIES RECEPTACLE ASS'Y

SIZE: A2 CAGE CODE: 00779 DRAWING NO: 1437723 RESTRICTED TO: -

MATERIAL: - DIMENSIONS: mm TOLERANCES UNLESS OTHERWISE SPECIFIED: 0 PLC ±, 1 PLC ±0.3, 2 PLC ±, 3 PLC ±, 4 PLC ±, ANGLES ±°, FINISH: -

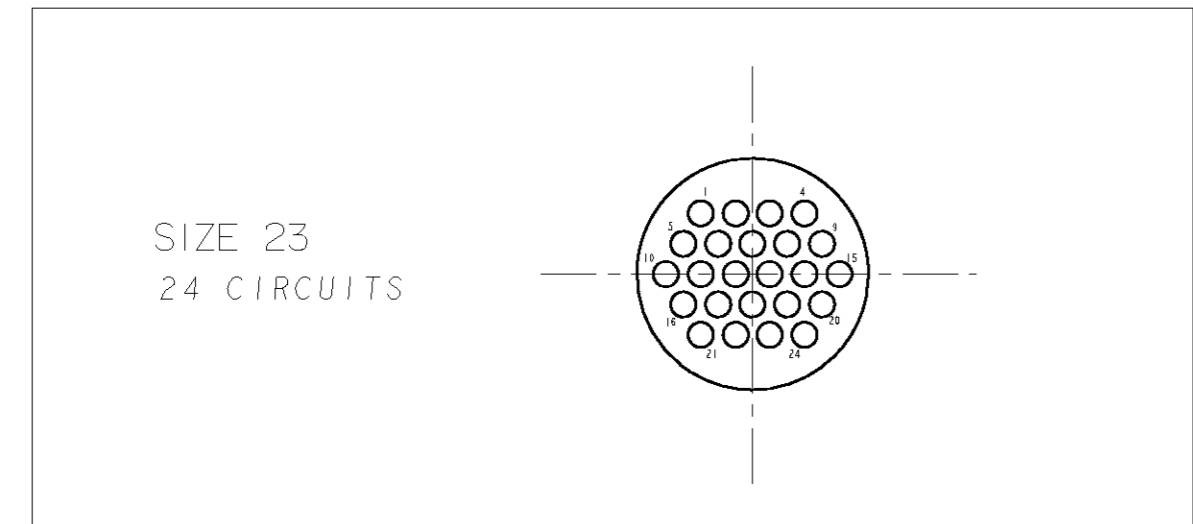
PRODUCT SPEC: - APPLICATION SPEC: - WEIGHT: -

CUSTOMER DRAWING SCALE: - SHEET 4 OF 5 REV C4

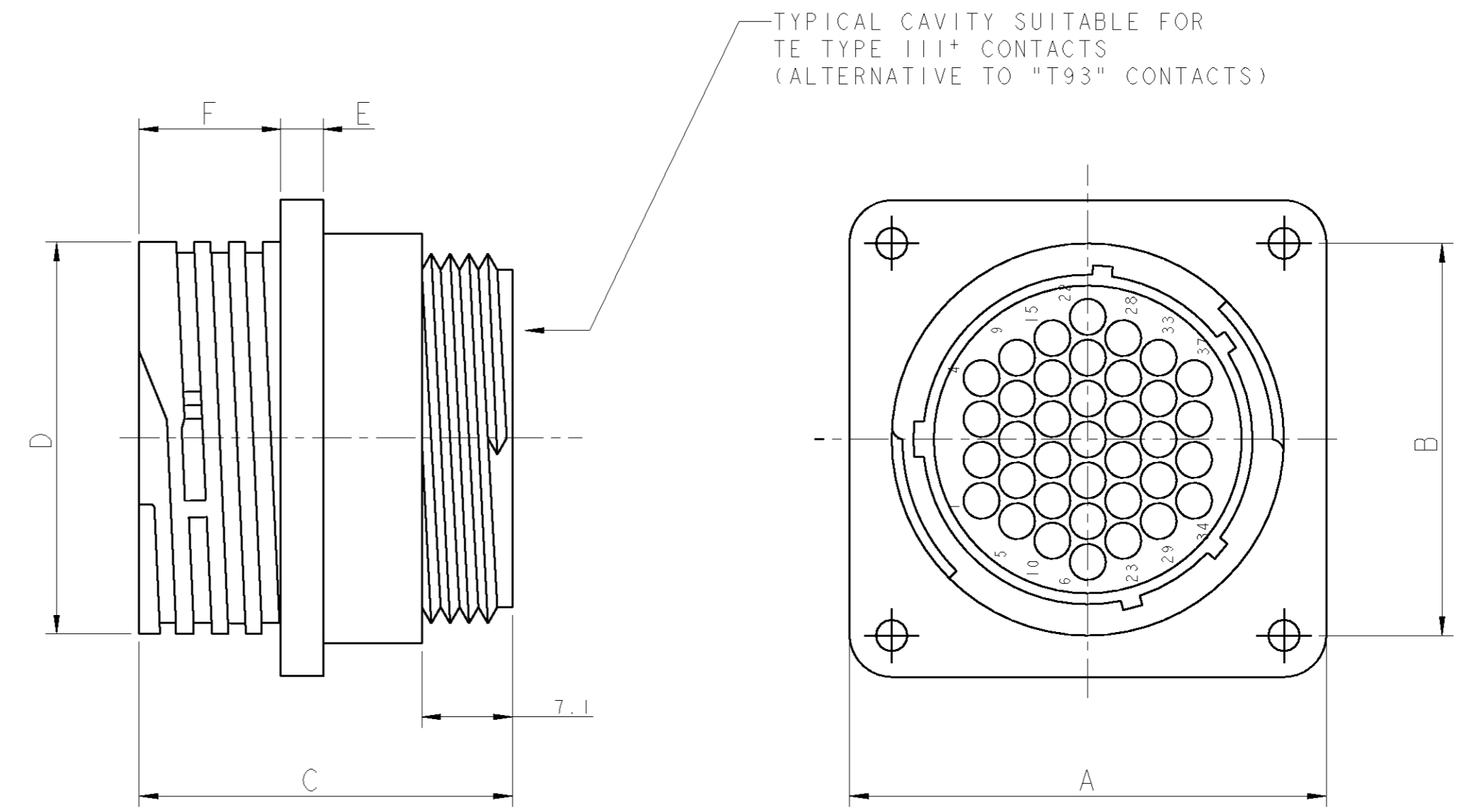
THIS DRAWING IS UNPUBLISHED. RELEASED FOR PUBLICATION 2001  
 © COPYRIGHT 2001 BY - ALL RIGHTS RESERVED.

LOC	DIST	REVISIONS			
P	LTR	DESCRIPTION	DATE	DWN	APVD
-	-	SEE SHEET 1	-	-	-

CIRCUIT LAYOUT (View from "X")



"X" →



0-183046-1	3.6	13.5	4.1	36.3	26.9	36.6	44.5	38.6	24	23	PANEL MOUNT RECEPTACLE ASS'Y FOR SOCKET CONTACT	7-1437723-4	A
KEYING PLUG (FOR REF. ONLY)	Ø MAX ALLOWABLE WIRE INS.	F	E	D	C	B	A	PANEL CUT OUT Ø	No. OF CIRCUITS	SIZE	DESCRIPTION	TE P/N	REV

THIS DRAWING IS A CONTROLLED DOCUMENT FOR TEO ELECTRONICS CORPORATION IT IS SUBJECT TO CHANGE AND THE CONTROLLING ENGINEERING ORGANIZATION SHOULD BE CONTACTED FOR THE LATEST REVISION.

DWN: R. FABRIS 21SEP2001  
 CHK: C. TARTARI  
 APVD: -

**TE** TE Connectivity

NAME: CIRCULAR PLASTIC CONNECTOR T10 SERIES PANEL MOUNT RECEPTACLE ASS'Y

SIZE: A2 CAGE CODE: 00779 DRAWING NO: 1437723 RESTRICTED TO: -

CUSTOMER DRAWING SCALE: - SHEET 5 OF 5 REV C4

DIMENSIONS:		TOLERANCES UNLESS OTHERWISE SPECIFIED:	
mm		0 PLC ±	±°
		1 PLC ±0.3	
		2 PLC ±	
		3 PLC ±	
		4 PLC ±	
MATERIAL		FINISH	