

LOC AD	DIST 00	REVISIONS					
		P	LTR	DESCRIPTION	DATE	DWN	APVD
		A1		REVISED PER ECO-11-004587	21MAR11	RK	HMR

# 8058 & 8060 Series *Transistor Sockets*



8060-1G11



8060-1G6

**FEATURES:**

The 8058/8060 family of teflon sockets, with beryllium copper contacts, offers many features which allow them to be utilized in the most severe applications. Low profile for close board spacing, closed sleeve for 100% prevention of solder and flux wicking. A choice of many terminal styles for greater packaging selection and ease of use. Many of these sockets meet or exceed MIL-S-83502/2 and MIL-S-83502/5.



- Two-piece socket terminal - four fingered inner contact and machined outer sleeve
- Low profile for tight space applications
- Sockets accept 0,41/.016 to 0,51/.020 diameter leads
- Printed circuit, solder pocket and turret style terminations available
- Closed entry-design no distortion or damage to contact with misaligned or oversized leads

**MATERIAL SPECIFICATIONS:**

Insulator ..... Teflon  
 Sleeve ..... Brass  
 Contact Plating ..... Beryllium copper  
 Plating ..... Contact gold, sleeve gold

**PERFORMANCE SPECIFICATIONS:**

**MECHANICAL**

Vibration ..... Passed MIL-STD -1344, Method 2005, 15 G's, 10 to 2,000 cycles  
 Mechanical Shock ..... Passed MIL-STD -1344, Method 2004, 10 G's, 1 to 9,000 cycles  
 Durability ..... 50 Insertions and withdrawals, MIL-S-83502/ 1, Sec. 4.7.12  
 Insertion Force ..... 4.0 lb. max., .020 dia. +.0000 probe  
 Withdrawal Force ..... 14 Grams (1/2 oz.) min. .016 dia. +.0002 probe  
 Solderability ..... MIL-STD- 202, Method 208

**ELECTRICAL**

Bulk Contact  
 Resistance ..... 20 Milliohms max. per MIL-S-83502/1  
 Current Rating ..... 3 Amp DC, contact rating  
 Operating Voltage ..... 500 VDC @ atmospheric pressure  
 Dielectric Withstanding  
 Voltage ..... 600 VAC per MIL-STD -1344 , Method 3001  
 Insulation Resistance .... 2 x 10<sup>6</sup> Megohms, MIL-STD -1344, Method 3003  
 Capacitance ..... 2 pF Max., MIL-STD -202, Method 305

**ENVIRONMENTAL**

Operating Temperature .. -55°C to +125°C  
 Corrosive Atmosphere .. 30 milliohms, ammonium polysulfide 10 ppm per MIL-S-83502/1 Sec. 4.7.17  
 Moisture Resistance ..... 30 Milliohms max., MIL-STD -202, Method 106  
 Thermal Shock ..... MIL-STD -1344, Method 1003

**Thomas & Betts**

Quality & Innovation From **AUGAT**® Name Brand Products

H14

Thomas & Betts  
 1555 Lynnfield Road  
 Memphis, TN 38119  
 (901) 682-8221 FAX (901) 537-8805

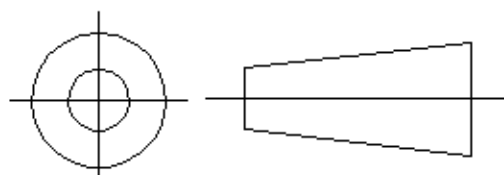
RELEASED FOR PUBLICATION

ALL RIGHTS RESERVED.

THIS DRAWING IS UNPUBLISHED.

© COPYRIGHT

DIMENSIONS: INCHES	DWN	R BROWN	28NOV2006	MATERIAL	-			FINISH	-	
	CHK	K DeBOCK	28NOV2006	TE Connectivity						
TOLERANCES UNLESS OTHERWISE SPECIFIED:	APVD	K DeBOCK	28NOV2006							
0 PLC ± -	PRODUCT SPEC			NAME						
1 PLC ± -	-			SOCKET, 8 PIN PRINTED CIRCUIT						
2 PLC ± -	APPLICATION SPEC			SIZE	CAGE CODE	DRAWING NO	RESTRICTED TO			
3 PLC ± -	-			A4	00779	©-1437508-5	-			
4 PLC ± -	WEIGHT			CUSTOMER DRAWING			SCALE	SHEET	REV	
ANGLES ± -	-			-			NTS	1 OF 4	A1	



LOC	DIST	REVISIONS					
AD	00	P	LTR	DESCRIPTION	DATE	DWN	APVD
				SEE SHEET 1			

# Transistor Sockets 8058 & 8060 Series

## PART NUMBER / STANDARD CONFIGURATIONS

Part Number	Figure	No. of Contacts	Pin Circle	A	B	C	D*	E*	F Max.	Terminal Style	Mounting Hole	Transistor Lead Length	Polarization Figure
M8058-45G1	1	3	.200	.200	.265	.373	.410	.160	.406	Turret			
M8058-1G29	3	3	.200	.200	.270	.373	.410	.140	.351	Solder Pocket	B	.156/.218	N
8058-1G23	3	3	.200	.200	.270	.373	.410	.140	.351				
8058-1G23	4	3	.200	.200	.270	.373	.410	.302	.544				
M8058-1G23	4	3	.200	.200	.270	.373	.410	.302	N/A	Printed Circuit			
8058-1G59	6	3	.200	.200	.165	N/A	.410	.125	N/A				
8058-38G6	6	3	.200	.200	.165	N/A	.410	.315	N/A			.125/.155	P
8058-1G62	7	3	.200	.200	.270	.373	.410	.500	.703	Wirewrap			
M8058-45G2	1	4	.200	.200	.265	.373	.410	N/A	.406	Turret	B	.156/.218	
M8058-1G30	3	4	.200	.200	.265	.373	.410	.140	.377	Solder Pocket			
8058-1G30	3	4	.200	.200	.270	.373	.410	.140	.347				
M8058-1G24	4	4	.200	.200	.270	.373	.410	.347	.550	Printed Circuit			
8058-1G24	4	4	.200	.200	.270	.373	.410	.317	.550				
8058-1G63	7	4	.200	.200	.270	.373	.410	.500	.703	Wirewrap		.125/.155	
8058-1G58	2	5	.200	.200	.270	.373	.410	.094	.331	Turret			N
8058-1G61	3	5	.200	.200	.270	.373	.410	.140	.336	Solder Pocket	B	.156/.218	
M8058-1G39	2	6 at 45°	.200	.200	.270	.373	.410	.094	.300	Turret			
8058-1G43	3	6 at 60°	.200	.200	.270	.373	.410	.140	.370	Solder Pocket			
M8058-1G18	3	6 at 45°	.200	.200	.270	.373	.410	.140	.370				
8058-1G42	4	6 at 60°	.200	.200	.270	.373	.410	.317	.561	Printed Circuit			
M8058-1G33	4	6 at 45°	.200	.200	.270	.373	.410	.317	.561				
8058-1G48	6	6 at 60°	.200	.200	.165	N/A	.410	.125	N/A			.125/.155	P
8058-1G52	6	6 at 45°	.200	.200	.165	N/A	.410	.125	N/A				
M8058-1G37	2	8	.200	.200	.270	.373	.410	.094	.336	Turret	B	.156/.218	N
M8058-1G19	3	8	.200	.200	.270	.373	.410	.140	.377	Solder Pocket			
8058-1G19	3	8	.200	.200	.270	.373	.410	.140	.377				
8058-1G57	3	8	.200	.200	.270	.373	.410	.140	.315	Printed Circuit			
M8058-1G32	4	8	.200	.200	.270	.373	.410	.317	.550				
8058-1G32	4	8	.200	.200	.270	.373	.410	.317	.550				
8058-39G1	5	8	.200	.330	.375	.373	.410	.187	.505				
8058-39G3	5	8	.200	.380	.375	.373	.410	.150	.470				
8058-39G5	5	8	.200	.380	.375	.373	.410	.150	.470				
8058-1G49	6	8	.200	.200	.165	N/A	.410	.125	N/A			.125/.155	P
8058-1G47	2	8	.230	.230	.270	.373	.410	.094	.300	Turret	B	.156/.218	N
8058-1G46	3	8	.230	.230	.270	.373	.410	.138	.346	Solder Pocket			
8058-1G45	4	8	.230	.230	.270	.373	.410	.302	.534	Printed Circuit			
8058-39G4	5	8	.230	.380	.375	.373	.410	.155	.467				
8058-39G6	5	8	.230	.380	.375	.373	.410	.150	.467				
8058-1G50	6	8	.230	.230	.165	N/A	.410	.125	N/A			.125/.165	P
M8058-1G38	2	10	.230	.230	.270	.373	.410	.094	.331	Turret	B	.156/.218	N
M8058-1G22	3	10	.230	.230	.270	.373	.410	.141	.377	Solder Pocket			
M8058-1G31	4	10	.230	.230	.270	.373	.410	.317	.561	Printed Circuit			
8058-1G31	4	10	.230	.230	.270	.373	.410	.317	.561				
8058-24G1	5	10	.230	.380	.375	.373	.410	.187	.505				
8058-1G34	6	10	.230	.230	.165	N/A	.410	.125	N/A			.125/.155	P
M8058-1G91	6	10	.230	.230	.165	N/A	.410	.125	N/A			.156/.218	N
8058-1G55	5	12	.250	.380	.375	.373	.410	.155	.467				
8058-1G51	6	12	.280	.280	.165	N/A	.410	.125	N/A			.125/.155	P

\* Dimension E ± .031  
(0.79)

↑  
.155 should be  
.165

H

Need more technical information?  
Consult your Thomas & Betts  
sales office listed on the back cover

H15


Thomas & Betts  
1555 Lynnfield Road  
Memphis, TN 38119  
(901) 682-8221 FAX (901) 537-8805

RELEASED FOR PUBLICATION

ALL RIGHTS RESERVED.

THIS DRAWING IS UNPUBLISHED.

© COPYRIGHT

DIMENSIONS:	DWN	28NOV2006	MATERIAL	FINISH
INCHES	R BROWN			
TOLERANCES UNLESS OTHERWISE SPECIFIED:	CHK	28NOV2006	 TE Connectivity	
0 PLC ± -	K DeBOCK			
1 PLC ± -	APVD	28NOV2006		
2 PLC ± -	K DeBOCK			
3 PLC ± -	PRODUCT SPEC		NAME	SOCKET, 8 PIN PRINTED CIRCUIT
4 PLC ± -	APPLICATION SPEC		SIZE	A4
ANGLES ± -	WEIGHT		CAGE CODE	00779
			DRAWING NO	1437508-5
			RESTRICTED TO	
			SCALE	NTS
			SHEET	2 of 4
			REV	A1
CUSTOMER DRAWING				

LOC	DIST	REVISIONS					
AD	00	P	LTR	DESCRIPTION	DATE	DWN	APVD
		—		SEE SHEET 1	—	—	—

# 8058 & 8060 Series Transistor Sockets

## PART NUMBER / STANDARD CONFIGURATIONS

*Not met length*

Part Number	Figure	Number of Contacts	Pin Circle	A	B	C	D	E*	F Max.	Terminal Style	Mtg. Hole Figure	Transistor Lead Length	Polarization Figure		
8060-1G5	3	3	.100	.100	.268	.227	.255	.146	.350	Solder Pocket	A	.156/.218	N		
8060-1G17	3	3	.100	.100	.320	.227	.255	.084	.427						
8060-1G9	2	3	.100	.100	.268	.227	.255	.094	.372	Turret					
8060-1G11	4	3	.100	.100	.330	.227	.255	.240	.580						
8060-1G7	5	3	.100	.200	.410	.227	.255	.170	.616	Printed Circuit	—	.125/.155	P		
8060-1G3	6	3	.100	.150	.195	N/A	.255	.103	N/A						
8060-1G13	6	3	.100	.100	.195	N/A	.255	.103	N/A						
8060-1G6	3	4	.100	.100	.265	.227	.255	.146	.350	Solder Pocket	A	.156/.218	N		
8060-1G10	2	4	.100	.100	.265	.227	.255	.094	.310	Turret					
8060-1G12	4	4	.100	.100	.330	.227	.255	.240	.553	Printed Circuit	—			.125/.155	P
8060-1G8	5	4	.100	.200	.390	.227	.255	.187	.530						
8060-1G4	6	4	.100	.150	.195	N/A	.255	.103	N/A						
8060-1G22	6	4	.100	.100	.195	N/A	.255	.295	N/A						

\* Dimension E ± .031 (0,79)

All part number prefixed with (M) meet MIL-83502/1 or MIL-83502/6.



**Thomas & Betts**

Quality & Innovation From **AUGAT** Name Brand Products

H16

Thomas & Betts  
1555 Lynnfield Road  
Memphis, TN 38119  
(901) 682-8221 FAX (901) 537-8805

RELEASED FOR PUBLICATION

ALL RIGHTS RESERVED.

THIS DRAWING IS UNPUBLISHED.

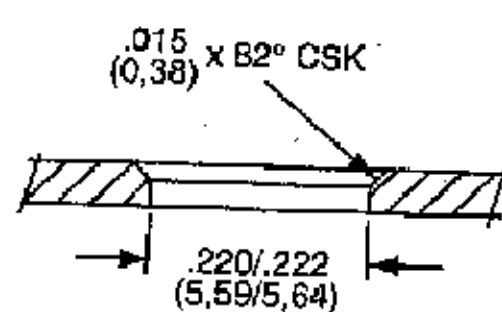
© COPYRIGHT

DIMENSIONS: INCHES	DWN	R BROWN	28NOV2006	MATERIAL	—	FINISH	—
	CHK	K DeBOCK	28NOV2006				
TOLERANCES UNLESS OTHERWISE SPECIFIED:	APVD	K DeBOCK	28NOV2006				
0 PLC ± —	PRODUCT SPEC			NAME			
1 PLC ± —	—			SOCKET, 8 PIN PRINTED CIRCUIT			
2 PLC ± —	APPLICATION SPEC			SIZE	CAGE CODE	DRAWING NO	RESTRICTED TO
3 PLC ± —	—			A4	00779	© 1437508-5	—
4 PLC ± —	WEIGHT			CUSTOMER DRAWING			
ANGLES ± —	—			SCALE	NTS	SHEET	3 OF 4
			REV <b>A1</b>				

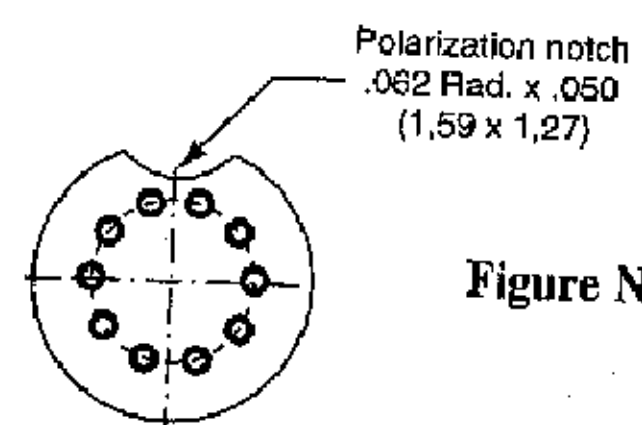
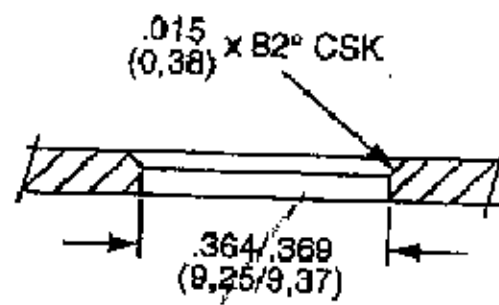
LOC AD	DIST 00	REVISIONS					
		P	LTR	DESCRIPTION	DATE	DWN	APVD
			—	SEE SHEET 1	—	—	—

# Transistor Sockets 8058 & 8060 Series

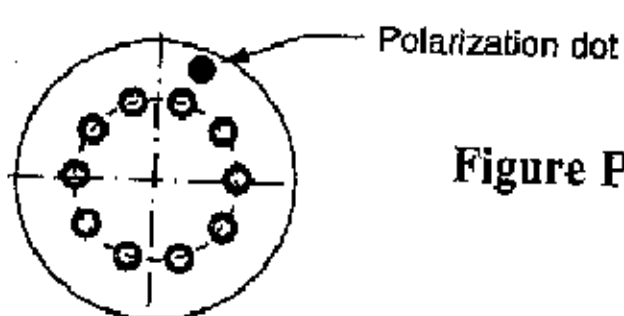
**Figure A**  
Recommended Chassis Cutout  
for all 8060 Series panel  
mount applications



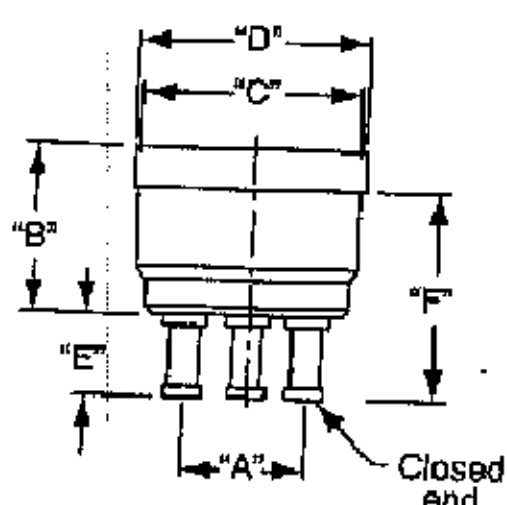
**Figure B**  
Recommended Chassis Cutout  
for all 8058 Series panel  
mount applications



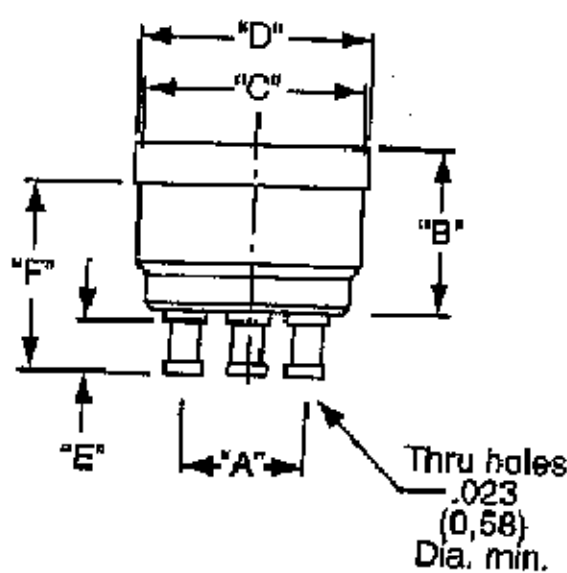
**Figure N**



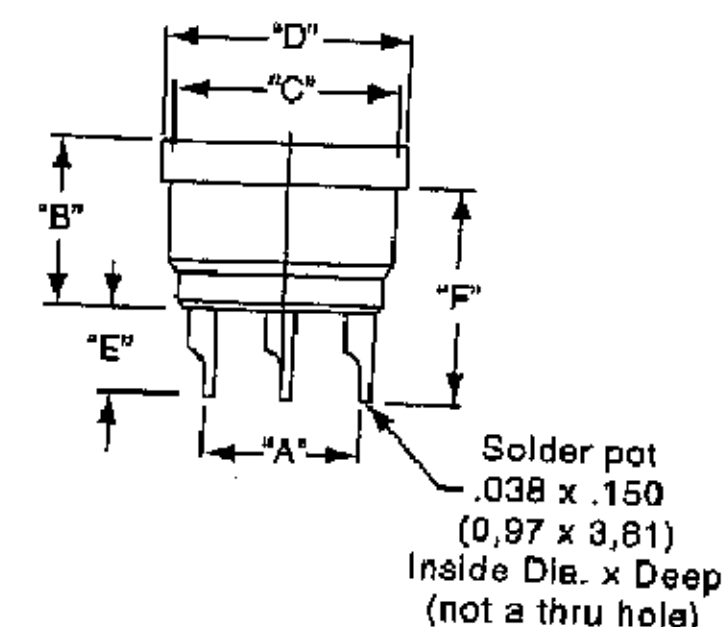
**Figure P**



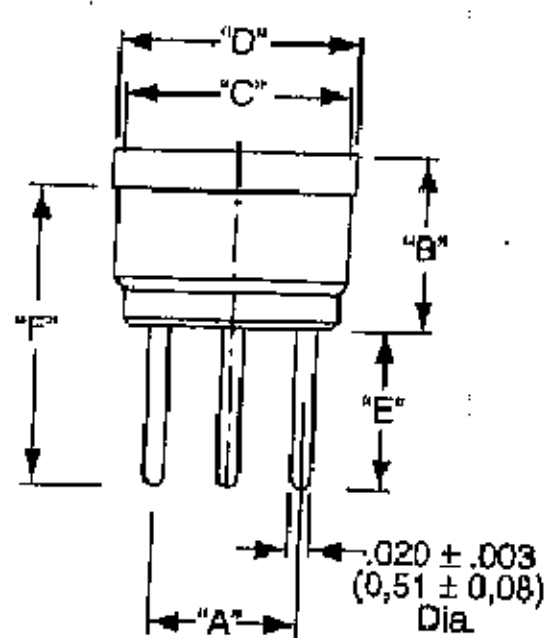
**Figure 1**



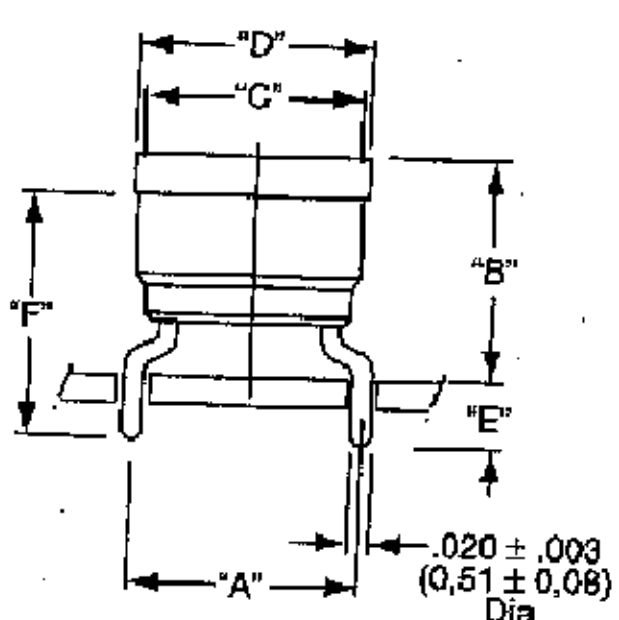
**Figure 2**



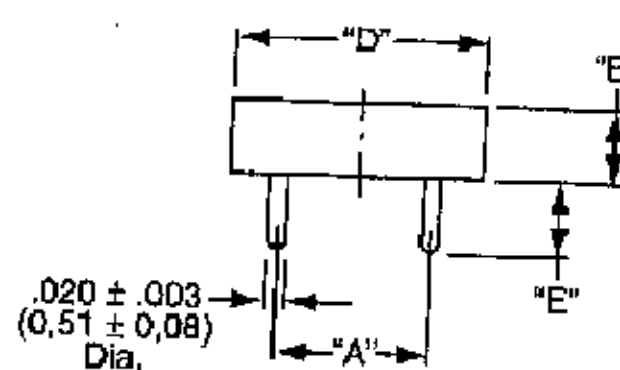
**Figure 3**



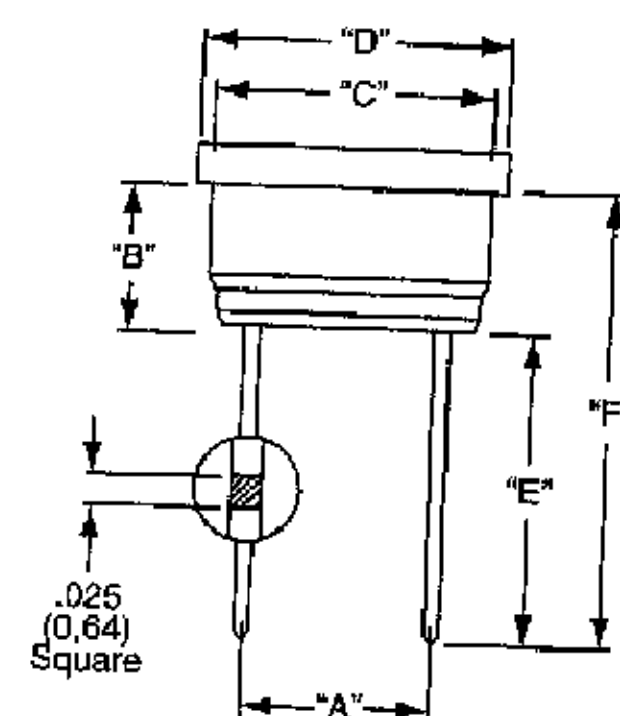
**Figure 4**



**Figure 5**



**Figure 6**



**Figure 7**

**H**

**Need more technical information?**  
Consult your Thomas & Betts  
sales office listed on the back cover

H17


Thomas & Betts  
1555 Lynnfield Road  
Memphis, TN 38119  
(901) 682-8221 FAX (901) 537-8805

RELEASED FOR PUBLICATION

ALL RIGHTS RESERVED.

THIS DRAWING IS UNPUBLISHED.

© COPYRIGHT

DIMENSIONS: INCHES	DWN	R BROWN	28NOV2006	MATERIAL	—	FINISH	—
	CHK	K DeBOCK	28NOV2006	 TE Connectivity			
TOLERANCES UNLESS OTHERWISE SPECIFIED:	APVD	K DeBOCK	28NOV2006				
	PRODUCT SPEC	—		SOCKET, 8 PIN PRINTED CIRCUIT			
0 PLC ± —	APPLICATION SPEC	—		SIZE	A4	CAGE CODE	00779
1 PLC ± —	WEIGHT	—		DRAWING NO	C= 1437508-5		RESTRICTED TO
2 PLC ± —	CUSTOMER DRAWING			SCALE	NTS		SHEET
3 PLC ± —				4 OF 4		REV	A1
4 PLC ± —							
ANGLES ± —							