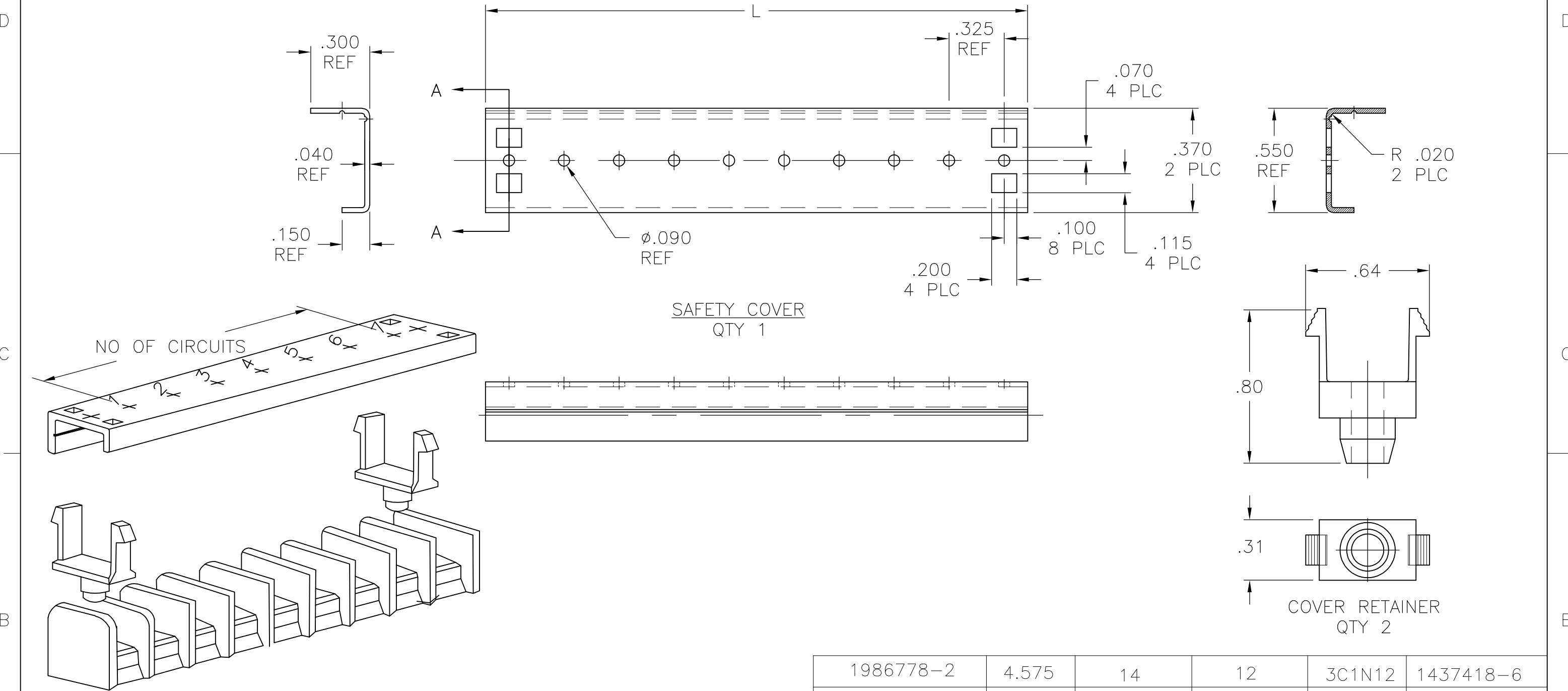


THIS DRAWING IS UNPUBLISHED. RELEASED FOR PUBLICATION
 © COPYRIGHT - By - ALL RIGHTS RESERVED.

LOC FT	DIST 0	REVISIONS			
P	LTR	DESCRIPTION	DATE	DWN	APVD
	B	REVISED PER ECO-15-007842	23JUN2015	NG	PS



1986778-2	4.575	14	12	3C1N12	1437418-6
1986778-2	2.625	8	6	3C1N06	1437418-5
COVER RETAINER QTY=2	DIM L ± 0.040	TOTAL NUMBER OF HOLES	TOTAL NUMBER OF CIRCUITS	CATALOG NUMBER	PART NUMBER

3
3=.325 C/L SPACING

C
COVER MATERIAL YELLOW PVC

1
CLOSED BACK

*
NUMBER OF CIRCUITS

*
N=NO MARKING
F=FORWARD SEQUENCE

THIS DRAWING IS A CONTROLLED DOCUMENT.

DIMENSIONS: INCHES	TOLERANCES UNLESS OTHERWISE SPECIFIED:	DWN RAGHAVENDRA 18AUG11	TE Connectivity 3C1N02=SSB .325 SAFETY COVER				
	0 PLC ± -	CHK MIKE SARVER 18AUG11				NAME	
	1 PLC ± -	APVD MIKE SARVER 18AUG11				PRODUCT SPEC	
MATERIAL	FINISH -	APVD MIKE SARVER 18AUG11				APPLICATION SPEC	SIZE

CUSTOMER DRAWING WEIGHT - SCALE 2:1 SHEET 1 OF 1 REV B